

Product Datasheet

6-port Full Gigabit Industrial Ethernet Fiber Switch (ONV-IPS3064FG)



OVERVIEW

The ONV-IPS3064FG is a full gigabit industrial Ethernet fiber switch independently developed by ONV. It is designed to meet industrial fields and systems and can operate stably for a long time in harsh environments. It has 5*10/100/1000M adaptive RJ45 ports and 1*1000M SFP fiber port, Each port can support full line-rate forwarding.

The ONV-IPS3064FG has excellent industrial field environment adaptability (including mechanical stability, climate adaptability, electromagnetic environment adaptability, etc.). The protection level is IP30. It is suitable for industrial scenes such as intelligent transportation, rail transit, electric power, mining, metallurgy and green energy construction to form a cost-effective and stable communication network. unmanaged mode, plug and play, no configuration, easy to use.

FEATURE

■ Full gigabit Ethernet port

- ◇ Support non-blocking wire-speed forwarding.
- ◇ Support full-duplex based on IEEE802.3x and half-duplex based on backpressure.
- ◇ A combination of Gigabit Ethernet ports and Gigabit SFP port to meet the networking requirements of various scenarios.

■ Stable and reliable

- ◇ CCC, CE, FCC, RoHS.
- ◇ The user-friendly panel can show the device status through the LED indicator of PWR, Link.
- ◇ Low power consumption, no fan, aluminum shell, excellent heat dissipation to ensure the stable operation of the switch.

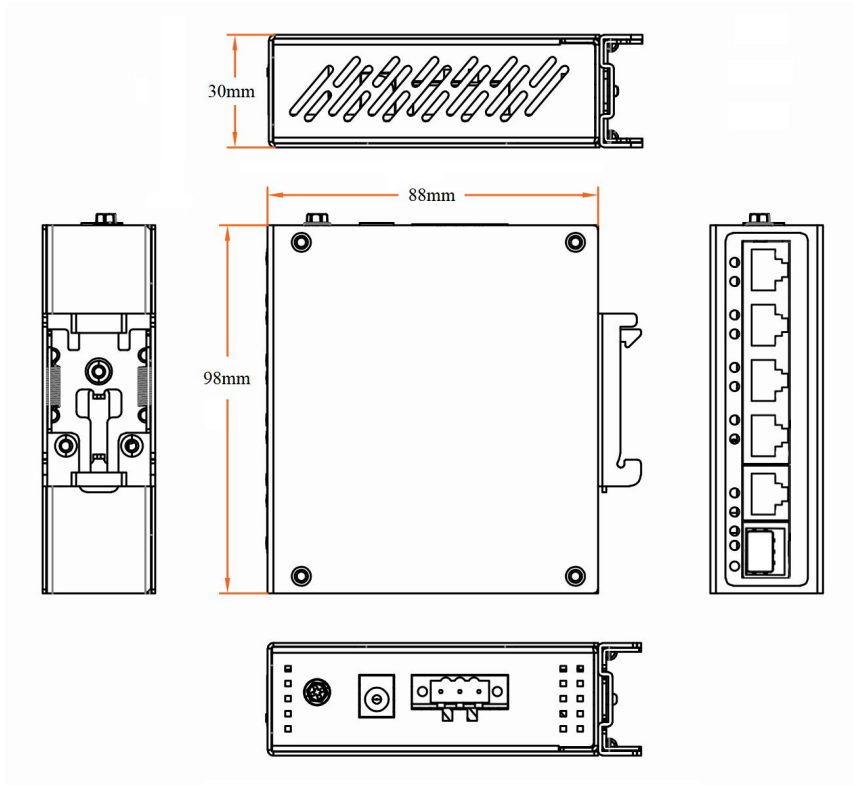
TECHNICAL SPECIFICATION

Model	ONV-IPS3064FG
Interface Characteristics	
Fixed Port	1*DC5521 power socket 5*10/100/1000Base-T RJ45 ports (Data) 1*1000Base-X uplink SFP fiber port(Data) 2 groups V+, V- redundant DC power interface (3P phoenix terminal)
Ethernet Port	Port 1-5 support 10/100/1000Base-T auto-sensing, full/ half duplex MDI/ MDI-X self-adaption
Twisted Pair Transmission	10BASE-T: Cat3,4,5 UTP(≤100 meters) 100BASE-TX: Cat5 or later UTP(≤100 meters) 1000BASE-T: Cat5e or later UTP(≤100 meters)
SFP Slot Port	Gigabit optical fiber interface, default no include optical modules (optional single-mode / multi-mode, single fiber/ dual fiber optical module. LC)

Optical Cable/ Distance	Multi-mode: 850nm/ 0-550m Single-mode: 1310nm/ 0-40km, 1550nm/ 0-120km.
Chip Parameter	
Network Protocol	IEEE802.3 10BASE-T, IEEE802.3i 10Base-T, IEEE802.3u 100Base-TX IEEE802.3ab 1000Base-TX, IEEE802.3z 1000Base-X, IEEE802.3x
Forwarding Mode	Store and Forward (Full Wire Speed)
Switching Capacity	12Gbps
Forwarding Rate@64byte	8.93Mpps
MAC	8K
Buffer Memory	2Mb
Jumbo Frame	9.2KB
LED Indicator	Power:PWR (Green), Network: Link (Green), Fiber port: L/A (Green)
Power Supply	
Power Consumption	Standby<3W, Full load<8W
Power Supply	No, optional 24W/24V industrial power supply
Working Voltage	DC12-48V, 3P industrial Phoenix terminal, support anti-reverse protection.
Physical Parameter	
Operation TEMP/ Humidity	-40~+75°C, 5%~90% RH Non condensing
Storage TEMP/ Humidity	-40~+85°C, 5%~95% RH Non condensing
Dimension (L*W*H)	98*88*30mm
Net /Gross Weight	<0.2kg / <0.3kg
Installation	Desktop, DIN rail
Certification & Warranty	
Lightning Protection	Protection level: IP30 Lightning protection: 6KV 8/20us IEC61000-4-3 (RS):10V/m (80~1000MHz)

	<p>FCC Part 15/CISPR22 (EN55022): Class B</p> <p>IEC61000-6-2 (Common Industrial Standard)</p> <p>IEC61000-4-9 (Pulsed magnet field): 1000A/m</p> <p>IEC61000-4-10 (Damped oscillation): 30A/m, 1MHz</p> <p>IEC61000-4-12/18 (Shockwave): CM 2.5kV, DM 1kV</p> <p>IEC61000-4-4(EFT): Power cable:±4kV, Data cable: ±2kV</p> <p>IEC61000-4-16 (Common-mode transmission): 30V, 300V, 1s</p> <p>IEC61000-4-2 (ESD): ±8kV contact discharge, ±15kV air discharge</p> <p>IEC61000-4-6 (Radio frequency transmission): 10V(150kHz~80MHz)</p> <p>IEC61000-4-8 (Power frequency magnetic field):100A/m, 1000A/m,1s-3s</p> <p>IEC61000-4-5 (Surge): Power cable: CM±4kV/ DM±2kV, Data cable: ±4kV</p>
Mechanical Properties	IEC60068-2-6 (Anti Vibration), IEC60068-2-32 (Free Fall), IEC60068-2-27 (Anti Shock)
Certification	CCC, CE mark, commercial, CE/LVD EN62368-1, FCC Part 15 Class B, RoHS
Warranty	5 years, lifelong maintenance.

DIMENSION

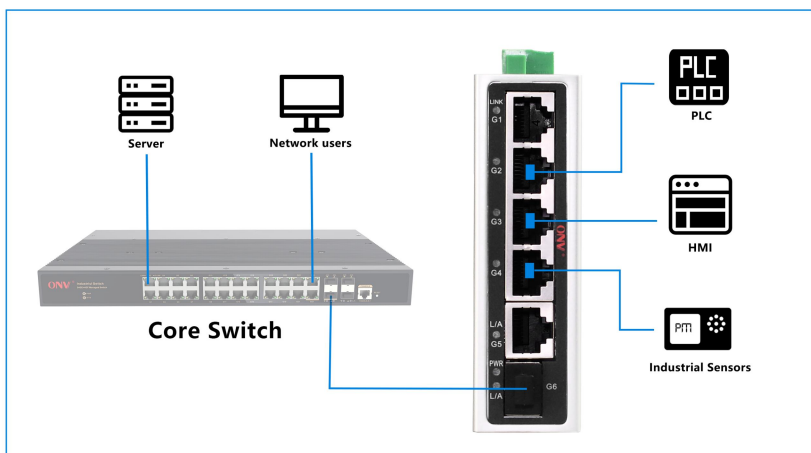


APPLICATION

- Plug and play
- Wide temperature range
- DIN Rail installation

DC: 12-48V (Dual power supply)

Power



ORDERING INFORMATION

Model	Description	Recommended Power Supply
ONV-IPS3064FG	Unmanaged industrial Ethernet switch with 5*10/100/1000M RJ45 ports and 1*1000M SFP fiber port. It can support DC redundant power supply input and DIN rail mounting.	24W/24V

Note: The optical module and power supply are not included by default and need to be purchased.

PACKING LIST

Packing List	Content	Qty	Unit
	6-port full gigabit industrial Ethernet switch	1	SET
	User Guide	1	PC
	Warranty Card	1	PC

OPTICAL MODULE

Product	Model	Description	Unit
1.25G Optical Module	2630-G	Industrial SFP optical module, 1.25G, multi-mode dual fiber 850nm, transmission distance: 550m, LC interface, support DDM function, support hot plug and pull.	PC
	2632-G	Industrial SFP optical module, 1.25G, single-mode dual fiber 1310nm, transmission distance: 20km, LC interface, support DDM function, support hot plug and pull.	PC
	2612-T-G	Industrial SFP optical module, 1.25G, single-mode single fiber TX1310nm/ RX1550nm, transmission distance: 20km, LC interface, support DDM function, support hot plug and pull.	PC
	2613-R-G	Industrial SFP optical module, 1.25G, single-mode single fiber TX1550nm/ RX1310nm, transmission distance: 20km, LC	PC

		interface, support DDM function, support hot plug and pull.	
2612-T-G-SC		Industrial SFP optical module, 1.25G, single-mode single fiber TX1310nm/ RX1550nm, transmission distance: 20km, SC interface, support DDM function, support hot plug and pull.	PC
2613-R-G-SC		Industrial SFP optical module, 1.25G, single-mode single fiber TX1550nm/ RX1310nm, transmission distance: 20km, SC interface, support DDM function, support hot plug and pull.	PC

POWER SUPPLY

Product	Model	Description	Unit
24W DIN Rail Industrial Power Supply	GWS-DP24-24	DIN Rail 24W single set of output power supply Input Voltage: AC100V~240V 50-60H, 0.35A Output Voltage: DC 24V, 1.0A Operation Temperature: -40°C to +70°C	PC

CONTACT US



Optical Network Video Technologies (Shenzhen) Co., Ltd.

Tel: 0086-755-33376606

Fax: 0086-755-33376608

WeChat: ONV-PoE-IoT

Email: onv@onv.com.cn

Skype: onv@onv.com.cn

Website: www.onvcom.com

Headquarter Address: Room 1003, Block D, Terra Building, Futian District, Shenzhen,
China

Factory Address: Floor 4-6, Building A, Senyutai Industrial Park, No. 111, Huaning Road,
Xinshi Community, Dalang Street, Longhua District, Shenzhen, China

