

Product Datasheet

5-port Full Gigabit Industrial Ethernet Switch (ONV-IPS3005)



OVERVIEW

The ONV-IPS3005 is a full gigabit industrial Ethernet switch independently developed by ONV. It is designed to meet industrial fields and systems and can operate stably for a long time in harsh environments. It has 5*10/100/1000M RJ45 ports. Each port can support full line-rate forwarding. The ONV-IPS3005 Ethernet switch has excellent industrial field environment adaptability (including mechanical stability, climate adaptability, electromagnetic environment adaptability, etc.). The protection level is IP30, it can support dual redundant power supply, low power consumption, and no fan. 5-year warranty. It is suitable for industrial scenes such as intelligent transportation, rail transit, electric power, mining, metallurgy, and green energy construction to form a cost-effective and stable communication network. Unmanaged mode, plug and play, no configuration, easy to use.

FEATURE

■ Gigabit wire speed forwarding

- ◇ Support non-blocking wire-speed forwarding.
- ◇ Support full-duplex based on IEEE802.3x and half-duplex based on Backpressure.
- ◇ Support gigabit RJ45 port and dual uplink RJ45 port combination, which enables users to flexibly build networking to meet the needs of various scenarios.

■ Stable and reliable

- ◇ CCC, CE, FCC, RoHS.
- ◇ The user-friendly panel can show the device status through the LED indicator of PWR, Link.
- ◇ Low power consumption, No fan, aluminum shell, excellent heat dissipation to ensure the stable operation of the switch.

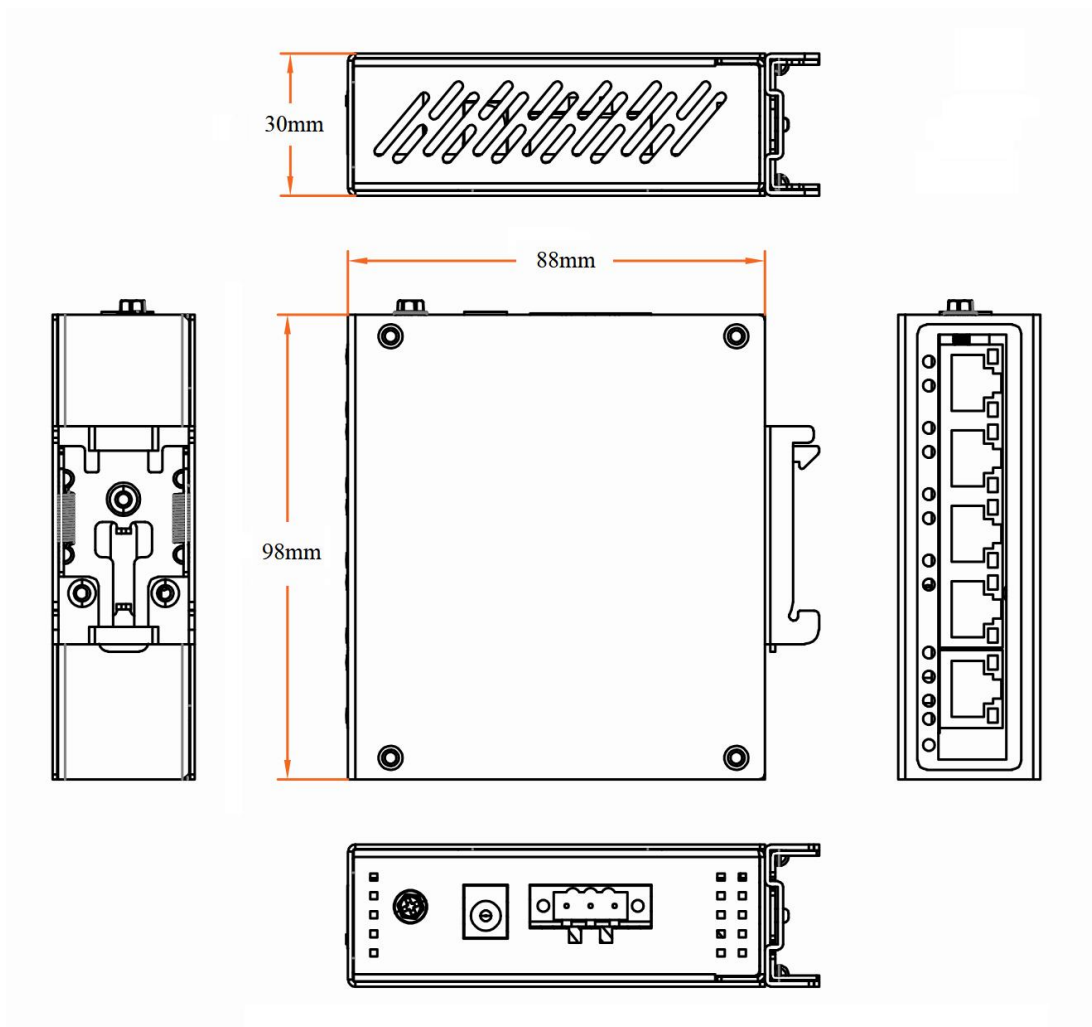
TECHNICAL SPECIFICATION

Model	ONV-IPS3005
Interface Characteristics	
Fixed Port	1*DC5521 power socket 5*10/100/1000Base-T RJ45 ports (Data) 2 set of V+, V- redundant DC power ports (3P Phoenix terminal)
Ethernet Port	Port 1-5 support 10/100/1000Base-T(X) auto-sensing, full/ half duplex MDI/MDI-X self-adaption
Twisted Pair Transmission	10BASE-T: Cat3,4,5 UTP(≤100 meters) 100BASE-TX: Cat5 or later UTP(≤100 meters) 1000BASE-T: Cat5e or later UTP(≤100 meters)
Chip Parameter	
Network Protocol	IEEE802.3 10BASE-T, IEEE802.3i 10Base-T, IEEE802.3u 100Base-TX IEEE802.3u 100Base-TX, IEEE802.3ab 1000Base-T, IEEE802.3x
Forwarding Mode	Store and Forward (Full Wire Speed)




Switching Capacity	12Gbps (no-blocking)
Forwarding Rate@64byte	8.93Mpps
MAC	2K
Buffer Memory	2Mb
Jumbo Frame	9216B
LED Indicator	Power: PWR (Green), Network: LinkG1-G5(Yellow)
Power Supply	
Working Voltage	DC12-48V, 3P industrial phoenix terminal, support anti-reverse protection
Power Consumption	Standby<3W, Full load<5W
Power Supply	No, optional 24W/24V industrial power supply
Physical Parameter	
Operation TEMP / Humidity	-40°C~+75°C, 5%~90% RH Non condensing
Storage TEMP / Humidity	-40°C~+85°C, 5%~95% RH Non condensing
Dimension (L*W*H)	98*88*30mm
Net /Gross Weight	<0.2kg / <0.3kg
Installation	Desktop, DIN rail
Certification & Warranty	
Lightning Protection	Protection level: IP30
	Lightning protection: 6KV 8/20us
	IEC61000-4-3 (RS):10V/m (80~1000MHz)
	FCC Part 15/CISPR22 (EN55022): Class B
	IEC61000-6-2 (Common Industrial Standard)
	IEC61000-4-9 (Pulsed magnet field):1000A/m
	IEC61000-4-10 (Damped oscillation): 30A/m, 1MHz
	IEC61000-4-12/18 (Shockwave): CM 2.5kV, DM 1kV
IEC61000-4-4(EFT): Power cable:±4kV, Data cable: ±2kV	

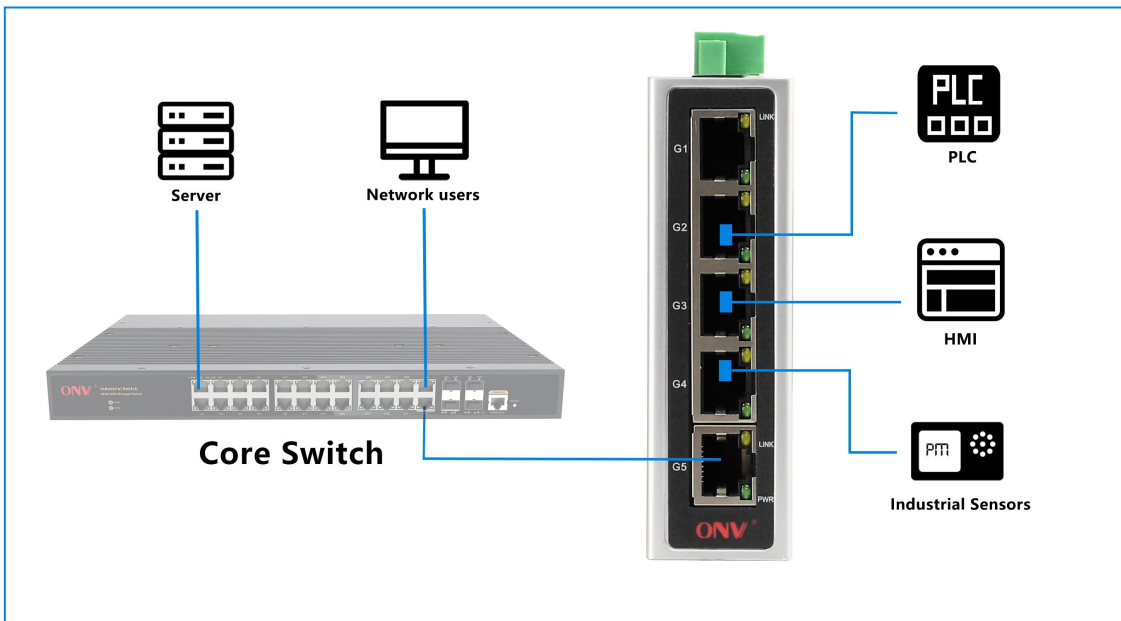
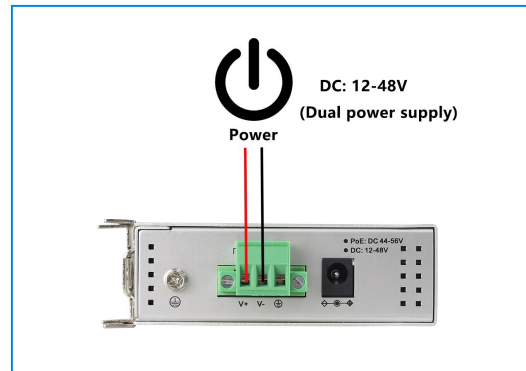
	IEC61000-4-16 (Common-mode transmission): 30V, 300V, 1s IEC61000-4-2 (ESD): $\pm 8\text{kV}$ contact discharge, $\pm 15\text{kV}$ air discharge IEC61000-4-6 (Radio frequency transmission): 10V(150kHz~80MHz) IEC61000-4-5 (Surge): Power cable: CM $\pm 4\text{kV}$ / DM $\pm 2\text{kV}$, Data cable: $\pm 4\text{kV}$ IEC61000-4-8 (Power frequency magnetic field): 100A/m, 1000A/m, 1s to 3s
Mechanical	IEC60068-2-6 (Anti Vibration)
Properties	IEC60068-2-32 (Free Fall), IEC60068-2-27 (Anti Shock)
Certification	CCC, CE mark, commercial, CE/LVD EN62368-1, FCC Part 15 Class B, RoHS
Warranty	5 years, lifelong maintenance.

DIMENSION



APPLICATION

-  **Plug and play**
-  **Wide temperature range**
-  **DIN Rail installation**



ORDERING INFORMATION

Model	Description	Recommended Power Supply
ONV-IPS3005	Unmanaged industrial Ethernet switch with 5*10/100/1000M RJ45 ports. It can support dual DC redundant power input and DIN rail mounting.	24W/24V

Note: The power supply is not included by default and needs to be purchased separately.

PACKING LIST

	Content	Qty	Unit
Packing List	5-port full gigabit industrial Ethernet switch	1	SET
	User Guide	1	PC
	Warranty Card	1	PC

POWER SUPPLY

Product	Model	Description	Unit
24W DIN Rail Industrial Power Supply	GWS-DP24-24	DIN Rail 24W single set of output power supply Input Voltage: AC100V~240V 50-60Hz, 0.35A Output Voltage: DC24V, 1.0A Operation Temperature: -40°C to +70°C	PC

CONTACT US



Optical Network Video Technologies (Shenzhen) Co., Ltd.

Tel: 0086-755-33376606

Fax: 0086-755-33376608

WeChat: ONV-PoE-IoT

Email: onv@onv.com.cn

Skype: onv@onv.com.cn

Website: www.onvcom.com

Headquarter Address: Room 1003, Block D, Terra Building, Futian District, Shenzhen, China

Factory Address: Floor 4-6, Building A, Senyutai Industrial Park, No. 111, Huaning Road, Xinshi

Community, Dalang Street, Longhua District, Shenzhen, China

