

Commercial Managed Ethernet Switch

User Guide

Packing List

- ◆ Ethernet switch/PoE switch (1 PC)
- ◆ Installation kit (1 Set)
- ◆ AC power cord (1 PC)/or DC power adapter (1 set, only for DC input models)
- ◆ Mounting ears (1 pair)
- ◆ User guide (1 PC)
- ◆ Warranty card (1 PC)

First, Safety Precautions

- To ensure the safety of people and equipment, when installing, operating, and maintaining the equipment, follow the signs on the equipment and the safety precautions described in the manual. “Warnings” and “notes” in this manual do not represent all safety precautions that should be followed, and are only supplementary to safety precautions.
- When carrying out various operations of our equipment, we must strictly observe the relevant equipment precautions and special safety instructions provided by ONV company. The "safety warnings" listed in the manual only reflect the requirements of ONV company. The safety requirements have not been reflected, and ONV company will not bear any responsibility for the loss caused by the violation of the general safety operation requirements or the violation of the design production and use equipment safety standards.

Description

- The figures in this document are for reference only. The appearance of the device is subject to actual delivery.
-

Second, the installation environment requirements

- The Ethernet switch support desktop, wall-mounted, and 19”in racked mounted.
- The temperature and humidity of the installation site must be kept within the temperature and humidity range in which the Ethernet switch can work normally. For the normal temperature range and relative humidity range of the Ethernet switch, refer to the Ethernet switch product datasheet.
- PoE switch grounding is an important step in the installation process. The correct connection of the grounding cable is an important guarantee for the switch's lightning protection, high-voltage surge protection, interference protection, and static electricity damage.

Third, lightning protection requirements

- Do not use outdoor overhead wiring. The equipment may be damaged by lightning. Please use buried or steel pipe wiring.
- The switch must be grounded before turning on the power to ensure that the grounding resistance of the installation environment does not exceed 10Ω , otherwise the equipment may be damaged.

Fourth, Pre-commissioning

- If commissioning is required to confirm whether the switch functions are complete, it is recommended to commission the switch before installation.
- The managed PoE switch can pre-configure the switch network management function according to the following operations.

4.1 Log in to the device for the first time through the web management

Login notice

- If the web page displays abnormally, it may be because the browser version is too low. Please upgrade your browser. Google Chrome is recommended first. Refer to the "Web Configuration Guide" for detailed requirements.
-

Login steps

- 1) Power on the switch and confirm that the switch is working normally.
- 2) Use a network cable to connect the computer to any Ethernet port of the switch.
- 3) Configure the computer's IP address to be in the same network segment as the default IP address of the switch.
- 4) Open the browser on the computer, enter 192.168.2.1 in the address bar, press the Enter key, the web

network management login interface will be displayed, enter the user name admin and password system.

Click "OK" or directly press Enter to enter the web network management configuration interface.

- 5) Configure the switch. The web network management configuration interface provides the basic configuration and optional configuration of the device. After configuring the basic configuration, the user can log in to the device through the Web network management; after configuring the optional configuration, you can log in to the device through Telnet. Only the relevant content of the basic configuration is introduced here. For the content of optional configuration and more product information, please refer to the "WEB Configuration Guide" of the corresponding product.

4.2 Login to the device for the first time through the console port

Login notice

- The console cable is shipped with the device. Do not connect cables from other manufacturers to avoid damage to the product.
- Please prepare third-party terminal emulation software (Secure CRT software). For the usage method,

please refer to the software's user guide or online help.

Login steps

- 1) Power on the switch and confirm that the switch's working indicator is normally lit.
- 2) Use the Console cable (RJ45 to DB9 adapter cable) to connect the computer to the Console port of the switch.
- 3) Open the terminal emulation software on the computer, create a new connection, set the connected port and communication parameters. The communication parameter configuration of the computer terminal should be consistent with the default configuration of the switch console port. The default configuration of the switch console port is as follows:

- Transmission rate: 115200
- Data bits: 8
- Verification method: none
- Stop bit: 1

- Flow control method: none
- 4) Press Enter until the following display appears on the emulation terminal, prompting the user to enter the user name and password. When logging in for the first time, the default user name is admin and the password is the system.
- The password entered interactively will not be displayed on the terminal screen. You can now type commands to configure the device. For more information, please refer to the "CLI Command Configuration Guide" of the corresponding product.

Fifth, industrial switch installation

Installation instructions

- ◆ Please select a suitable installation location or cabinet according to the installation method of the switch.
(Rack-mounted installation is suitable for national standard 1U/19 inch cabinet)
- ◆ When installing the switch, you need to use the matching mounting ear accessories and screws.

- ◆ Please wear protective gloves when installing.
- ◆ It is forbidden to install the switch with power on.
- ◆ The exterior paint decoration of the switch should be kept intact. If there is any paint drop, the paint part needs to be touched up immediately to prevent corrosion.

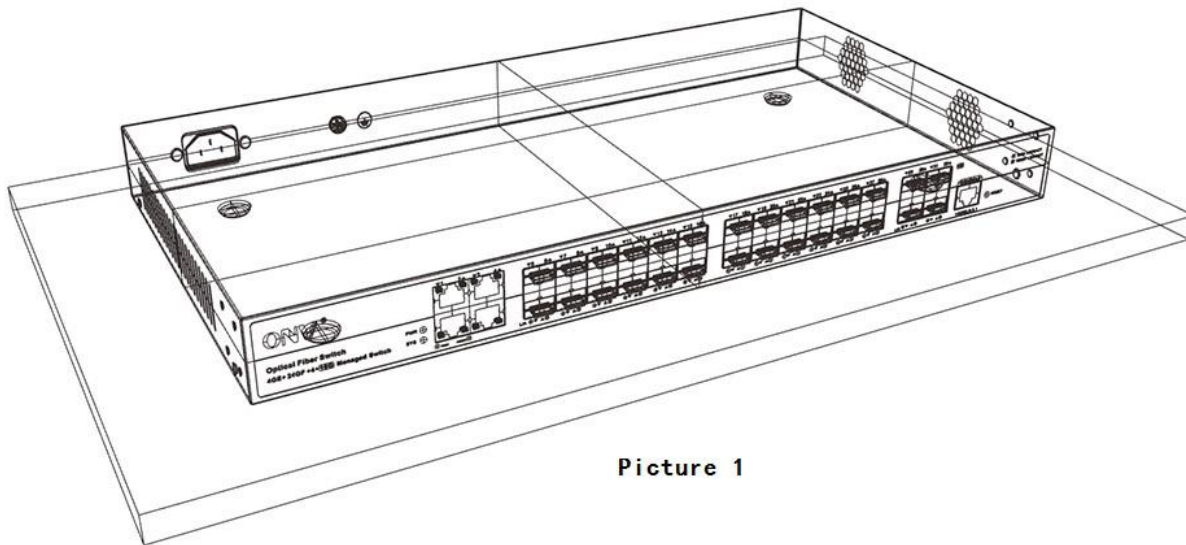
Installation preparation tool

- ◆ Labor protection gloves
- ◆ Plum screwdriver
- ◆ Flat screwdriver

Installation steps

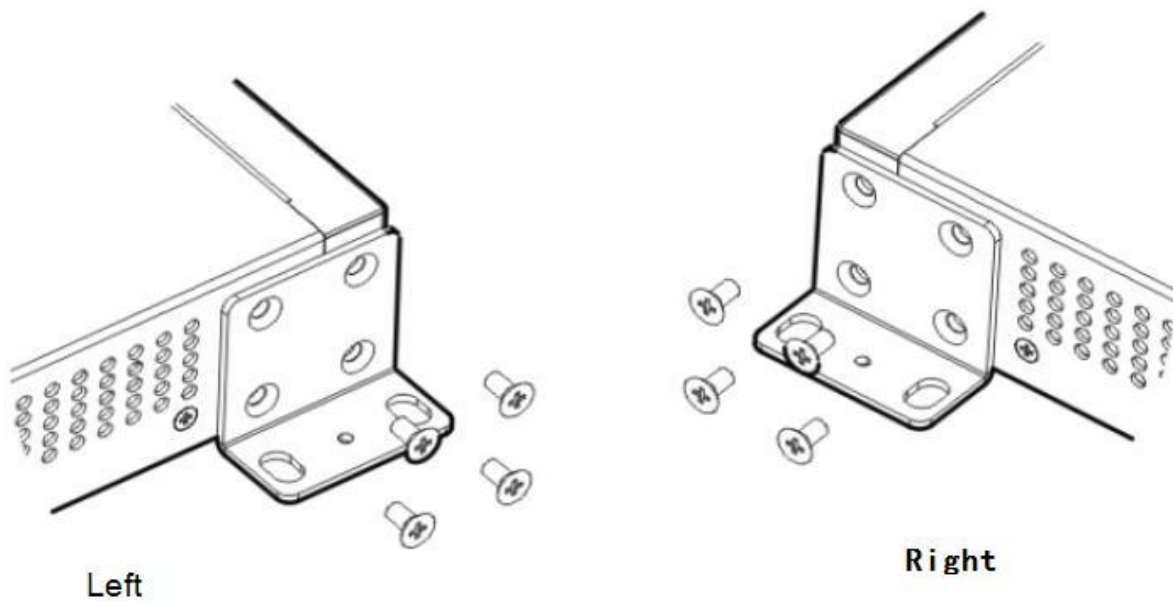
■ Desktop installation

Step 1: As shown in picture 1, lay the switch flat on the desktop, and ensure that at least 10cm of space is reserved on both sides of the vent of the switch so that the switch can be well ventilated and cooled.

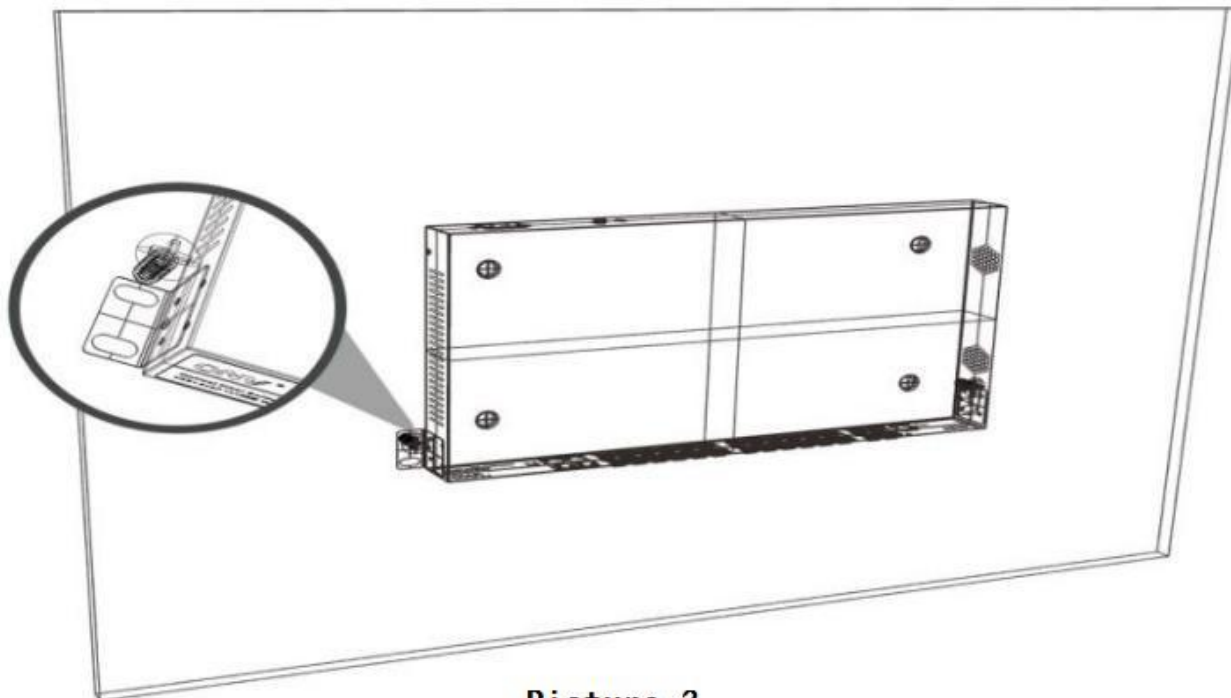


Picture 1

■ Wall-mounted installation



Picture 2

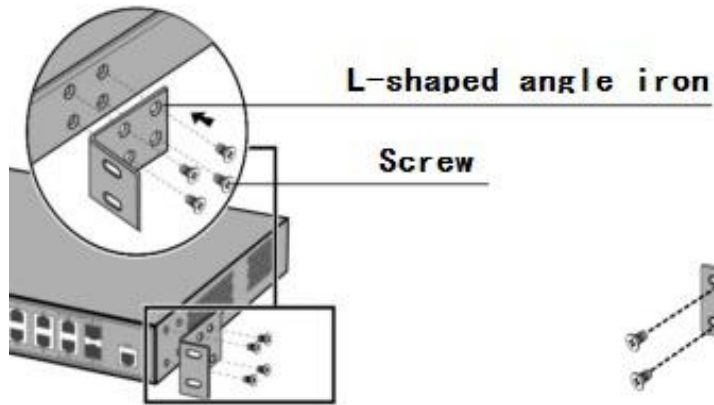


Picture 3

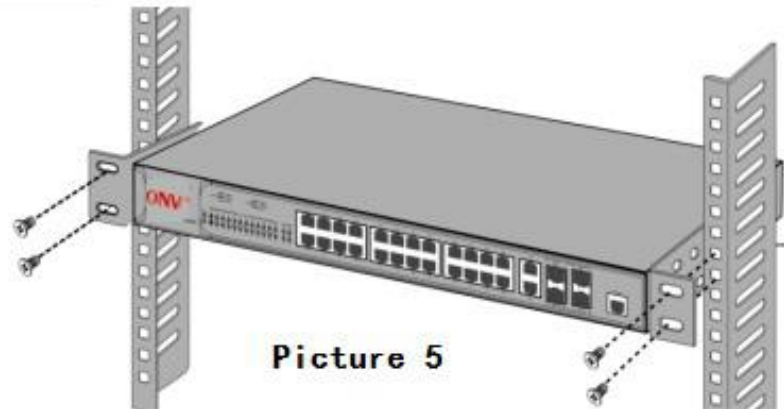
Step 1: As shown in picture 2, find the mounting ears and screws (M3*5mm) from the accessory bag of the machine, then place the switch upright, place the mounting ears to the installation position, and see if the screw holes are aligned properly. After confirming the match, use a Torx screwdriver to fix the hanging ears on both sides of the machine with screws.

Step 2: As shown in picture 3, place the machine in a suitable installation position, measure and mark the location of the positioning holes of the mounting ears. If the installation wall is a wooden board, use self-tapping screws to fix it directly. If the installation wall is a concrete wall, You need to punch + expansion screws to fix.

■ Rack installation



Picture 4



Picture 5

Step 1: As shown in picture 4, first fix the brackets on both sides of the machine with screws.

Step 2: As shown in picture 5, put the machine into a suitable position in a standard 19-inch cabinet, and then fix it on the rack.

Sixth, Connect the switch

- Connect the switch power line to the power supply.
 - The grounding cable is prepared by the user and properly connected to ensure that the switch meets the requirements for safe use.
-



- Before installing or removing the switch or power line, the power must be disconnected, and live operation is prohibited to avoid personal injury.
- Ensure that the protective ground wire of the equipment is effectively grounded. All power cables must not have metal parts exposed in the air.

Seventh, check after installation

- Check whether the mounting parts (hanging ears) are firm and whether the screws are tightened.

- Check whether the polarity of all cable connections is correct, whether the connection is firm and reliable, and ensure that there is no short circuit.
- Check whether there are screw holes without screws and whether the screws of each module are firm.
- Power on and check. Whether the industrial switch has completed the self-check process normally, and whether the indicator of the connected port is normal.

Eighth, indicator and button function table

Symbol	Indicator Function	State	Description	Colour
PWR or P	Work indicator	On	Normal	Green
		Off	Switch no power supply or failure	
		Blink	System abnormality or failure	

PoE	PoE	On	Normal power supply	Green
		Blink	PD device failure or power overload	
		Off	No connected PD or PoE power off	
Link	Network	On	Link is ok	Yellow
		Blink	The link port is receiving/sending data	
		Off	Link failure or port failure	
L/A or F	Optical fiber	On	The optical fiber port is ok	Green
		Blink	The optical fiber port is receiving/sending data	
		Off	Optical fiber failure or port failure	
Speed or 1000M	Port rate	On	Gigabit transmission	Green
		Off	Non-gigabit transmission	
SYS	System	Blink	Normal	Green
		Off	Abnormal or failure	
RST	Reset button	On	Press and release after 10 seconds to reset	—

Reset		factory settings	
-------	--	------------------	--



Optical Network Video Technologies (Shenzhen) Co., Ltd.

Tel: 0086-755-33376606

Fax: 0086-755-33376608

Email: onv@onv.com.cn

Website: www.onvcom.com

Zip: 518000

Headquarter Address: Room 1003, Block D, Terra Building, Futian District, Shenzhen, China

Factory Address: The 4-6th Floor, No. 59, Huaning Road, Xinwei Community, Dalang Street,

Longhua District, Shenzhen, China

