

Product Datasheet

Single Port Gigabit Ultra-high Power PoE Injector

ONV-PSE3401G



OVERVIEW

ONV-PSE3401G is an unmanaged ultra-high power PoE injector independently developed by ONV. It has a 1*10/100/1000M RJ45 port, supports IEEE802.3bt ultra-high power, single port PoE power up to 60W, and the maximum PoE output power is 65W. and It is backward compatible with the IEEE802.3af/at PoE standard. As a PoE power supply device, it can automatically detect and identify the power receiving device that meets the standard and supply power to it through the network cable. It can supply power to POE terminal equipment such as wireless AP, network camera, VoIP, video door intercom, etc. through the network cable, to meet the network environment that requires high-density PoE power supply, suitable for hotels, campuses, parks, attractions, supermarkets, and factories Dormitories and small and medium-sized enterprises form a cost-effective network.

Unmanaged models, plug-and-play, no configuration, simple and convenient to use; PoE injector

provides simple, economic, high-performance, intelligent Ethernet PoE power supply and data communication solutions. It is easy to use, easy to install, superior in performance, and cost-effective. It is an ideal choice for customers to improve project quality. It can expand the traditional power line network, reduce the use of power lines, and effectively reduce the construction cost and maintenance cost of the project under the condition that the power supply cannot be provided at the remote end.

FEATURE

■ 1 in 1 out of the Ethernet port arrangement, easy to connect

- ◇ Using 1 in 1 out (down in and up out) connection mode, 1*10/100/1000Mbps RJ45 port, convenient connection, and simple maintenance.
- ◇ Support non-blocking wire-speed forwarding.

■ Smart PoE power supply function

- ◇ 1*10/100/1000Base-T RJ45 port supports bt PoE, meeting the needs of ultra-high power PoE power supply in various scenarios.
- ◇ The maximum output power of single-port POE is 60W, and backward compatible with the IEEE802.3af/at PoE standard. It automatically recognizes PoE devices for power supply without damaging non-PoE devices.

■ Stable and reliable

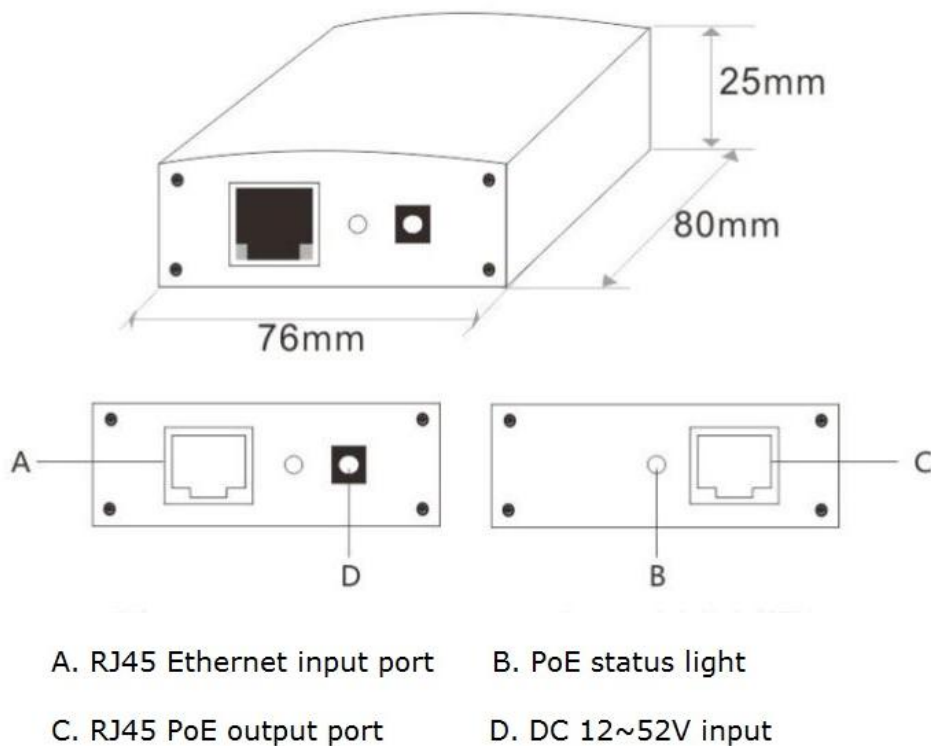
- ◇ CCC, CE, FCC, RoHS.
- ◇ Support desktop and wall-mounted installation.
- ◇ Plug and play, no configuration, simple and convenient.
- ◇ Self-developed power supply, high redundancy design, providing a long term and stable PoE power output.
- ◇ The user-friendly panel can show the device status through the LED indicator of PWR, PoE.
- ◇ Low power consumption, silent fan active heat dissipation design, metal casing to ensure stable operation of the equipment.

TECHNICAL SPECIFICATION

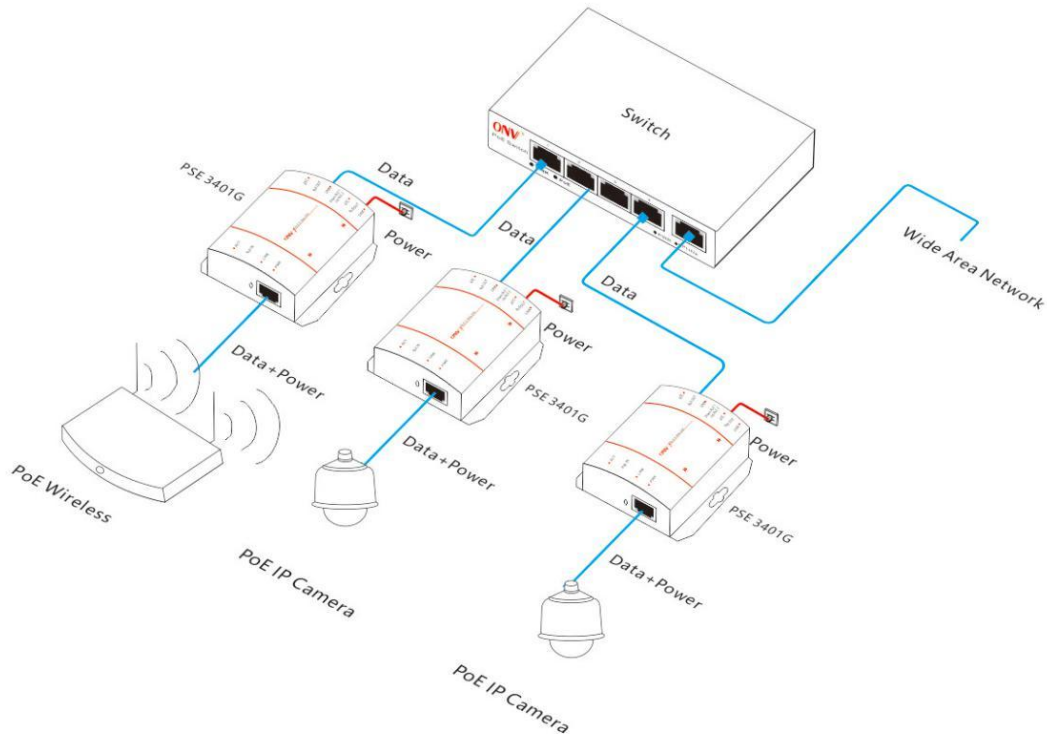
Model	ONV-PSE3401G
Interface Characteristics	
Fixed Port	1*10/100/1000M bt PoE port (Data /Power) 1*10/100/1000M uplink RJ45 port (Data)
Ethernet Port	10/100/1000Base-T(X) auto-sensing, full/half duplex MDI/MDI-X self-adaption
Twisted Pair Transmission	10BASE-T: Cat3,4,5 UTP(≤100 meter) 100BASE-TX: Cat5 or later UTP(≤100 meter) 1000BASE-T: Cat5e or later UTP(≤100 meter)
Network Protocol and Indicator	
Network Protocol	IEEE802.3 10BASE-T, IEEE802.3i 10Base-T IEEE802.3u 100Base-TX, IEEE802.3u 1000Base-T IEEE802.3z 1000Base-X, IEEE802.3x
LED Indicator	Power: PWR (green), PoE: PoE (green)
PoE & Power Supply	
PoE Port	Port 1 support bt POE and backward compatible with IEEE802.3af/at @ POE
Power Supply Pin	Default 1/2 (+), 3/6 (-), optional 4/5 (+), 7/8 (-)
Max Power Per Port	60W, IEEE802.3af/at/bt
Total PWR / Input Voltage	65W /57VDC
Power Consumption	Standby<3W, Full Load<60W
Power Supply	External power adapter, DC input voltage: 12~52V
Physical Parameter	
Operation TEMP / Humidity	-20~+55°C, 5%~90% RH Non condensing

Storage TEMP / Humidity	-40~+80°C, 5%~95% RH Non condensing
Dimension (L*W*H)	80*76*25mm
Net /Gross Weight	<0.12kg /<0.2kg
Installation	Desktop, wall-mounted
Certification & Warranty	
Lightning protection / protection level	Lightning protection: 4KV 8/20us, Protection level: IP30
Certification	CCC;CE mark, commercial; CE/LVD EN60950;FCC Part 15 Class B; RoHS
Warranty	3 years, lifelong maintenance.

DIMENSION



APPLICATION



ORDERING INFORMATION

Model	Description	Power Supply
ONV-PSE3401G	Single port gigabit ultra-high power PoE injector support bt POE, and is backward compatible with IEEE802.3af/at standard POE. Single-port PoE power is 60W, the maximum PoE output power of the device is 65W. The uplink RJ45 port support PoE output and the downlink RJ45 port supports network connection. supporting desktop and wall-mounted installation.	110W

PACKING LIST

PACKING LIST	CONTENT	QTY	UNIT
	Single port gigabit ultra-high power PoE injector	1	SET
	User Guide	1	PC
	Warranty Card	1	PC

RELATED PRODUCT

Model	Description
ONV-PSE3401	Single port 10/100M ultra-high power PoE injector support bt POE, and is backward compatible with IEEE802.3af/at standard POE. Single-port PoE power is 60W, the maximum PoE output power of the device is 65W. The uplink RJ45 port support PoE output and the downlink RJ45 port supports network connection. supporting desktop and wall-mounted installation.
ONV-PSE3401G	Single port gigabit ultra-high power PoE injector support bt POE, and is backward compatible with IEEE802.3af/at standard POE. Single-port PoE power is 60W, the maximum PoE output power of the device is 65W. The uplink RJ45 port support PoE output and the downlink RJ45 port supports network connection. supporting desktop and wall-mounted installation.
ONV-PSE3501	Single port 10/100M ultra-high power PoE injector support bt POE, and is backward compatible with IEEE802.3af/at standard POE. Single-port PoE power is 95W, the maximum PoE output power of the device is 110W. The uplink RJ45 port support PoE output and the downlink RJ45 port supports network connection. supporting desktop and wall-mounted installation.

ONV-PSE3501G

Single port gigabit ultra-high power PoE injector support bt POE, and is backward compatible with IEEE802.3af/at standard POE. Single-port PoE power is 95W, the maximum PoE output power of the device is 110W. The uplink RJ45 port support PoE output and the downlink RJ45 port supports network connection. supporting desktop and wall-mounted installation.

CONTACT US

ONV OPTICAL NETWORK VIDEO TECHNOLOGIES (SHENZHEN) CO., LTD

Tel: 0086-755-33376606

Fax: 0086-755-33376608

Email: onv@onv.com.cn

Website: www.onvcom.com

Zip: 518000

Headquarter Address: Room 1003, Block D, Terra Building, Futian District, Shenzhen, China

Factory Address: The 4-6th Floor, No. 59, Huaning Road, Xinwei Community, Dalang Street, Longhua District, Shenzhen, China

