

Product Datasheet

51-port Gigabit Uplink PoE Fiber Switch

(ONV-POE31048PF)



OVERVIEW

The ONV-POE31048PF is an unmanaged PoE fiber switch independently developed by ONV. It has 48*10/100M PoE ports and 1*10/100/1000M uplink RJ45 port and 2*1000M TP/SFP ports (Combo port). Port 1-48 can support IEEE802.3af/at standard PoE. Single port PoE power reaches 30W, and the maximum PoE output power is 600W. As a PoE power supply device, it can automatically detect and recognize the power receiving equipment that meets the standard and supply power through the network cable. It can supply power to POE terminal equipment such as wireless AP, webcam, VoIP, visual intelligent building intercom through network cable, and meet the network environment that needs high-density PoE power supply. It is suitable for hotel, campus, factory dormitory and small and medium-sized enterprises.

Unmanaged model, plug and play, no configuration, easy to use.

FEATURE

■ 10/100M access, gigabit TP/SFP combo port uplink

- ◇ Support 10/100M RJ45 port and gigabit TP/SFP port combination, which enables users to flexibly build networking to meet the needs of various scenarios.
- ◇ Support non-blocking wire-speed forwarding.
- ◇ Support full-duplex based on IEEE802.3x and half-duplex based on backpressure.

■ Intelligent PoE power supply

- ◇ 48*10/100Base-TX RJ45 ports, meeting the needs of security monitoring, teleconferencing system, wireless coverage, and other scenarios.
- ◇ IEEE802.3af/at PoE standard, without damaging non-PoE devices.
- ◇ Priority system for PoE port, it will supply power to the high priority level port first when the power budget is insufficient and avoid overwork of the device.

■ Stable and reliable

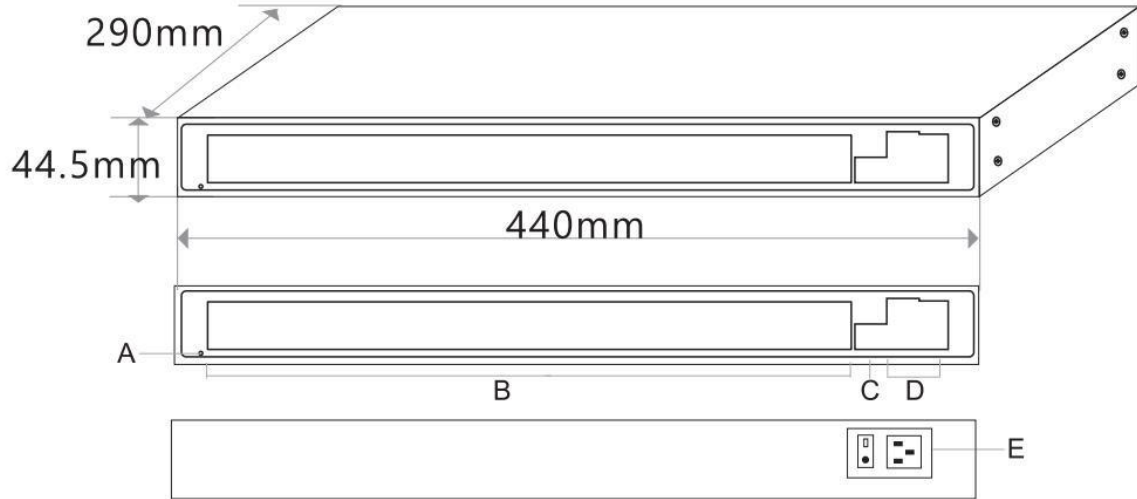
- ◇ CCC, CE, FCC, RoHS.
- ◇ Plug and play, no configuration, simple and convenient.
- ◇ Low power consumption, galvanized steel casing, The fan active cooling.
- ◇ The user-friendly panel can show the device status through the LED indicator of PWR, Link, PoE.
- ◇ Self-developed power supply, high redundancy design, providing a long term and stable PoE power output.

TECHNICAL SPECIFICATION

Model	ONV-POE31048PF
Interface Characteristics	
Fixed Port	48*10/100M PoE ports (Data /Power) 1*10/100/1000M RJ45 port (Data) 2*1000M uplink TP/SFP ports (Combo port) (Data)
Ethernet Port	10/100Base-T(X), 10/100/1000Base-T, auto-sensing, full/half duplex MDI/MDI-X self-adaption
Twisted Pair Transmission	10BASE-T: Cat3,4,5 UTP(≤100 meter) 100BASE-TX: Cat5 or later UTP(≤100 meter) 1000BASE-T: Cat5e or later UTP(≤100 meter)
Chip Parameter	
Network Protocol	IEEE802.3 10BASE-T, IEEE802.3i 10Base-T, IEEE802.3u 100Base-TX IEEE802.3ab 1000Base-T, IEEE802.3z 1000Base-X, IEEE802.3x
Forwarding Mode	Store and Forward(Full Wire Speed)
Switching Capacity	30Gbps
Forwarding Rate@64byte	11.61Mpps
MAC	16K
Buffer Memory	4M
Jumbo Frame	10K
LED Indicator	Power: PWR (green), Network:Llink (yellow), PoE: PoE (green)
Reset Switch	Yes, One-button factory reset
PoE & Power Supply	
PoE Port	Port 1 to 48
Power Supply Pin	Default 1/2 (+), 3/6 (-), optional 4/5(+), 7/8(-)
Max Power Per Port	30W, IEEE802.3af/at

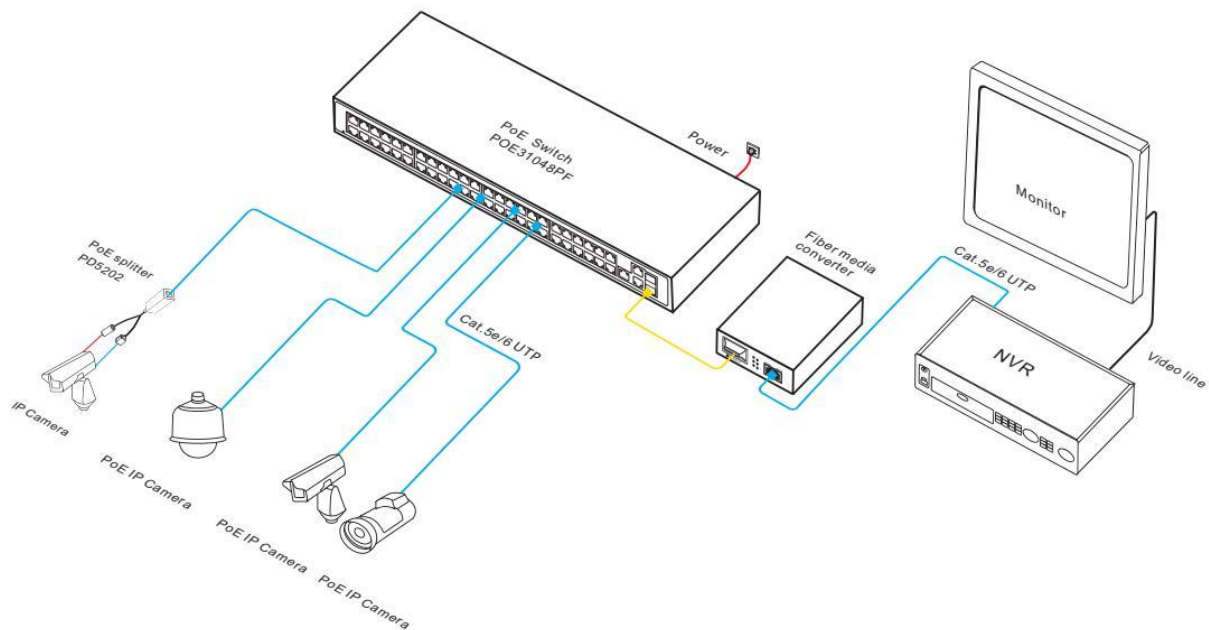
Total PWR / Input Voltage	600W (AC100-240V)
Power Consumption	Standby<35W, Full load<600W
Power Supply	Built-in power adapter, AC 100~240V 50-60Hz 6.6A
Physical Parameter	
Operation TEMP / Humidity	-20~+55°C, 5%~90% RH Non condensing
Storage TEMP / Humidity	-40~+75°C, 5%~95% RH Non condensing
Dimension (L*W*H)	440*290*44.5mm
Net /Gross Weight	<3.0kg / <3.8kg
Installation	Desktop, 19 inch 1U cabinet
Certification & Warranty	
Lightning Protection / Protection Level	Lightning protection: 4KV 8/20us; Protection level: IP30
Certification	CCC, CE mark, commercial, CE/LVD EN60950, FCC Part 15 Class B RoHS
Warranty	3 years, lifelong maintenance.

DIMENSION



- A. Working indicator
- B. 48*10/100M PoE ports
- C. 1*10/100/1000M uplink RJ45 port
- D. 2*1000M uplink TP/SFP (combo port)
- E. Power input port AC100-240V,50/60Hz

APPLICATION



ORDERING INFORMATION

Model	Description	Built-in Power Adapter
ONV-POE31048PF	Unmanaged PoE fiber switch with 48*10/100M RJ45 ports and 1*10/100/1000M uplink RJ45 port and 2*1000M uplink uplink TP/SFP ports (combo port). Port 1-48 support IEEE802.3af/at PoE standard. Support 1U/19 inch rack installation.	600W

Note: The PoE switch is not included SFP optical module by default and needs to be purchased separately.

PACKING LIST

	CONTENT	QTY	UNIT
PACKING LIST	51-port gigabit uplink PoE fiber switch	1	SET
	AC power cable	1	PC
	Mounting Kits	1	SET
	User Guide	1	PC
	Warranty Card	1	PC

CONTACT US



Optical Network Video Technologies (Shenzhen) Co., Ltd.

Tel: 0086-755-33376606

Fax: 0086-755-33376608

Email: onv@onv.com.cn

Website: www.onvcom.com

Zip: 518000

Headquarter Address: Room 1003, Block D, Terra Building, Futian District, Shenzhen, China

Factory Address: The 4-6th Floor, No. 59, Huaning Road, Xinwei Community, Dalang Street,
Longhua District, Shenzhen, China

