

Product Datasheet

52-port Full Gigabit Managed PoE Fiber Switch

ONV-POE33052PFM



OVERVIEW

The ONV-POE33052PFM is a full gigabit managed PoE switch independently developed by ONV. It has 48*10/100/1000Base-T RJ45 ports and 4*100/1000Base-X SFP fiber slot ports. Port 1-48 can support IEEE802.3af/at standard PoE power supply. single port PoE power reaches 30W. As a PoE power supply device, it can automatically detect and recognize the power receiving equipment that meets the standard and supply power through the network cable. It can supply power to POE terminal equipment such as wireless AP, webcam, VoIP phone, building visual access control intercom, etc. through network cable, to meet the network environment that needs high-density PoE power supply. It is suitable for hotels, campuses, parks, shopping malls, scenic spots, hospitals, factory dormitory and small and medium-sized enterprise.

The ONV-POE33052PFM has L2+full Web management function, supports IPV4 management, static route full line rate forwarding, complete security protection mechanism, complete ACL/QoS policy and rich VLAN functions, and is easy to manage and maintain. Supports multiple network redundancy protocols STP/RSTP/MSTP (<50ms) to improve link backup and network reliability. When one-way network fails,

communication can be quickly restored to ensure important Uninterrupted communication for applications. According to the actual application requirements, you can configure multiple application services such as PoE power management, port traffic control, VLAN division, and SNMP through the Web management mode.

FEATURE

■ Gigabit wire speed access, SFP port uplink

- ◇ Supports Gigabit Ethernet port and gigabit SFP uplink port combination, which enables users to flexibly build networking to meet the needs of various scenarios.
- ◇ Support non-blocking wire-speed forwarding.
- ◇ Support full-duplex based on IEEE802.3x and half-duplex based on backpressure.

■ Intelligent PoE power supply

- ◇ 48*10/100/1000Base-T RJ45 ports, meeting the needs of security monitoring, teleconferencing system, wireless coverage, and other scenarios.
- ◇ IEEE802.3af/at PoE standard, without damaging non-PoE devices.
- ◇ Priority system for PoE port, it will supply power to the high priority level port first when the power budget is insufficient and avoid overwork of the device.
- ◇ PoE network management, realize PoE port power allocation, priority setting, port power status viewing, time scheduling, etc.

■ Strong business processing capability

- ◇ IEEE802.1Q VLAN, flexible VLAN division, and QinQ configuration.
- ◇ QoS, Priority mode based on 802.1P, Port & DSCP, queue scheduling algorithm including Equ, SP, WRR & SP+WRR.
- ◇ ALC, filter data packet through configuring matching rules, processing operation & time permission, and provide flexible and safe access control.

- ◇ IGMP V1/V2 and IGMP Snooping.
- ◇ STP/RSTP/MSTP.
- ◇ Static and dynamic aggregation.

■ Security

- ◇ 802.1X authentication.
- ◇ Port isolation, Storm control.
- ◇ IP-MAC-VLAN-Port binding.

■ Stable and reliable

- ◇ Low power consumption, galvanized steel casing, The Fan active cooling.
- ◇ Self-developed power supply, high redundancy design, providing a long term and stable PoE power output.
- ◇ CCC, CE, FCC, RoHS.
- ◇ The user-friendly pane can show the device status through the LED indicator of PWR, Link, PoE.

■ Easy operation and maintenance management

- ◇ Web management, CLI command line (Console, Telnet), SNMP (V1/V2/V3).
- ◇ HTTPS, SSLV3, and SSHV1/V2.
- ◇ RMON, system log, LLDP, and port traffic statistics.
- ◇ CPU monitoring, memory monitoring, Ping test, and cable diagnose.

TECHNICAL SPECIFICATION

Model	ONV-POE33052PFM
Interface Characteristics	
Fixed Port	48*10/100/1000Base-T PoE ports (Data/Power) 4*100/1000Base-X uplink SFP slot ports(Data) 1*RS232 console port(115200,N,8,1)
Ethernet Port	Port 1-48 can support 10/100/1000BaseT(X) auto detect, full/half duplex MDI/MDI-X adaptive
Twisted Pair Transmission	10BASE-T: Cat3,4,5 UTP(≤100 meter) 100BASE-TX: Cat5 or later UTP(≤100 meter) 1000BASE-T: Cat5e or later UTP(≤100 meter)
SFP Slot Port	Gigabit SFP optical fiber interface, default optical modules (optional single-mode / multi-mode, single fiber / dual fiber optical module. LC)
Optical Cable/ Distance	Multi-mode:850nm / 0~500M (1.25G), Single-mode:1310nm / 0~40KM, 1550nm / 0~120KM.
Chip Parameter	
Network Management Type	L2+
Network Protocol	IEEE802.3 10BASE-T, IEEE802.3i 10Base-T, IEEE802.3u 100Base-TX IEEE802.3ab 1000Base-T, IEEE802.3z 1000Base-X, IEEE802.3x
Forwarding Mode	Store and Forward(Full Wire Speed)
Switching Capacity	368Gbps (Non-blocking)
Forwarding Rate@64byte	77.38Mpps
CPU	750MHz
DRAM	1G
FLASH	256M

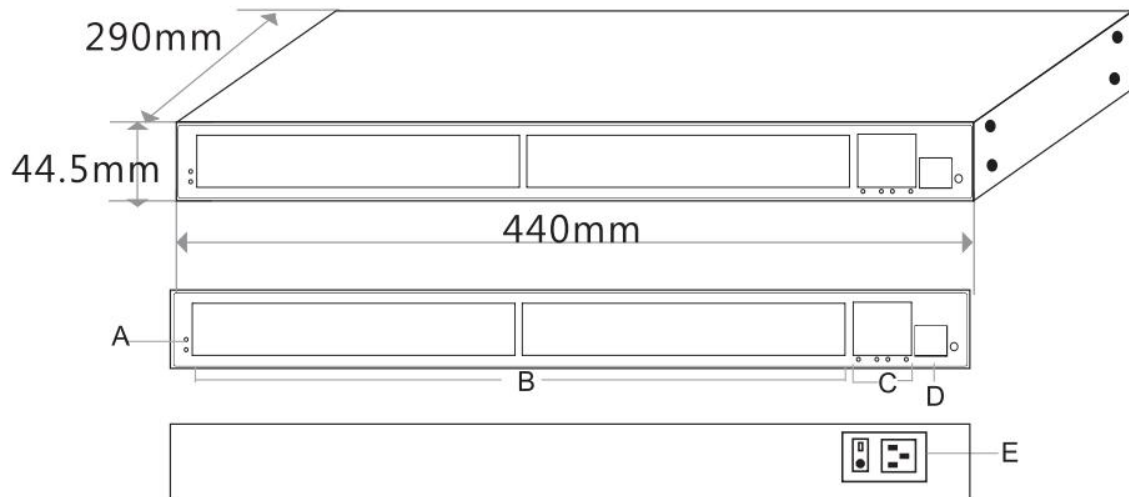
MAC	16K
Buffer Memory	12M
Jumbo Frame	10K
LED Indicator	Power: PWR (Yellow), System: SYS (Yellow), Network: Link/Act (Yellow), PoE: PoE (Green), Fiber port: L/A(Green)
Reset Switch	Yes, One-button factory reset
PoE & Power Supply	
PoE Port	Port 1 to 48
PoE Management	PoE working status Delay start of power supply PoE output priority configuration Scheduling of PoE operation and time Total power limit of PoE power supply PoE output power allocation, off& af &at
Power Supply Pin	Default 1/2 (+), 3/6 (-)
Max Power Per Port	30W; IEEE802.3af/at
Total PWR / Input Voltage	600W (AC100-240V)
Power Consumption	Standby<35W, Full Load<600W
Power Supply	Built-in power supply, AC 100~240V 50-60Hz 6.6A
Physical Parameter	
Operation TEMP / Humidity	-20~+55°C, 5%~90% RH Non condensing
Storage TEMP / Humidity	-40~+75°C, 5%~95% RH Non condensing
Dimension	440*290*44.5mm

(L*W*H)	
Net /Gross Weight	<4.8kg / <5.5kg
Installation	Desktop, 19 inch 1U cabinet
Certification & Warranty	
Lightning Protection / Protection Level	Lightning protection: 4KV 8/20us; Protection level: IP30
Certification	CCC;CE mark, commercial; CE/LVD EN60950;FCC Part 15 Class B; RoHS
Warranty	3 years, lifelong maintenance.
Network Management Features	
Interface	IEEE802.3X (Full-duplex) Port temperature protection setting Port green Ethernet Energy-saving setting Broadcast storm control based on port speed The speed limit of the message flow in the access port. The minimum particle size is 64Kbps.
Layer 3 Features	IPV4 static route/default route, maximum 128 entries L2+ network management, ARP protocol, maximum 1024 entries
VLAN	VLAN based on MAC, QinQ configuration Port configuration of Access, Trunk, Hybrid 4K VLAN based on port, IEEE802.1q,VLAN based on the protocol
Port Aggregation	LACP, Static aggregation Max 26 aggregation groups and 8 ports per group.
Spanning Tree	STP (IEEE802.1d), RSTP (IEEE802.1w), MSTP (IEEE802.1s)
Multicast	MLD Snooping v1/v2,Multicast VLAN IGMP Snooping v1/v2, Max 1024 multicast groups, Fast log out
Port Mirroring	Bidirectional data mirroring based on port
QoS	Flow-based Rate Limiting

	<p>Flow-based Packet Filtering</p> <p>8*Output queues of each port</p> <p>802.1p/DSCP priority mapping</p> <p>Diff-Serv QoS, Priority Mark/Remark</p> <p>Queue Scheduling Algorithm (SP, WRR, SP+WRR)</p>
ACL	<p>Port-based Issuing ACL, ACL based on port and VLAN</p> <p>L2 to L4 packet filtering, matching first 80 bytes message. Provide ACL based on MAC, Destination MAC address, IP Source, Destination IP, IP Protocol Type, TCP/UDP Port, TCP/UDP Port Range, and VLAN, etc.</p>
Security	<p>IP-MAC-VLAN-Port binding</p> <p>ARP inspection, Anti-DoS attack</p> <p>AAA & RADIUS, MAC learning limit</p> <p>Mac black holes, IP source protection</p> <p>IEEE802.1X & MAC address authentication</p> <p>Broadcast storm control, Backup for host datum</p> <p>SSH 2.0, SSL, Port isolation, ARP message speed limit</p> <p>User hierarchical management and password protection</p>
DHCP	<p>DHCP Client, DHCP Snooping, DHCP Server, DHCP Relay</p>
Management	<p>One-key recovery</p> <p>Cable Diagnose, LLDP</p> <p>Web Management (HTTPS)</p> <p>NTP, System work log, Ping Test</p> <p>CPU instant utilization status view</p> <p>Console/AUX Modem/Telnet/SSH2.0 CLI</p> <p>Download & Management on FTP, TFTP, Xmodem, SFTP, SNMP</p> <p>V1/V2C/V3</p> <p>ONV NMS - smart network management system platform (LLDP+SNMP)</p>
System	<p>Category 5 Ethernet network cable</p> <p>Web browser: Mozilla Firefox 2.5 or higher, Google browser chrome V42</p>

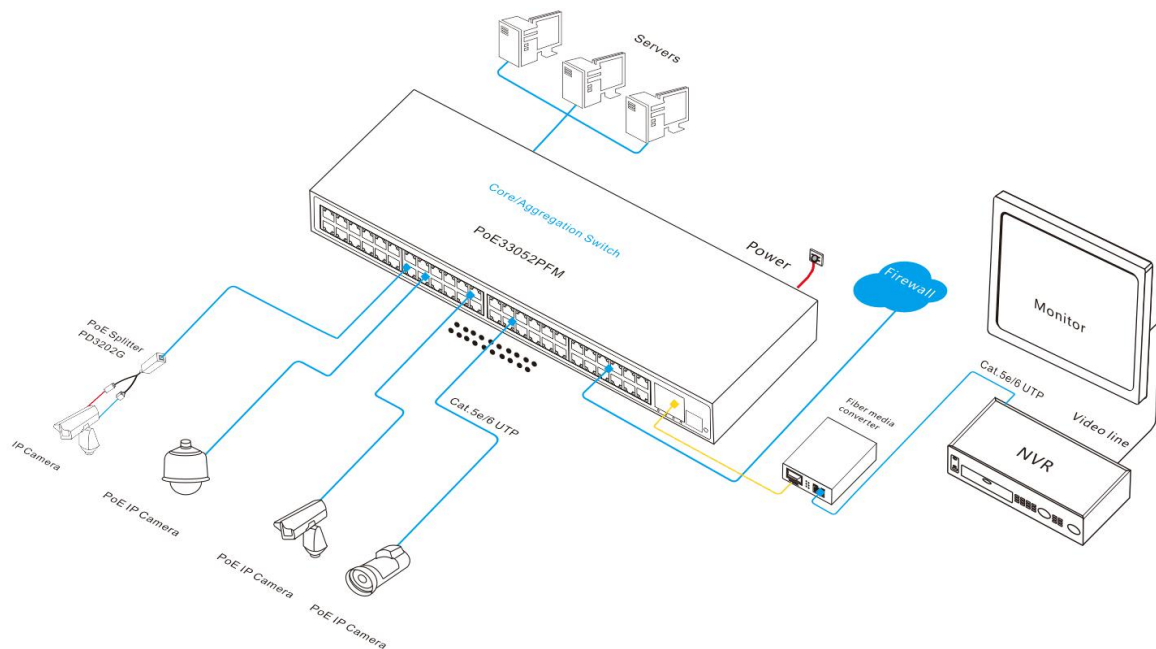
or higher, Microsoft Internet Explorer10 or later;
 TCP/IP, network adapter, and network operating system (such as
 Microsoft Windows, Linux, or Mac OS X) installed on each computer in a
 network

DIMENSION



- A. Working Indicator
- B. 48*10/100/1000M PoE Ports
- C. 4*100/1000M SFP Ports
- D. Console Port
- E. Power Input Port AC100-240V,50/60Hz

APPLICATION



ORDERING INFORMATION

Model	Description
ONV-POE33052PFM	L2+ managed PoE switch with 48* 10/100/1000M RJ45 ports and 4*100/1000M SFP fiber slot ports. Port 1-48 can support IEEE802.3af/at PoE standard. Built-in 600W power supply. Support 1U/19 inch rack installation.

Note: The SFP optical module is not included by default and needs to be purchased separately.

PACKING LIST

Packing List	CONTENT	QTY	UNIT
	52-port full gigabit managed PoE switch	1	SET
	AC Power Cable	1	PC
	RJ45-DB9 Line	1	PC
	Mounting Kits(Hanging Ear)	1	SET
	User Guide	1	PC
	Warranty Card	1	PC

OPTICAL MODULE INFORMATION

Product	Model	Description	Unit
1.25G Optical Module	ONV-2630	SFP optical module, 1.25G, multi mode dual fiber 850nm, transmission distance: 550m, LC interface, support DDM function, support hot plug and pull.	PC
	ONV-2632	SFP optical module, 1.25G, single-mode dual fiber 1310nm, transmission distance: 20km, LC interface, support DDM function, support hot plug and pull.	PC
	ONV-2612-T	SFP optical module, 1.25G, single-mode single fiber TX1310nm/RX1550nm, transmission distance: 20km, LC interface, support DDM function, support hot plug and pull.	PC
	ONV-2613-R	SFP optical module, 1.25G, single-mode single fiber	PC

		TX1550nm/RX1310nm, transmission distance: 20km, LC interface, support DDM function, support hot plug and pull.	
	ONV-2612-T-SC	SFP optical module, 1.25G, single-mode single fiber TX1310nm/RX1550nm, transmission distance: 20km, SC interface, support DDM function, support hot plug and pull.	PC
	ONV-2613-R-SC	SFP optical module, 1.25G, single-mode single fiber TX1550nm/RX1310nm, transmission distance: 20km, SC interface, support DDM function, support hot plug and pull.	PC
Power Module	ONV-2633	1.25G SFP optical module transfers to 10/100/1000M RJ45 port.	PC

CONTACT US

ONV OPTICAL NETWORK VIDEO TECHNOLOGIES (SHENZHEN) CO., LTD

Tel: 0086-755-33376606

Fax: 0086-755-33376608

Email: onv@onv.com.cn

Website: www.onvcom.com

Zip: 518000

Headquarter Address: Room 1003, Block D, Terra Building, Futian District, Shenzhen, China

Factory Address: The 4-6th Floor, No. 59, Huaning Road, Xinwei Community, Dalang Street, Longhua District, Shenzhen, China



