

Product Datasheet

Backup Power

(ONV-IoT7000-UPS220-DG)



OVERVIEW

The ONV-IoT7000-UPS220-DG is a backup power that is specially used for supporting intelligent O&M boxes independently developed and produced by ONV. The backup power adopts a DIN-rail structure and can be directly installed in the security monitoring box, power control box, traffic control box, control cabinet, and light pole control box. The backup power can provide backup power output for operation and maintenance terminals, Ethernet switches, and ONU after the mains is interrupted. Provide DC12V and AC220V two kinds of backup power output, which can meet the needs of various AC and DC power supply operation and maintenance terminals and Ethernet switches. The ONV-IoT7000-UPS220-DG backup power uses supercapacitors as energy storage elements, which has the advantages of long cycle life (theoretical charge and discharge cycles of 500,000) and wide operating temperature. It can automatically switch to the built-in UPS power supply at the moment of power failure to ensure that the equipment sends the power failure information back to the monitoring center in time.

FEATURE

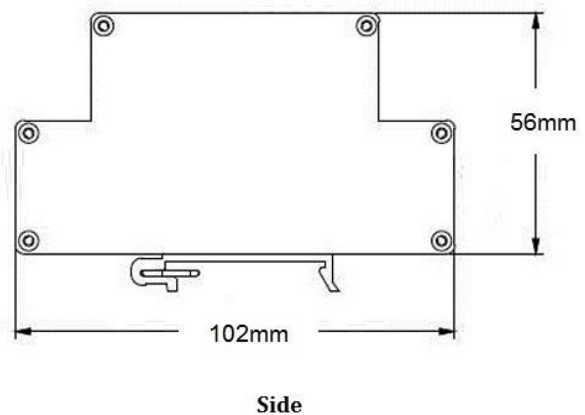
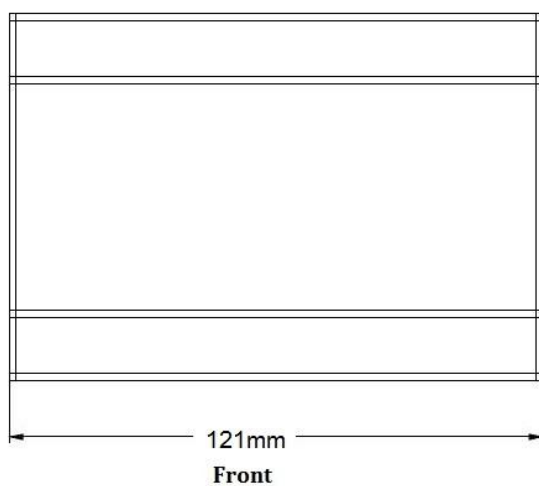
- ◇ Provide DC12V and AC220V two kinds of backup power output to meet the power supply needs of various terminals.
- ◇ Optimum design of long-life supercapacitor, no need to replace the battery.
- ◇ The built-in intelligent balance protection circuit supports output overload, overvoltage, and short circuit protection to ensure high reliability.
- ◇ Support 1*power failure alarm signal interface.
- ◇ Aluminum alloy shell, superheat dissipation, sturdiness, and durability.
- ◇ Support DIN-rail, wall-mounted installation, IP40 protection level.

TECHNICAL SPECIFICATION

Model	ONV-IoT7000-UPS220-DG
Power Input	
AC220V	1*AC220V input, 3P industrial terminal connection. Input voltage range: 90-264VAC,47-63Hz Rated input voltage: 100-240VAC,50-60Hz
Power Output	
AC220V	1*AC220V/5A output, max load is 1100W, 2P industrial terminal connection.
UPS Backup Power	1*DC12V&AC220V UPS backup power output (backup duration 5S), max load 45W, 3P industrial terminal connection.
DC12V	1*12V/5A output, max load is 70W, 2P terminal connection
Power Failure Alarm	1*Alarm signal output port (Normally low-level 0.3VDC, power failure

	high-level $\geq 3.3V$)
Physical Parameter	
Operation TEMP / Humidity	-40~+70°C, 5%~90% RH Non condensing
Storage TEMP / Humidity	-40~+85°C, 5%~95% RH Non condensing
MTBF	>100,000 hours
Dimension (L*W*H)	121*102*56mm
Net /Gross Weight	<0.7kg / <0.9kg
Installation	Wall-mounted, DIN-rail
Certification & Warranty	
Lightning Protection	Lightning protection: 6KV 8/20us; Protection level: IP40
Certification	CE mark, commercial; CE/LVD EN60950; FCC Part 15 Class B; RoHS
Warranty	5 years, lifelong maintenance.

DIMENSION



PACKING LIST

	CONTENT	QTY	UNIT
PACKING LIST	Backup power	1	SET
	User guide	1	PC
	Warranty card	1	PC

CONTACT US



Optical Network Video Technologies (Shenzhen) Co., Ltd.

Tel: 0086-755-33376606

Fax: 0086-755-33376608

Email: onv@onv.com.cn

Website: www.onvcom.com

Zip: 518000

Headquarter Address: Room 1003, Block D, Terra Building, Futian District, Shenzhen, China

Factory Address: The 4-6th Floor, No. 59, Huaning Road, Xinwei Community, Dalang Street, Longhua District, Shenzhen, China

