

Product Datasheet

Single-port 802.3bt Gigabit PoE Splitter

(ONV-PD3401G)



OVERVIEW

The ONV-PD3401G is Gigabit bt PoE splitter independently developed by ONV. It has 2*10/100/1000M adaptive RJ45 ports and a 1*DC power output terminal. 1 RJ45 port can support bt PoE input (power receiving) and is backward compatible with the IEEE802.3af/at PoE standard. The DC default output is 12V (optional 24V output), and the maximum load power is 71W. Provide power and network connections for network devices that do not support PoE, and quickly deploy network terminal equipment such as PTZ network domes, high-power wireless APs, high-power network multimedia speakers, and high-power POE lighting without being limited by power lines. Unmanaged model, plug and play, no configuration required, easy to use.

FEATURE

■ Flexible expansion and convenient connection

- ◇ Support IEEE802.3af/at/bt standard protocol connection, automatic power identification, and classification to ensure long-term stable operation of high-power equipment.
- ◇ DC-DC conversion, safe and reliable use. Default output DC voltage is DC12V (optional 24V) to meet the power supply requirements of most network terminal products in the market.

■ Stable and reliable

- ◇ CCC, CE, FCC, RoHS.
- ◇ Plug and play, no configuration, simple and convenient.
- ◇ Low power consumption, no fan design, aluminum alloy shell.
- ◇ The user-friendly panel can show the device status through the LED indicator of PWR, PoE.

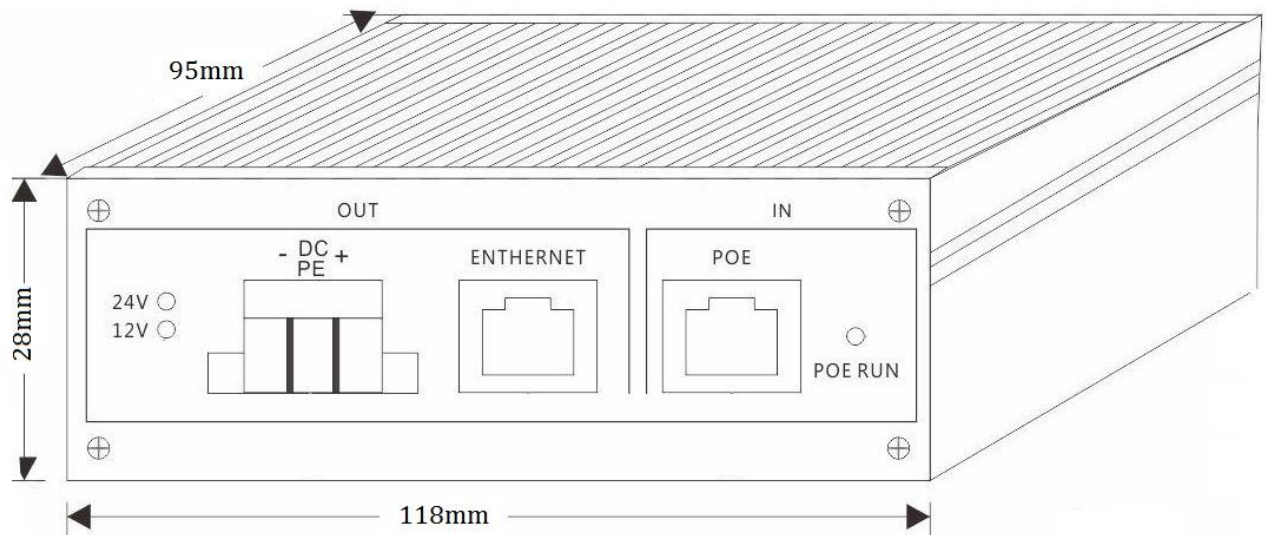
TECHNICAL SPECIFICATION

Model	ONV-PD3401	ONV-PD3401G
Interface Characteristics		
Fixed Port	1*10/100M bt PoE PD RJ45 port (Data/Power) 1*10/100M uplink RJ45 port (Data)	1*10/100/1000M bt PoE PD RJ45 port (Data/Power) 1*10/100/1000M uplink RJ45 port (Data)
Ethernet Port	10/100Base-TX auto-sensing, Full/half duplex MDI/MDI-X self-adaption	10/100/1000Base-T auto-sensing, Full/half duplex MDI/MDI-X self-adaption
Network Protocol	IEEE802.3 10BASE-T IEEE802.3i 10Base-T IEEE802.3u 100Base-TX IEEE802.3x	IEEE802.3 10BASE-T IEEE802.3i 10Base-T IEEE802.3u 100Base-TX IEEE802.3ab 1000Base-T

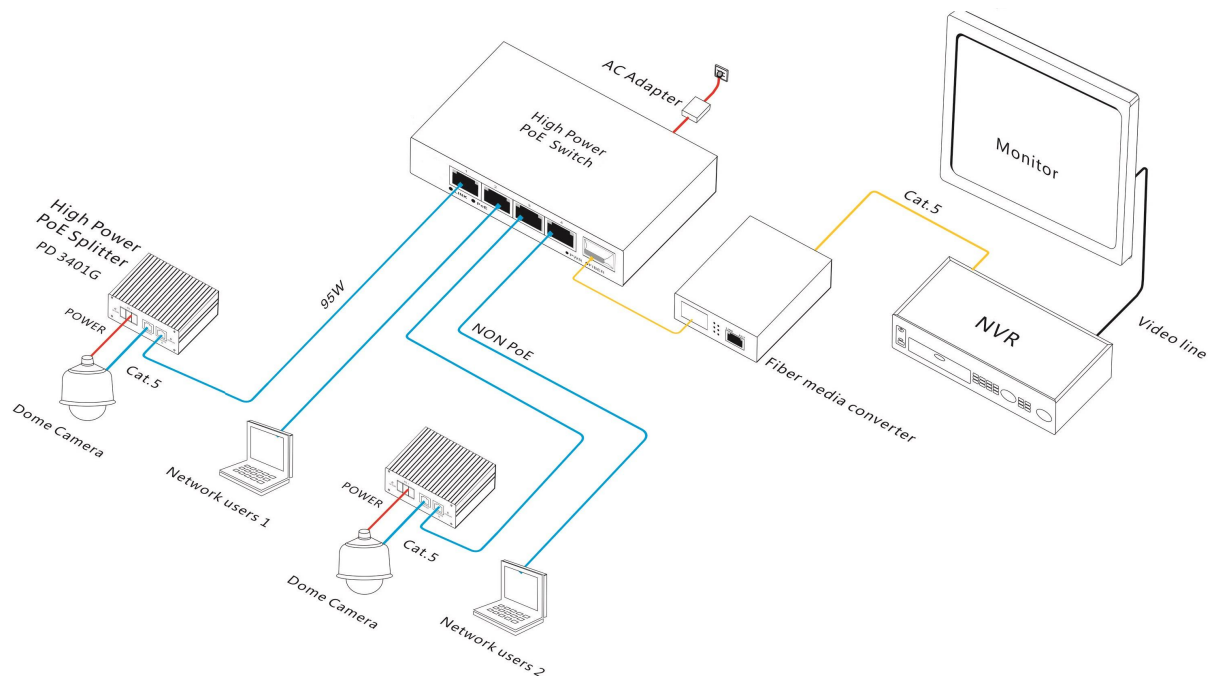
	IEEE802.3x
Twisted Pair Transmission	10BASE-T: Cat3,4,5 UTP(≤100 meters) 100BASE-TX: Cat5 or later UTP(≤100 meters) 1000BASE-T: Cat5e or later UTP(≤100 meters)
LED Indicator	Power: DC12V(Yellow), DC24V(RED), POE: PoE (Green)
PoE & Power Supply	
PoE Port	1 port supports 71W bt PoE input and is backward compatible with IEEE802.3af/at PoE standard
Max Power Per Port	30W, IEEE802.3af/at/bt
Power Supply Pin	Default 1/2(+)/3/6(-) & 4/5(+)/7/8(-)
Rated Input Voltage	DC48-57V
Output Maximum Power/Voltage	71W/DC12V ±0.5V or 71W/DC24V ±0.5V
Power Consumption	Standby<2W, Full load<70W
Efficiency	≥81.5%
Ripple and Noise	Under the condition of rated output power, output ripple: 100mV /Vp-p(max) Startup Delay Time: The maximum startup time is 2S when input 48Vdc and output maximum load. Rise Time: 50ms max when input 48Vdc and output max load
Protective Function	Short circuit protection: normal operation can be resumed after the load short circuit is removed. Over-current protection: The power supply will automatically resume normal operation after the over-current fault is removed.
Physical Parameter	
Operation TEMP / Humidity	-20~+55°C, 5%~90% RH Non condensing

Storage TEMP / Humidity	-40~+80°C, 5%~95% RH Non condensing
Dimension	118*95*28mm
Net /Gross Weight	<0.3kg /<0.4kg
Installation	Desktop, Wall-mounted, DIN Rail
Certification & Warranty	
Lightning Protection	Port lightning protection: 4KV 8/20us, Protection level: IP40
Certification	CCC, CE mark, commercial, CE/LVD EN62368-1, FCC Part 15 Class B, RoHS
Warranty	1 year, lifelong maintenance.

DIMENSION



APPLICATION



ORDERING INFORMATION

Model	Description
ONV-PD3401	Single-port 802.3bt 10/100M PoE splitter with 1*10/100M PoE PD RJ45 port and 1*10/100M uplink RJ45 port and a 1*DC port. Default DC output voltage is DC12V(DC24V is optional).
ONV-PD3401G	Single-port 802.3bt Gigabit PoE splitter with 1*10/100/1000M PoE PD RJ45 port and 1*10/100/1000M uplink RJ45 port and a 1*DC port. Default DC output voltage is DC12V(DC24V is optional).

PACKING LIST

	Content	Qty	Unit
Packing List	Single-port 802.3bt Gigabit PoE splitter	1	SET
	User Guide	1	PC
	Warranty Card	1	PC

CONTACT US



Optical Network Video Technologies (Shenzhen) Co., Ltd.

Tel: 0086-755-33376606

Fax: 0086-755-33376608

Email: onv@onv.com.cn

Website: www.onvcom.com

Headquarter Address: Room 1003, Block D, Terra Building, Futian District, Shenzhen, China

Factory Address: The 4-6th Floor, No. 59, Huaning Road, Xinwei Community, Dalang Street,
Longhua District, Shenzhen, China

