

Product Datasheet

4-port Full Gigabit Industrial PoE Fiber Switch

(ONV-IPS33042PF)



OVERVIEW

The ONV-IPS33042PF is a full gigabit industrial PoE fiber switch independently developed by ONV. It has 2*10/100/1000M PoE ports and 2*1000M SFP fiber slot ports. Port 1-2 can support IEEE802.3af/at PoE standard. single port PoE power up to 30W. As a PoE power supply device, it can automatically detect and recognize the power receiving equipment that meets the standard and supply power through the network cable. It can supply power to POE terminal equipment such as wireless AP, web camera, VoIP phone, industrial sensor through network cable, and meet the network environment that needs high-density PoE power supply. It is suitable for intelligent transportation, rail transit, electric power, mining, metallurgy and green energy. Industrial scenes such as construction set up a cost-effective and stable communication network.

Unmanaged mode, plug and play, no configuration, easy to use.

FEATURE

■ Gigabit access, uplink SFP fiber port

- ◇ Support non-blocking wire-speed forwarding.
- ◇ Support full-duplex based on IEEE802.3x and half-duplex based on Backpressure.
- ◇ Support Gigabit Ethernet port and Gigabit SFP port combination, which enables users to flexibly build networking to meet the needs of various scenarios.

■ Port lightning protection

- ◇ DC INPUT: 48V-57V.
- ◇ Industrial dual power input.
- ◇ Contact discharge 8KV, air discharge 15KV, port lightning protection common-mode 4KV, differential mode 2KV.

■ Intelligent PoE power supply

- ◇ IEEE802.3af/at PoE standard, without damaging non-PoE devices.
- ◇ 2*10/100/1000Base-T RJ45 ports, meeting the needs of security monitoring, teleconferencing system, wireless coverage, and other scenarios.
- ◇ Priority system for PoE port, it will supply power to the high priority level port first when the power budget is insufficient and avoid overwork of the device.

■ Stable and reliable

- ◇ CCC, CE, FCC, RoHS.
- ◇ Low power consumption, No fan, aluminum shell.
- ◇ The user-friendly panel can show the device status through the LED indicator of PWR, Link, PoE.

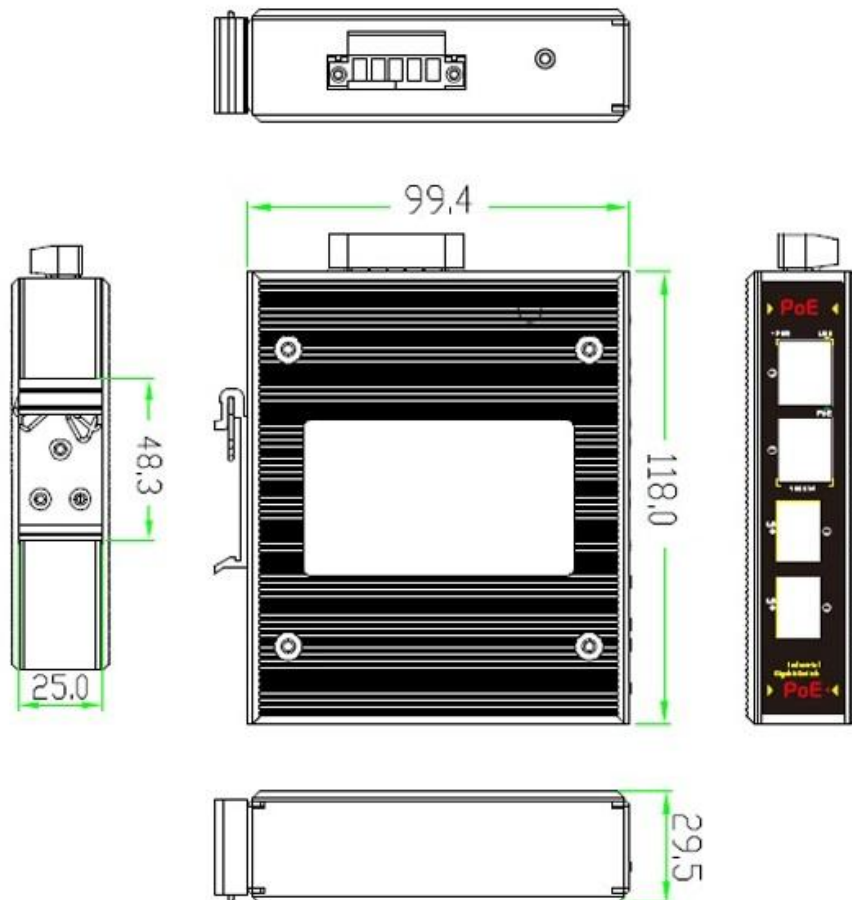
TECHNICAL SPECIFICATION

Model	ONV-IPS33042PF
Interface Characteristics	
Interface	2*10/100/1000Base-T PoE ports (Data/Power) 2*1000Base-X uplink SFP fiber slot ports (Data) 2 set of V+, V- redundant DC power interface (5Pin Phoenix terminal)
Ethernet Port	Port 1-2 support 10/100/1000Base-T auto-sensing, Full/half duplex MDI/MDI-X self-adaption
Twisted Pair Transmission	10BASE-T: Cat3,4,5 UTP(≤100 meters) 100BASE-TX: Cat5 or later UTP(≤100 meters) 1000BASE-T: Cat5e or later UTP(≤100 meters)
SFP Port	Gigabit SFP optical fiber interface, default matching optical modules (optional order single-mode / multi-mode, single fiber / dual fiber optical module. LC)
Optical Cable/ Distance	Multi-mode: 850nm/ 0-500M, Single-mode: 1310nm/ 0-40KM, 1550nm/ 0-120KM.
Chip Parameter	
Network Protocol	IEEE802.3 10BASE-T, IEEE802.3i 10Base-T, IEEE802.3u 100Base-TX IEEE802.3ab 1000Base-T, IEEE802.3z 1000Base-X, IEEE802.3x
Forwarding Mode	Store and Forward(Full Wire Speed)
Switching Capacity	10Gbps
Forwarding Rate@64byte	4.46Mpps
MAC	2K
Buffer Memory	2M
Jumbo Frame	9.2K
LED Indicator	Power: PWR(Green), Network: Link, Link/Act (Yellow), PoE: PoE

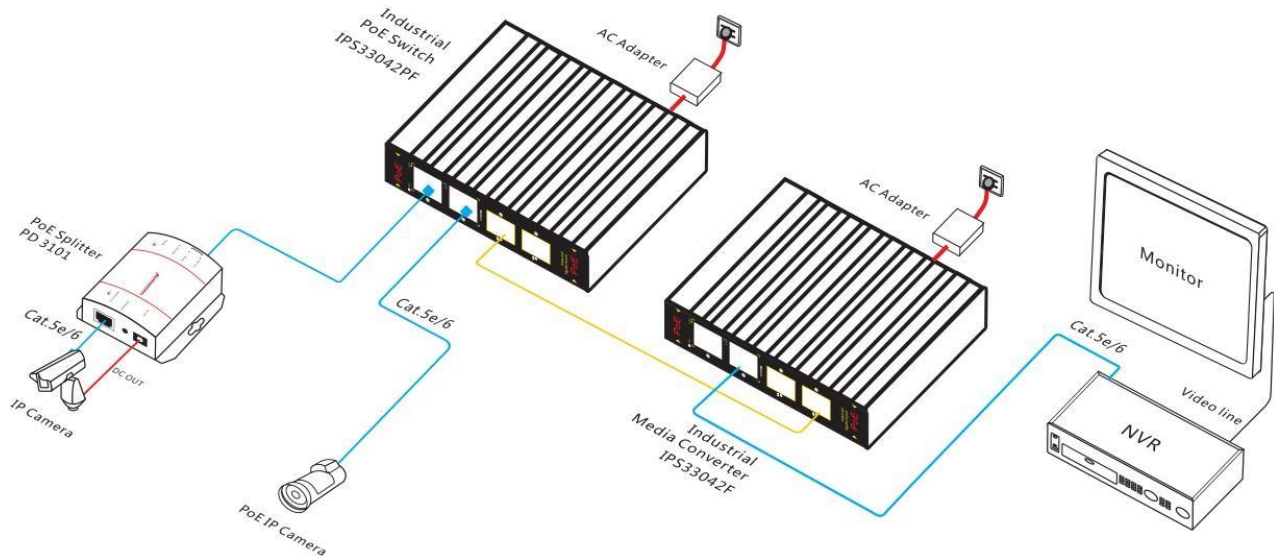
	(Green)
PoE & Power Supply	
PoE Port	Port 1-2
PoE Standard	IEEE802.3af/at
Power Supply Pin	1/2 (+) 3/6 (-)
Max Power Per Port	30W, IEEE802.3af/at
Power Consumption	Standby:<4W, Full load:af<30W, at<60W
Working Voltage	DC48-57V, 5P industrial Phoenix terminal, support anti-reverse protection.
Power Supply	No, optional 48V/36W or 48V/60W industrial power supply
Physical Parameter	
Operation TEMP / Humidity	-40~+80°C, 5%~90% RH Non condensing
Storage TEMP / Humidity	-40~+85°C, 5%~95% RH Non condensing
Dimension	119*100*30mm
Net /Gross Weight	<0.5kg / <0.7kg
Installation	Desktop, 35mm DIN rail
Lightning Protection	<p>Lightning protection: 6KV 8/20us; Protection level: IP40</p> <p>IEC61000-4-2(ESD):±8kV contact discharge,±15kV air discharge</p> <p>IEC61000-4-3(RS):10V/m(80~1000MHz)</p> <p>IEC61000-4-4(EFT): power cable:±4kV; data cable:±2kV</p> <p>IEC61000-4-5(Surge):power cable:CM±4kV/DM±2kV; data cable:±4kV</p> <p>IEC61000-4-6(radio frequency transmission):10V(150kHz~80MHz)</p> <p>IEC61000-4-8(power frequency magnetic field):100A/m;1000A/m ,1s to 3s</p> <p>IEC61000-4-9(pulsed magnet field):1000A/m</p> <p>IEC61000-4-10(damped oscillation):30A/m 1MHz</p>

	<p>IEC61000-4-12/18(Shockwave):CM 2.5kV,DM 1kV</p> <p>IEC61000-4-16(common-mode transmission):30V; 300V,1s</p> <p>FCC Part 15/CISPR22(EN55022):Class B</p> <p>IEC61000-6-2(Common Industrial Standard)</p>
Mechanical Properties	<p>IEC60068-2-6 (anti vibration)</p> <p>IEC60068-2-27 (anti shock)</p> <p>IEC60068-2-32 (free fall)</p>
Certification	<p>CCC, CE mark, commercial, CE/LVD EN62368-1, FCC Part 15 Class B, RoHS</p>
Warranty	<p>5 years, lifelong maintenance.</p>

DIMENSION



APPLICATION



ORDERING INFORMATION

Model	Description	Recommended Power Supply
ONV-IPS33042PF	Unmanaged industrial PoE fiber switch with 2*1000M uplink SFP slot ports and 2*10/100/1000M RJ45 ports. Port 1-2 can support IEEE802.3af/at PoE standard. Support dual DC power supply input and DIN rail mounting.	36W/60W

Note: Industrial PoE switch does not include the SFP optical module and power supply.

PACKING LIST

	Content	Qty	Unit
Packing List	4-port full Gigabit industrial PoE fiber switch	1	SET
	User Guide	1	PC
	Warranty Card	1	PC

OPTICAL MODULE

Product	Model	Description	Unit
1.25G Optical Module	2630	SFP optical module, 1.25G, multi-mode dual fiber 850nm, transmission distance: 550m, LC interface, support DDM function, support hot plug and pull.	PC
	2632	SFP optical module, 1.25G, single-mode dual fiber 1310nm, transmission distance: 20km, LC interface, support DDM function, support hot plug and pull.	PC
	2612-T	SFP optical module, 1.25G, single-mode single fiber TX1310nm/RX1550nm, transmission distance: 20km, LC interface, support DDM function, support hot plug and pull.	PC
	2613-R	SFP optical module, 1.25G, single-mode single fiber TX1550nm/RX1310nm, transmission distance: 20km, LC interface, support DDM function, support hot plug and pull.	PC
	2612-T-G	Industrial SFP optical module, 1.25G, single-mode single fiber TX1310nm/RX1550nm, transmission distance: 20km, LC interface, support DDM function, support hot plug and pull.	PC
	2613-R-G	Industrial SFP optical module, 1.25G, single-mode single fiber TX1550nm/RX1310nm, transmission distance: 20km, LC interface, support DDM function, support hot plug and pull.	PC

	2612-T-SC	SFP optical module, 1.25G, single-mode single fiber TX1310nm/RX1550nm, transmission distance: 20km, SC interface, support DDM function, support hot plug and pull.	PC
	2613-R-SC	SFP optical module, 1.25G, single-mode single fiber TX1550nm/RX1310nm, transmission distance: 20km, SC interface, support DDM function, support hot plug and pull.	PC
Power Module	2633	1.25G SFP optical module transfers to 10/100/1000M RJ45 port.	PC

POWER SUPPLY

Product	Model	Description	Unit
36W Desktop Power Adaptor	GWS-AP36-52	Desktop 36W single set of output power adapter Input Voltage: AC 100V~240V 50-60Hz, 0.56A Output Voltage: DC 52V 0.7A Operation Temperature: -20°C to +65°C	PC
65W Desktop Power Adaptor	GWS-AP65-52	Desktop 65W single set of output power adapter Input Voltage: AC 100V~240V 50-60Hz, 1.1A Output Voltage: DC 52V 1.25A Operation Temperature: -20°C to +65°C	PC
36W DIN Rail Industrial Power Supply	GWS-DP36-48	Din Rail 36W single set of output power supply Input Voltage: AC 100V~240V 50-60Hz, 0.56A Output Voltage: DC 48V 0.75A Operation Temperature: -40°C to +70°C	PC
60W DIN Rail Industrial Power Supply	GWS-DP60-48	Din Rail 60W single set of output power supply Input Voltage: AC 100V~240V 50-60Hz, 1.0A Output Voltage: DC 48V 1.25A Operation Temperature: -40°C to +70°C	PC

RELATED PRODUCT

Model	Description
ONV-IPS33021PF	Unmanaged industrial PoE fiber switch with 1*10/100/1000M RJ45 port and 1*1000M SFP port. Port 1 can support IEEE802.3af/at PoE standard. It can support dual DC redundant power input (Phoenix terminal connection) and and DIN rail mounting.
ONV-IPS33032PF	Unmanaged industrial PoE fiber switch with 2*10/100/1000M RJ45 ports and 1*1000M SFP port. Port 1-2 can support IEEE802.3af/at PoE standard. It can support dual DC redundant power input (Phoenix terminal connection) and and DIN rail mounting.
ONV-IPS33064PF	Unmanaged industrial PoE fiber switch with 4*10/100/1000M RJ45 ports and 2*1000M SFP ports. Port 1-4 can support IEEE802.3af/at PoE standard. It can support dual DC redundant power input (Phoenix terminal connection) and and DIN rail mounting.
ONV-IPS33064PFG	Unmanaged industrial PoE fiber switch with 5*10/100/1000M RJ45 ports and 1*1000M SFP port. Port 1-4 can support IEEE802.3af/at PoE standard. It can support dual DC redundant power input (Phoenix terminal connection) and and DIN rail mounting.
ONV-IPS33108PF	Unmanaged industrial PoE fiber switch with 8*10/100/1000M RJ45 ports and 2*1000M SFP ports. Port 1-8 can support IEEE802.3af/at PoE standard. It can support dual DC redundant power input (Phoenix terminal connection) and and DIN rail mounting.

CONTACT US

ONV Optical Network Video Technologies (Shenzhen) Co., Ltd.

Tel: 0086-755-33376606

Fax: 0086-755-33376608

Email: onv@onv.com.cn

Skype: [onv@onv.com.cn](https://www.skype.com/people/onv@onv.com.cn)

WeChat ID: ONV-PoE-IoT

Website: www.onvcom.com

Headquarter Address: Room 1003, Block D, Terra Building, Futian District, Shenzhen

Factory Address: The 4-6th Floor, No. 59, Huaning Road, Xinwei Community, Dalang Street,

Longhua District, Shenzhen

