

Product Datasheet

18-port Gigabit Uplink Managed PoE Switch

(ONV-POE31016PFM)



OVERVIEW

The ONV-POE31016PFM is Gigabit uplink L2 managed PoE fiber switch independently developed by ONV. It has 16*10/100M RJ45 ports and 2*10/100/1000M RJ45 or 2*1000M SFP uplink combo ports. Ports 1-16 support IEEE 802.3 af/at PoE standard. Single-port max PoE power is 30W, and max PoE output power is 250W (at-400W). Each port supports wire-speed forwarding.

The ONV-POE31016PFM adopts a new generation of high-performance hardware and software platforms to provide flexible and cost-effective 100M access and uplink ports. It supports complete security protection mechanisms, complete ACL/QoS policies, and flexible VLAN functions, and is easy to manage and maintain. PoE power supply devices can automatically detect and identify the power-receiving equipment that meets the standard and supplies power through the network cable. It can supply power to PoE terminal equipment such as wireless AP, IP camera, VoIP, and visual intelligent building intercom through the network cable, and meet the network environment that needs a high-density PoE power supply. It is suitable for hotels, campuses, parks, attractions, supermarkets, factory quarters, and small and medium-sized enterprises to form a cost-effective network.

FEATURE

■ 100Mbps access, Gigabit TP/SFP combo port uplink

- ◇ Support non-blocking wire-speed forwarding.
- ◇ Support full-duplex based on IEEE802.3x and half-duplex based on Backpressure.
- ◇ Support 10/100M Ethernet port and Gigabit TP/SFP combo port combination, which enables users to flexibly build networking to meet the needs of various scenarios.

■ Intelligent PoE power supply

- ◇ PoE port support priority. When the remaining power is insufficient, priority is given to ensuring the power supply of high-priority ports to avoid equipment overload.
- ◇ PoE remote network management. through the network management function, you can check the PoE port power, define the port power, and realize 7*24h automatic port scheduling, etc.
- ◇ 16*10/100Base-TX RJ45 ports support PoE power supply to meet the PoE power supply needs of security monitoring, conference call systems, wireless coverage, and other scenarios.
- ◇ IEEE 802.3 af/at PoE standard automatically identifies PoE devices for power supply without damaging non-PoE devices. The max PoE output power is 250W, and the max single-port PoE output power is 30W.

■ Strong business processing capability

- ◇ Support STP/RSTP/MSTP, eliminate layer 2 loops, and realize link backup.
- ◇ IEEE 802.1Q VLAN, users can divide VLAN according to needs, and support QinQ configuration.
- ◇ Static aggregation and dynamic aggregation, increase link bandwidth, realize load balancing, link backup, and improve link reliability.
- ◇ Support QoS, port-based, 802.1P-based, and DSCP-based three priority modes and four queue scheduling algorithms: Equ, SP, WRR, SP+WRR.
- ◇ Support ACL to filter data packets by configuring matching rules, processing operations, and

time permissions, and provide flexible security access control strategies.

- ◇ Support IGMP V1/V2 multicast protocol, and IGMP Snooping meets the needs of multi-terminal high-definition video surveillance and video conferencing access.

■ Security

- ◇ Support port isolation.
- ◇ Support port broadcast storm suppression.
- ◇ Support IP+MAC+port+VLAN quadruple flexible combination binding function.
- ◇ Support 802.1X authentication to provide authentication functions for LAN computers, and control the authorization status of controlled ports according to the authentication results.

■ Stable and reliable

- ◇ CCC, CE, FCC, RoHS.
- ◇ The user-friendly panel can show the device status through the LED indicator of PWR, PoE, Link.
- ◇ Using self-developed power supply with high redundancy design provides long-term and stable PoE power output.
- ◇ Low power consumption, no fan, galvanized steel metal casing, excellent heat dissipation to ensure the stable operation of the switch.

■ Easy O&M management

- ◇ CPU monitoring, memory monitoring.
- ◇ HTTPS, SSLV3, SSH V1/V2 and other encryption methods make management more secure.
- ◇ RMON, system logs, and port traffic statistics facilitate network optimization and transformation.
- ◇ LLDP facilitates the network management system to query and determine the communication status of the link.
- ◇ Web network management, SNMP (V1/V2/V3) and other diversified management and maintenance methods.

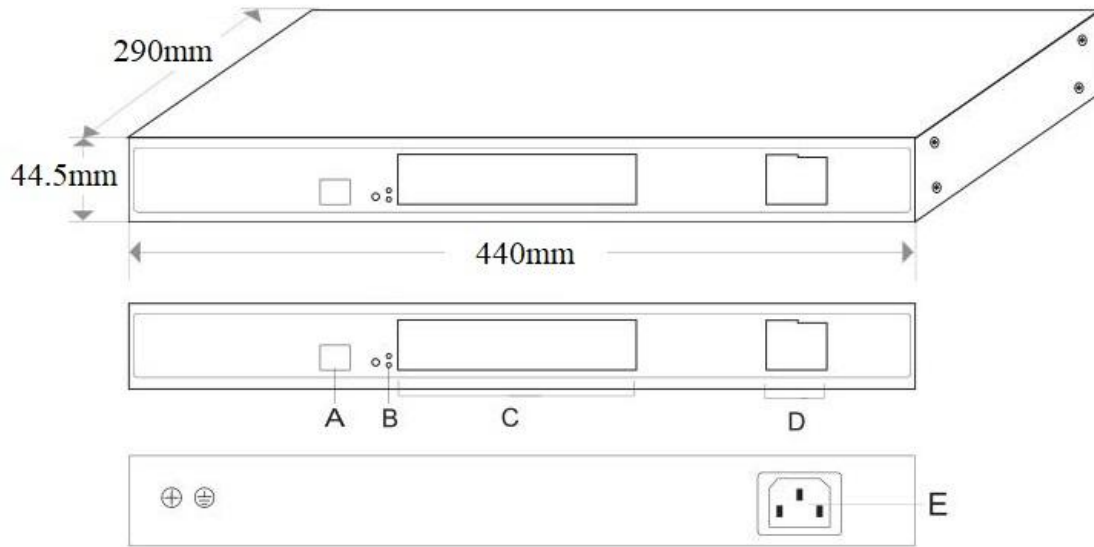
TECHNICAL SPECIFICATION

Model	ONV-POE31016PFM	ONV-POE31016PFM-at
Interface Characteristics		
Fixed Port	16*10/100Base-TX PoE ports (Data/Power) 2*10/100/1000M RJ45 or 2*1000M SFP uplink combo ports(Data)	
Ethernet Port	Port 1-16 support 10/100Base-TX and port 17-18 support 10/100/1000Base-T auto-sensing, full/ half duplex MDI/ MDI-X self-adaption	
Twisted Pair Transmission	10BASE-T: Cat3,4,5 UTP(≤100 meters) 100BASE-TX: Cat5 or later UTP(≤100 meters) 1000BASE-T: Cat5e or later UTP(≤100 meters)	
SFP Slot Port	Gigabit SFP optical fiber port, default no include optical modules (optional single-mode/ multi-mode, single fiber/ dual fiber optical module. LC)	
Optical Cable/ Distance	Multi-mode: 850nm/ 0-500m Single-mode: 1310nm/ 0-40km, 1550nm/ 0-120km.	
Chip Parameter		
Network Protocol	IEEE802.3 10BASE-T, IEEE802.3i 10Base-T, IEEE802.3u 100Base-TX/FX IEEE802.3ab 1000Base-T, IEEE802.3z 1000Base-X, IEEE802.3x	
Forwarding Mode	Store and Forward(Full Wire Speed)	
Switching Capacity	14.8Gbps (Non-blocking)	
Forwarding Rate@64byte	5.36Mpps	
MAC	16K	
Buffer Memory	4M	
Jumbo Frame	10K	
LED Indicator	Power: PWR(Green), Data: Link(Yellow) PoE: PoE (Green), Speed: SPD (Green)	
PoE & Power Supply		

PoE Port	Port 1 to 16	
PoE Management	PoE working status, Scheduling of PoE operation and time Delay start of power supply, PoE output priority configuration	
Power Supply Pin	1/2(+) 3/6(-)	
Max Power Per Port	30W, IEEE 802.3 af/at	
Total PWR / Input Voltage	250W (AC100-240V)	400W (AC100-240V)
Power Consumption	Standby<15W, Full load<240W	Standby<20W, Full load<380W
Power Supply	Built in power supply, AC100~240V 50-60Hz 4.1A	Built in power supply, AC100~240V 50-60Hz 5.0A
Physical Parameter		
Operation TEMP / Humidity	-20°C~+55°C, 5%~90% RH Non condensing	
Storage TEMP / Humidity	-40°C~+75°C, 5%~95% RH Non condensing	
Dimension (L*W*H)	440*290*44.5mm	
Net /Gross Weight	<2.8kg /<3.5kg	
Installation	Desktop, wall mounted, 19 inch 1U cabinet	
Certification & Warranty		
Lightning Protection	Port lightning protection: 4KV 8/20us, Protection level: IP30	
Certification	CCC, CE mark, commercial, CE/LVD EN62368-1, FCC Part 15 Class B, RoHS	
Warranty	3 years, lifetime maintenance.	
Network Management Features		
Interface	IEEE802.3X (Full-duplex), Broadcast storm control based on port speed rate-limiting of packet traffic on incoming and outgoing ports, with the mini granularity of 64Kbps	
VLAN	4K VLAN based on port, IEEE802.1q	

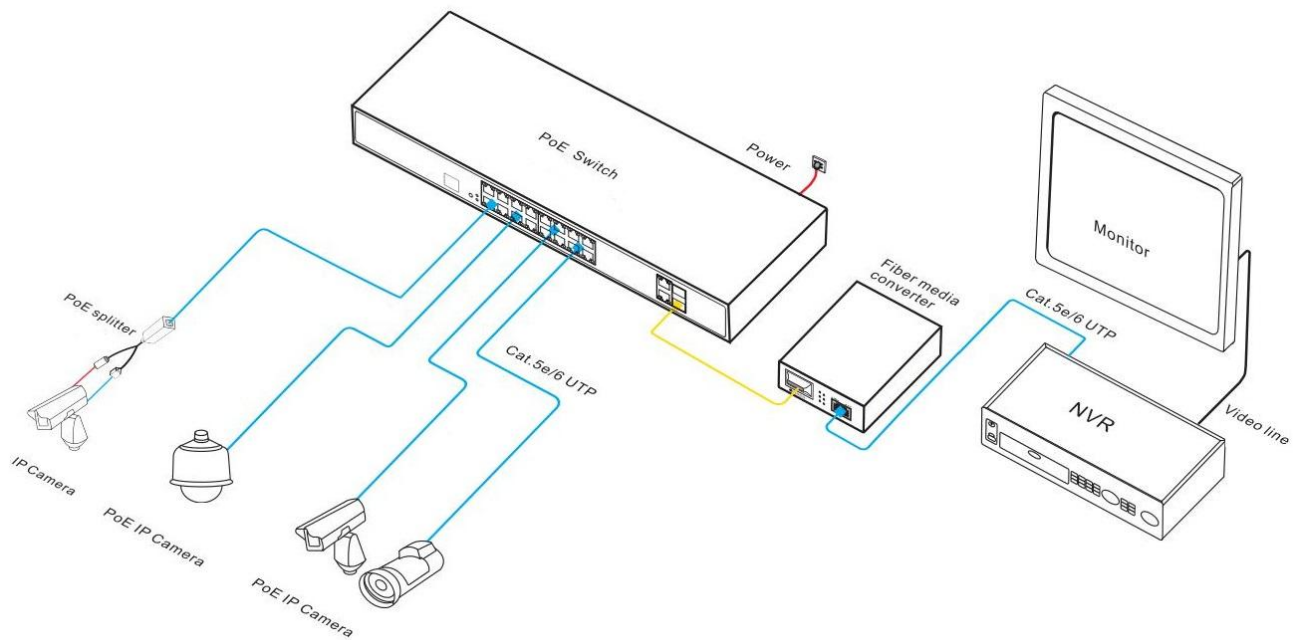
	QinQ configuration, VLAN based on protocol
Port Aggregation	Support LACP, manual aggregation Max 9 aggregation groups, each aggregation group supports up to 8 ports
Spanning Tree	STP (IEEE802.1d), RSTP (IEEE802.1w), MSTP (IEEE802.1s)
Multicast	MLD Snooping v1/v2, Multicast VLAN IGMP Snooping v1/v2/v3, Max 64 multicast groups, Fast log out
Mirroring	Bidirectional traffic mirroring basic ports
QoS	Diff-Serv QoS, Priority mark/ remark Queue scheduling algorithm (SP, WRR, SP+WRR) 8*Output queues of each port, 802.1p/ DSCP priority mapping
ACL	L2-L4 packet filtering function, matching the first 80 bytes of the packet, based on source MAC address, destination MAC address, source IP address, destination IP address, IP protocol type, TCP/UDP port, TCP/UDP port range, VLAN Wait to define the ACL.
Security	Port isolation, port broadcast storm suppression Port+MAC binding, IP+MAC+port binding function
DHCP	DHCP Client, DHCP Snooping, DHCP Relay
Management	NTP, One-key recovery, SNMP V1/V2/V3 System work log, Web Network Management (Https)

DIMENSION



- A. Console port
- B. Working indicator
- C. 16*10/100M PoE ports
- D. 2*10/100/1000M RJ45/SFP Combo ports
- E. Power input port AC100-240V, 50/60Hz

APPLICATION



ORDERING INFORMATION

Model	Description	Built-in Power Supply
ONV-POE31016PFM	L2 managed PoE fiber switch with 16*10/100M RJ45 ports and 2*10/100/1000M RJ45 or 2*1000M SFP	250W
ONV-POE31016PFM-at	uplink combo ports. Port 1-16 can support IEEE 802.3af/at PoE standard. Support 1U/19-inch cabinet rack.	400W

Note: The optical module is not included by default and needs to be purchased separately.

PACKING LIST

Packing List	Content	Qty	Unit
	18-port gigabit uplink managed PoE switch	1	SET
	AC Power Cable	1	PC
	Mounting Kits (Hanging Ear)	1	SET
	User Guide	1	PC
	Warranty Card	1	PC

OPTICAL MODULE

Product	Model	Description	Unit
1.25G Optical Module	2630	SFP optical module, 1.25G, multi mode dual fiber 850nm, transmission distance: 550m, LC interface. supports DDM function and hot plugging.	PC
	2632	SFP optical module, 1.25G, single-mode dual fiber 1310nm, transmission distance: 20km, LC interface. supports DDM function and hot plugging.	PC
	2612-T	SFP optical module, 1.25G, single-mode single fiber TX1310nm/	PC

		RX1550nm, transmission distance: 20km, LC interface. supports DDM function and hot plugging.	
	2613-R	SFP optical module, 1.25G, single-mode single fiber TX1550nm/ RX1310nm, transmission distance: 20km, LC interface. supports DDM function and hot plugging.	PC
	2612-T-SC	SFP optical module, 1.25G, single-mode single fiber TX1310nm/ RX1550nm, transmission distance: 20km, SC interface. supports DDM function and hot plugging.	PC
	2613-R-SC	SFP optical module, 1.25G, single-mode single fiber TX1550nm/ RX1310nm, transmission distance: 20km, SC interface. supports DDM function and hot plugging.	PC
Power Module	2633	1.25G SFP optical module transfers to 10/100/1000M RJ45 port.	PC

CONTACT US

ONV Optical Network Video Technologies (Shenzhen) Co., Ltd.

Tel: 0086-755-33376606

Fax: 0086-755-33376608

WeChat: ONV-PoE-IoT

Email: onv@onv.com.cn

Skype: onv@onv.com.cn

Website: www.onvcom.com

Headquarter Address: Room 1003, Block D, Terra Building, Futian District, Shenzhen, China

Factory Address: Floor 4-6, Building A, Senyutai Industrial Park, No. 111, Huaning Road, Xins

Community, Dalang Street, Longhua District, Shenzhen, China

