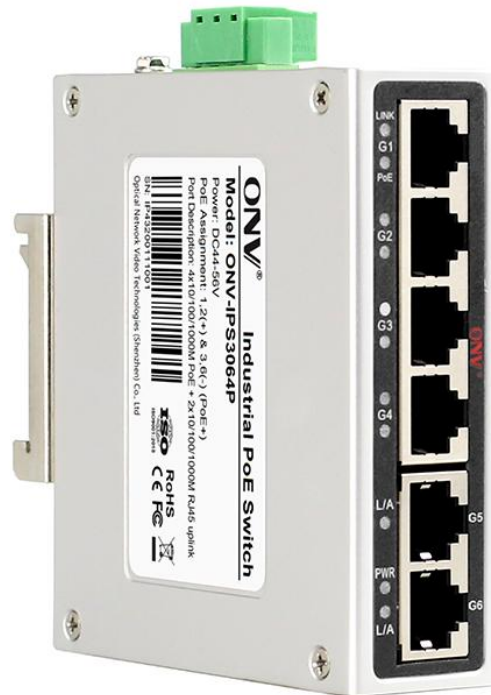


Product Datasheet

6-port Full Gigabit Industrial PoE Switch

(ONV-IPS3064P)



OVERVIEW

The ONV-IPS3064P is a full Gigabit industrial PoE switch independently developed by ONV. It has 6*10/100/1000M adaptive RJ45 ports. Port 1-4 can support IEEE 802.3 af/at PoE standard, and single-port PoE power up to 30W. As a PoE power supply device can automatically detect and recognize the power-receiving equipment that meets the standard and supplies power through the network cable. It can supply power to PoE terminal equipment such as wireless AP, IP cameras, VoIP phones, and industrial sensors through network cables, and meet the network environment that needs a high-density PoE power supply. It is suitable for intelligent transportation, rail transit, electric power, mining, metallurgy and green energy, and industrial scenes such as construction to set up a cost-effective and stable communication network. Unmanaged mode, plug and play, no configuration, easy to use.

FEATURE

■ Gigabit wire speed forwarding

- ◇ Support non-blocking wire-speed forwarding.
- ◇ Support full-duplex based on IEEE802.3x and half-duplex based on Backpressure.
- ◇ Support full gigabit Ethernet ports, high speed and high bandwidth connection to meet the needs of various scenarios.

■ Smart PoE power supply

- ◇ IEEE 802.3 af/at PoE standard, without damaging non-PoE devices.
- ◇ 4*10/100/1000Base-T RJ45 ports, meeting the needs of security monitoring, teleconferencing system, wireless coverage, and other scenarios.
- ◇ Priority system for PoE port, it will supply power to the high priority level port first when the power budget is insufficient and avoid overwork of the device.

■ Stable and reliable

- ◇ CCC, CE, FCC, RoHS.
- ◇ The user-friendly panel can show the device status through the LED indicator of PWR, Link, PoE.
- ◇ Low power consumption, no fan, aluminum shell, excellent heat dissipation to ensure the stable operation of the switch.

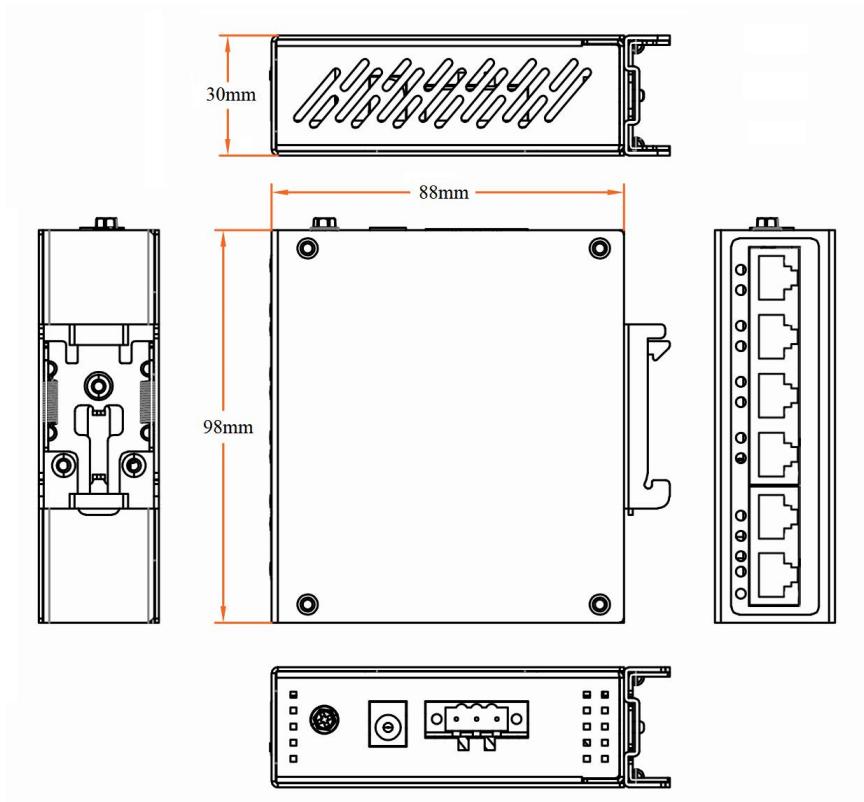
TECHNICAL SPECIFICATION

Model	ONV-IPS3064P
Interface Characteristics	
Fixed Port	1*DC5521 power socket 2*10/100/1000Base-T uplink RJ45 ports (Data) 4*10/100/1000Base-T PoE ports (Data/Power) 2 set of V+, V- redundant DC power interface (3P Phoenix terminal)
Ethernet Port	Port 1-6 support 10/100/1000Base-T auto-sensing, full/ half duplex MDI/

	MDI-X self-adaption
Twisted Pair Transmission	10BASE-T: Cat3,4,5 UTP (≤ 100 meters) 100BASE-TX: Cat5 or later UTP (≤ 100 meters) 1000BASE-T: Cat5e or later UTP (≤ 100 meters)
Chip Parameter	
Network Protocol	IEEE802.3 10BASE-T, IEEE802.3i 10Base-T IEEE802.3u 100Base-TX, IEEE802.3ab 1000Base-T, IEEE802.3x
Forwarding Mode	Store and Forward (Full Wire Speed)
Switching Capacity	16Gbps
Forwarding Rate@64byte	8.93Mpps
MAC	8K
Buffer Memory	2Mb
Jumbo Frame	9.2KB
LED Indicator	Power: PWR (Green), Network: Link G1-G6(Green), POE: PoE G1-G4 (Green)
PoE & Power Supply	
PoE Port	Port 1-4
Power Supply Pin	1/2(+) 3/6 (-)
Max Power Per Port	30W, IEEE 802.3 af/at
Power Consumption	Standby<5W, Full load af<60W, at<120W
Power Supply	No, optional 48V/60W or 48V/120W industrial power supply
Working Voltage	DC48-57V, 3P industrial Phoenix terminal, support anti-reverse protection.
Physical Parameter	
Operation TEMP/ Humidity	-40~+75°C, 5%~90% RH Non condensing
Storage TEMP/ Humidity	-40~+85°C, 5%~95% RH Non condensing
Dimension	98*88*30mm
Net /Gross Weight	<0.2kg / <0.3 kg

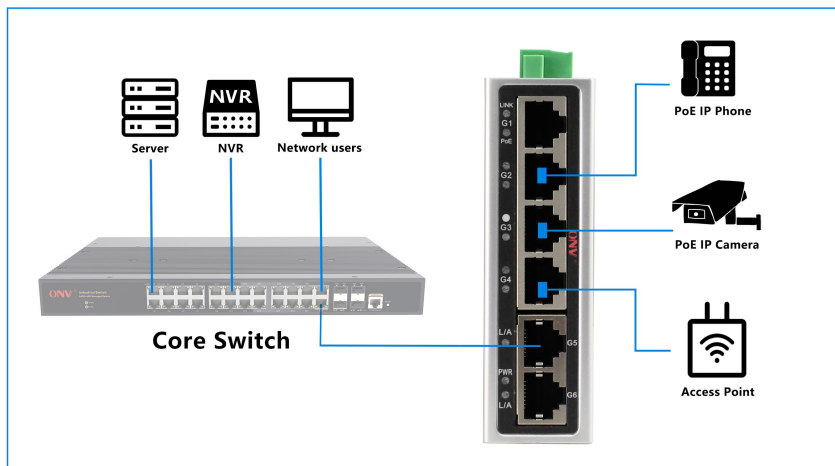
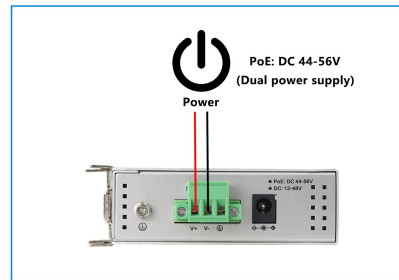
Installation	Desktop, DIN Rail
Certification & Warranty	
Lightning Protection	<p>Protection level: IP30, Lightning protection: 6KV 8/20us</p> <p>IEC61000-4-3 (RS):10V/m (80~1000MHz)</p> <p>FCC Part 15/CISPR22 (EN55022): Class B</p> <p>IEC61000-6-2 (Common Industrial Standard)</p> <p>IEC61000-4-9 (Pulsed magnet field): 1000A/m</p> <p>IEC61000-4-10 (Damped oscillation): 30A/m, 1MHz</p> <p>IEC61000-4-12/18 (Shockwave): CM 2.5kV, DM 1kV</p> <p>IEC61000-4-4(EFT): Power cable:±4kV, Data cable: ±2kV</p> <p>IEC61000-4-16 (Common-mode transmission): 30V, 300V, 1s</p> <p>IEC61000-4-2 (ESD): ±8kV contact discharge, ±15kV air discharge</p> <p>IEC61000-4-6 (Radio frequency transmission): 10V(150kHz~80MHz)</p> <p>IEC61000-4-8 (Power frequency magnetic field):100A/m, 1000A/m, 1s-3s</p> <p>IEC61000-4-5 (Surge): Power cable: CM±4kV/ DM±2kV, Data cable: ±4kV</p>
Mechanical Properties	IEC60068-2-6 (Anti Vibration), IEC60068-2-32 (Free Fall), IEC60068-2-27 (Anti Shock)
Certification	CCC, CE mark, commercial, CE/LVD EN62368-1, FCC Part 15 Class B, RoHS
Warranty	5 years, lifelong maintenance.

DIMENSION



APPLICATION

- Plug and play
- Wide temperature range
- DIN Rail installation



ORDERING INFORMATION

Model	Description	Recommended Power Supply
ONV-IPS3064P	Unmanaged industrial PoE switch with 6*10/100/1000M RJ45 ports. Port 1-4 can support IEEE 802.3 af/at PoE standard. It can support dual DC power input and DIN rail mounting.	60W/120W

Note: The power supply is not included and needs to be purchased.

PACKING LIST

Packing List	Content	Qty	Unit
	6-port full gigabit industrial PoE switch	1	SET
	User Guide	1	PC
	Warranty Card	1	PC

POWER SUPPLY

Product	Model	Description	Unit
65W Desktop Power Adapter	GWS-AP65-52	Desktop 65W single set of output power adapter Input Voltage: AC100V~240V 50-60Hz, 1.1A Output Voltage: DC52V, 1.25A Operation Temperature: -20°C to +65°C	PC
110W Desktop Power Adapter	GWS-AP110-52	Desktop 110W single set of output power adapter Input Voltage: AC100V~240V 50-60Hz, 2.0A Output Voltage: DC52V, 2.0A Operation Temperature: -20°C to +65°C	PC
60W DIN Rail Industrial Power Supply	GWS-DP60-48	DIN Rail 60W single set of output power supply Input Voltage: AC100V~240V 50-60Hz, 1.0A Output Voltage: DC48V, 1.25A	PC

		Operation Temperature: -40°C to +70°C	
120W DIN Rail Industrial Power Supply	GWS-DP120-48	DIN Rail 120W single set of output power supply Input Voltage: AC100V~240V 50-60Hz, 1.5A Output Voltage: DC48V, 2.5A Operation Temperature: -40°C to +70°C	PC

CONTACT US

ONV Optical Network Video Technologies (Shenzhen) Co., Ltd.

Tel: 0086-755-33376606

Fax: 0086-755-33376608

WeChat: ONV-PoE-IoT

Email: onv@onv.com.cn

Skype: onv@onv.com.cn

Website: www.onvcom.com

Headquarter Address: Room 1003, Block D, Terra Building, Futian District, Shenzhen, China

Factory Address: Floor 4-6, Building A, Senyutai Industrial Park, No. 111, Huaning Road, Xinshi

Community, Dalang Street, Longhua District, Shenzhen, China

