

Product Datasheet

3-port 10/100M Industrial PoE Fiber Switch

(ONV-IPS1032PF)



OVERVIEW

The ONV-IPS1032PF is a 10/100M industrial PoE fiber switch independently developed by ONV. It has 2*10/100M RJ45 ports and 1*155M SC fiber port. Port 1-2 can support IEEE 802.3 af/at PoE standard, and single-port PoE power up to 30W. As a PoE power supply device can automatically detect and recognize the power-receiving equipment that meets the standard and supplies power through the network cable. It can supply power to PoE terminal equipment such as wireless AP, IP cameras, VoIP phones, and industrial sensors through network cables, and meet the network environment that needs a high-density PoE power supply. It is suitable for intelligent transportation, rail transit, electric power, mining, metallurgy and green energy, and industrial scenes such as construction to set up a cost-effective and stable communication network. Unmanaged mode, plug and play, no configuration, easy to use.

FEATURE

■ 10/100M RJ45 and SC port, fast Ethernet

- ◇ Support non-blocking wire-speed forwarding.
- ◇ Support full-duplex based on IEEE802.3x and half-duplex based on Backpressure.
- ◇ Support 10/100M RJ45 port and 155M SC fiber port combination, which enables users to flexibly build networking to meet the needs of various scenarios.

■ Smart PoE power supply

- ◇ IEEE802.3af/at PoE standard, without damaging non-PoE devices.
- ◇ 2*10/100Base-TX RJ45 ports, meeting the needs of security monitoring, teleconferencing system, wireless coverage, and other scenarios.
- ◇ Priority system for PoE port, it will supply power to the high priority level port first when the power budget is insufficient and avoid overwork of the device.

■ Stable and reliable

- ◇ CCC, CE, FCC, RoHS.
- ◇ The user-friendly panel can show the device status through the LED indicator of PWR, Link, PoE.
- ◇ Low power consumption, no fan, aluminum shell, excellent heat dissipation to ensure the stable operation of the switch.

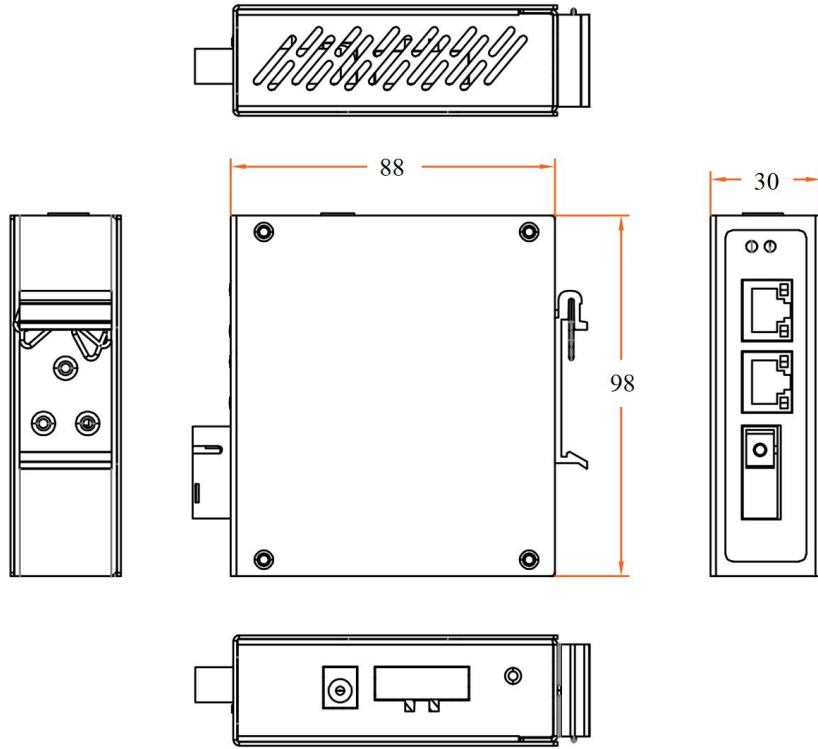
TECHNICAL SPECIFICATION

Model	ONV-IPS1032PF
Interface Characteristics	
Fixed Port	1*DC5521 power socket 1*155M SC fiber port (Data) 2*10/100Base-TX PoE ports (Data/Power) 2 set of V+, V- redundant DC power interface (3P Phoenix terminal)

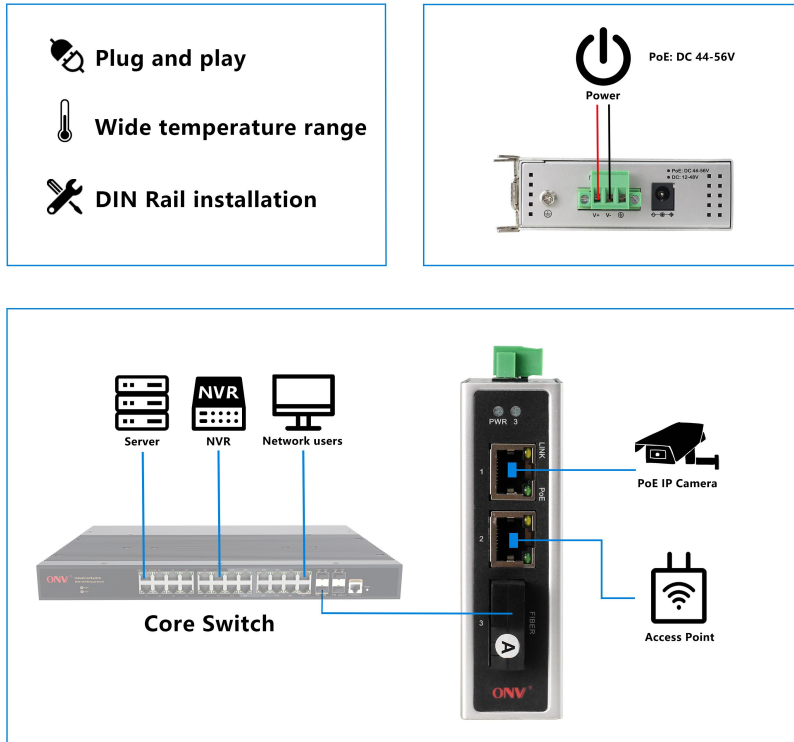
Ethernet Port	Port 1 to 2 support 10/100Base-TX auto-sensing, full/ half duplex MDI/MDI-X self-adaption
Twisted Pair	10BASE-T: Cat3,4,5 UTP(≤100 meters)
Transmission	100BASE-TX: Cat5 or later UTP(≤100 meters)
Fiber Port	single-mode dual fiber 20km, SC interface. (optional single-mode single fiber optical module)
Optical Cable/ Distance	Multi-mode: 850nm/ 0-500m, 1310nm/ 0-2km, Single-mode: 1310nm/ 0-40km, 1550nm/ 0-120km.
Chip Parameter	
Network Protocol	IEEE802.3 10BASE-T, IEEE802.3i 10Base-T IEEE802.3u 100Base-TX, IEEE802.3u 100Base-FX, IEEE802.3x
Forwarding Mode	Store and Forward (Full Wire Speed)
Switching Capacity	1.0Gbps (no-blocking)
Forwarding Rate@64byte	0.45Mpps
MAC	2K
Buffer Memory	512Kb
Jumbo Frame	2048B
LED Indicator	Power: PWR (Green), Network: Link 1-2 (Yellow), PoE: PoE1-2 (Green) Fiber port: 3 (Green)
PoE & Power Supply	
PoE Port	Port 1 to 2
Power Supply Pin	1/2 (+) 3/6 (-)
Max Power Per Port	30W, IEEE 802.3 af/at
Power Consumption	Standby<1W, Full load af<30, at<60W
Operating Voltage	DC48-57V, 3P industrial Phoenix terminal, support anti-reverse protection.
Power Supply	No, optional 48V/36W or 48V/60W industrial power supply
Physical Parameter	
Operation TEMP /	-40~+75°C, 5%~90% RH Non condensing

Humidity	
Storage TEMP / Humidity	-40~+85°C, 5%~95% RH Non condensing
Dimension (L*W*H)	98*88*30mm
Net /Gross Weight	<0.2kg / <0.3kg
Installation	Desktop, 35mm DIN rail
Certification & Warranty	
Lightning Protection	<p>Protection level: IP30, Lightning protection: 6KV 8/20us</p> <p>IEC61000-4-3 (RS):10V/m (80~1000MHz)</p> <p>FCC Part 15/CISPR22 (EN55022): Class B</p> <p>IEC61000-6-2 (Common Industrial Standard)</p> <p>IEC61000-4-9 (Pulsed magnet field): 1000A/m</p> <p>IEC61000-4-10 (Damped oscillation): 30A/m, 1MHz</p> <p>IEC61000-4-12/18 (Shockwave): CM 2.5kV, DM 1kV</p> <p>IEC61000-4-4(EFT): Power cable:±4kV, Data cable: ±2kV</p> <p>IEC61000-4-16 (Common-mode transmission): 30V, 300V, 1s</p> <p>IEC61000-4-2 (ESD): ±8kV contact discharge, ±15kV air discharge</p> <p>IEC61000-4-6 (Radio frequency transmission): 10V(150kHz~80MHz)</p> <p>IEC61000-4-8 (Power frequency magnetic field):100A/m, 1000A/m, 1s-3s</p> <p>IEC61000-4-5 (Surge): Power cable: CM±4kV/ DM±2kV, Data cable: ±4kV</p>
Mechanical Properties	IEC60068-2-6 (Anti Vibration), IEC60068-2-32 (Free Fall)
Properties	IEC60068-2-27 (Anti Shock)
Certification	CCC, CE mark, commercial, CE/LVD EN62368-1, FCC Part 15 Class B, RoHS
Warranty	5 years, lifelong maintenance.

DIMENSION



APPLICATION



ORDERING INFORMATION

Model	Description	Recommended Power Supply
ONV-IPS1032PF	Unmanaged industrial PoE fiber switch with 2*10/100M RJ45 ports and 1*155M uplink SC fiber port (1310nm/20km single-mode dual fiber optical module). Port 1-2 support IEEE 802.3 af/at PoE standard. It can support DC redundant power supply input and DIN rail mounting.	36W/60W
ONV-IPS1032PF-A	Unmanaged industrial PoE fiber switch with 2*10/100M RJ45 ports and 1*155M uplink SC fiber port (1310nm/20km single-mode single fiber optical module). Port 1-2 support IEEE 802.3 af/at PoE standard. It can support DC redundant power supply input and DIN rail mounting.	36W/60W
ONV-IPS1032PF-B	Unmanaged industrial PoE fiber switch with 2*10/100M RJ45 ports and 1*155M uplink SC fiber port (1550nm/20km single-mode single fiber optical module). Port 1-2 support IEEE 802.3 af/at PoE standard. It can support DC redundant power supply input and DIN rail mounting.	36W/60W

Note: The power supply is not included, and needs to be purchased separately.

PACKING LIST

	Content	Qty	Unit
Packing List	3-port 10/100M industrial PoE fiber switch	1	SET
	User Guide	1	PC
	Warranty Card	1	PC

POWER SUPPLY

Product	Model	Description	Unit
36W Desktop Power Adapter	GWS-AP36-52	Desktop 36W single set of output power adapter Input Voltage: AC100V~240V 50-60Hz, 0.56A Output Voltage: DC52V, 0.7A Operation Temperature: -20°C to +65°C	PC
65W Desktop Power Adapter	GWS-AP65-52	Desktop 65W single set of output power adapter Input Voltage: AC100V~240V 50-60Hz, 1.1A Output Voltage: DC52V, 1.25A Operation Temperature: -20°C to +65°C	PC
36W DIN Rail Industrial Power Supply	GWS-DP36-48	DIN Rail 36W single set of output power supply Input Voltage: AC100V~240V 50-60Hz, 0.56A Output Voltage: DC48V 0.75A Operation Temperature: -40°C to +70°C	PC
60W DIN Rail Industrial Power Supply	GWS-DP60-48	DIN Rail 60W single set of output power supply Input Voltage: AC100V~240V 50-60Hz, 1.0A Output Voltage: DC48V, 1.25A Operation Temperature: -40°C to +70°C	PC

CONTACT US



Optical Network Video Technologies (Shenzhen) Co., Ltd.

Tel: 0086-755-33376606

Fax: 0086-755-33376608

WeChat: ONV-PoE-IoT

Email: onv@onv.com.cn

Skype: onv@onv.com.cn

Website: www.onvcom.com

Headquarter Address: Room 1003, Block D, Terra Building, Futian District, Shenzhen, China

Factory Address: Floor 4-6, Building A, Senyutai Industrial Park, No. 111, Huaning Road, Xinshi Community, Dalang Street, Longhua District, Shenzhen, China

