

Product Datasheet

6-port Full Gigabit PoE Fiber Switch

(ONV-H3054PFD)



OVERVIEW

The ONV-H3054PFD is an unmanaged gigabit PoE switch independently developed by ONV. It has 1*1000Base-X uplink SFP fiber port and 1*10/100/1000Base-T uplink RJ45 port and 4*10/100/1000Base-T RJ45 ports. Port 1-4 can support IEEE 802.3 af/at PoE standard, and single-port PoE power up to 30W. As a PoE power supply device, it can automatically detect and recognize the power receiving equipment that meets the standard and supply power through the network cable. It can supply power to PoE terminal equipment such as wireless AP, IP camera, VoIP phone, video access control intercom, etc. through a network cable to meet the network environment that needs a high-density PoE power supply. It is suitable for hotels, campuses, factory quarters, and small and medium-sized enterprises to form an economy efficient network. Unmanaged mode, plug and play, no configuration, easy to use.

FEATURE

■ Full gigabit rate, uplink optical port

- ◇ Support non-blocking wire-speed forwarding for smoother transmission.
- ◇ Support full-duplex based on IEEE 802.3x and half-duplex based on Backpressure.

- ◇ Provides Gigabit Ethernet ports and SFP ports uplink for flexible networking and meets the networking requirements of various scenarios.

■ Smart PoE power supply

- ◇ 4*10/100/1000Base-T RJ45 ports support PoE power to meet the needs of PoE power in various scenarios in the security field.
- ◇ Comply with PoE+ power standard, automatically identify PoE devices for power without damaging non-PoE devices, and the single port max PoE output power is 30W.
- ◇ PoE port supports the watchdog function, which automatically detects the data communication status in real-time. When the port communication fails, the corresponding port PoE will automatically restart and repair the network communication by itself.

■ Stable and reliable, easy to use

- ◇ CCC, CE, FCC, RoHS.
- ◇ Plug and play, no configuration, simple and convenient.
- ◇ The user-friendly panel can show the device status through the LED indicator of PWR, Link, and PoE.
- ◇ Self-developed power supply, high redundancy design, providing a long-term and stable PoE power output.
- ◇ Low power consumption, no fan, galvanized steel casing, excellent heat dissipation to ensure the stable operation of the switch.

■ Innovative function

- ◇ **PoE watchdog:** The watchdog function is enabled by default for ports 1 to 4, which can automatically detect the data communication status in real-time. When the port communication fails, the corresponding port POE will automatically restart, and the network communication can be repaired by itself, eliminating manual maintenance costs.
- ◇ **Long-distance and VLAN mode (250m):** switch to ON position (default off), the port 1 to 4 rate is 10M, and the physical VLAN isolation function is turned on at the same time to suppress broadcast storms and improve network performance. Using the existing twisted pair

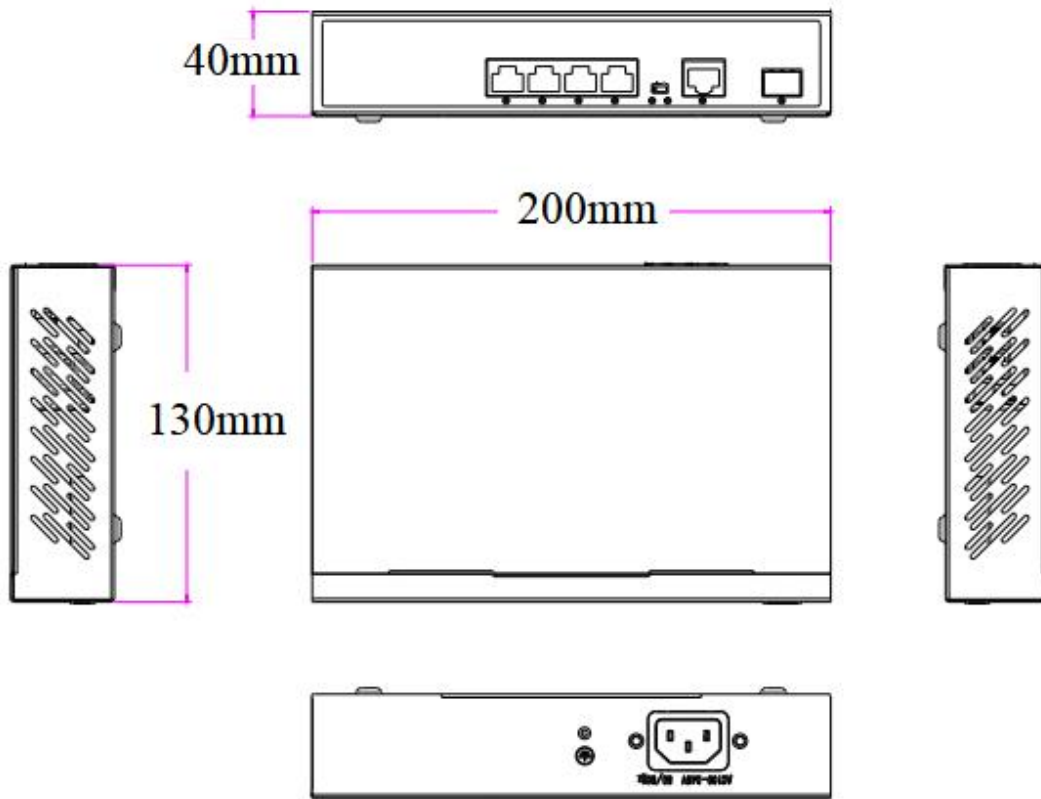
can break through the 100 meters transmission limit, and the transmission distance can be up to 250 meters. At the same time, it can solve the problem of poor transmission caused by aging lines.

TECHNICAL SPECIFICATION

| Model | ONV-H3054PFD |
|----------------------------------|---|
| Interface Characteristics | |
| Fixed Port | 1*1000Base-X uplink SFP fiber port (Data) 1*10/100/1000Base-T uplink RJ45 port (Data) 4*10/100/1000Base-T PoE ports (Data/Power) |
| Ethernet Port | Port 1-5 can support 100/1000Base-T(X) auto-sensing, full/ half duplex MDI/ MDI-X self-adaption |
| Twisted Pair Transmission | 10BASE-T: Cat3,4,5 UTP (≤250 meters) 100BASE-TX: Cat5 or later UTP (≤100 meters) 1000BASE-T: Cat5e or later UTP (≤100 meters) |
| Optical Fiber Port | Gigabit optical fiber port, default no include optical module(optional single-mode/ multi-mode, single fiber/ dual fiber optical module. LC) |
| Optical Cable/ Distance | Multi-mode: 850nm/ 0-550m Single-mode: 1310nm/ 0-40km, 1550nm/ 0-120km |
| Functional Switch | 250m : long-distance and VLAN isolation function (Default off, Use:on), After opening, the transmission rate of port 1-4 is 10M/250 meters transmission. |
| Chip Parameter | |
| Network Protocol | IEEE802.3 10BASE-T, IEEE802.3i 10Base-T, IEEE802.3u 100Base-TX IEEE802.3ab 1000Base-T, IEEE802.3z 1000Base-X, IEEE802.3x |
| Forwarding Mode | Store and Forward (Full Wire Speed) |
| Switching Capacity | 12Gbps (Non-blocking) |
| Forwarding | 8.93Mpps |

| | |
|-------------------------------------|--|
| Rate@64byte | |
| MAC | 2K |
| Buffer Memory | 2M |
| Jumbo Frame | 9.2K |
| LED Indicator | Power: PWR (Green), Network: Link (Green), PoE: PoE (Red), Functional switch: 100m/250m (Green) |
| PoE & Power Supply | |
| PoE Port | Port 1 to 4 |
| Power Supply Pin | 1/2(+) 3/6(-) |
| Max Power Per Port | 30W, IEEE 802.3af/at |
| Total PWR / Input Voltage | 65W/ (AC100-240V) |
| Power Consumption | Standby <3W, Full load <65W |
| Power Supply | Built-in power supply, AC100~240V 50-60Hz, 1.0A |
| Physical Parameter | |
| Operation TEMP/ Humidity | -20~+55°C, 5%~90% RH Non condensing |
| Storage TEMP/ Humidity | -40~+80°C, 5%~95% RH Non condensing |
| Dimension (L*W*H) | 200*130*40mm |
| Net /Gross Weight | <0.6kg / <0.9kg |
| Installation | Desktop, Wall mounted |
| Certification & Warranty | |
| Lightning Protection | Lightning protection: 4KV 8/20us, Protection level: IP30 |
| Certification | CCC, CE mark, commercial, CE/LVD EN62368-1, FCC Part 15 Class B, RoHS |
| Warranty | 1 year, lifelong maintenance. |

DIMENSION



APPLICATION

ORDERING INFORMATION

| Model | Description | Power Supply |
|--------------|--|--------------|
| ONV-H3054PFD | Unmanaged PoE switch with 5*10/100/1000M RJ45 ports and 1*1000Base-X uplink SFP fiber ports. Port 1-4 can support PoE+ standard. PoE watchdog function is turned on by default, switch the functional switch (250m), port 1-4 rate is 10M/250m transmission and built-in power supply. | 52V/65W |

PACKING LIST

| | Content | Qty | Unit |
|--------------|--------------------------------------|-----|------|
| Packing List | 6-port full gigabit PoE fiber switch | 1 | SET |
| | AC Power Line | 1 | PC |
| | User Guide | 1 | PC |
| | Warranty Card | 1 | PC |

CONTACT US

ONV Optical Network Video Technologies (Shenzhen) Co., Ltd.

Tel: 0086-755-33376606

Fax: 0086-755-33376608

WeChat: ONV-PoE-IoT

Email: onv@onv.com.cn

Skype: onv@onv.com.cn

Website: www.onvcom.com

Headquarter Address: Room 1003, Block D, Terra Building, Futian District, Shenzhen, China

Factory Address: Floor 4-6, Building A, Senyutai Industrial Park, No. 111, Huaning Road, Xinqi

Community, Dalang Street, Longhua District, Shenzhen, China

