

Product Datasheet

10-port Full Gigabit Cloud Managed Ethernet Switch (ONV-H5108FM)



OVERVIEW

The ONV-H5108FM is a full Gigabit cloud managed Ethernet fiber switch independently developed by ONV. It has 8*10/100/1000Base-T adaptive RJ45 ports and 2*1000Base-X uplink SFP fiber ports. Each port supports wire-speed forwarding.

The ONV-H5108FM supports Web management and supports the ONV-NMS management platform and cloud APP management at the same time. Multiple ring network protocols RSTP (<50ms) improve link backup and network reliability, reduce the number of spliced fibers and network nodes, improve construction efficiency, and when the one-way network fails, communication can be quickly restored to ensure uninterrupted communication of important transmissions. It can realize functions such as security network topology management, link aggregation, port management, port mirroring, and remote operation and maintenance. The ONV-H5108FM has high reliability, is easy to install and maintain, has fast switching function, and multiple access ports, and is suitable for accessing LAN devices of various scales. It is suitable for hotels, campuses, parks, supermarkets, scenic spots, factory dormitories, and SMB small and medium-sized enterprises to form cost-effective networks.

FEATURE

■ Gigabit access, Dual SFP port uplink

- ◇ Support non-blocking wire-speed forwarding.
- ◇ Support full-duplex based on IEEE802.3x and half-duplex based on Backpressure.
- ◇ Support Gigabit Ethernet port and Gigabit SFP port combination, which enables users to flexibly build networking to meet the needs of various scenarios.

■ Extreme optimization, minimalist application

- ◇ Support remote upgrade, remote restart, restore factory settings.
- ◇ Support real-time fault alarm, fault location, automatic order dispatch.
- ◇ Support local platform, cloud platform and mobile APP O&M management.
- ◇ Visual network topology management, VLAN division, QoS, link aggregation, loop protection, port mirroring, port control and bandwidth management.
- ◇ According to the application requirements, the complex network management configuration is abandoned, and the practical network management functions are retained. The network deployment and centralized O&M can be quickly realized through the O&M platform.

■ Stable and reliable

- ◇ CCC, CE, FCC, and RoHS.
- ◇ Low power consumption, no fan, galvanized steel casing, and excellent heat dissipation ensure the stable operation of the switch.
- ◇ The user-friendly panel can show the device status through the LED indicator of PWR, SYS, Link, and L/A.

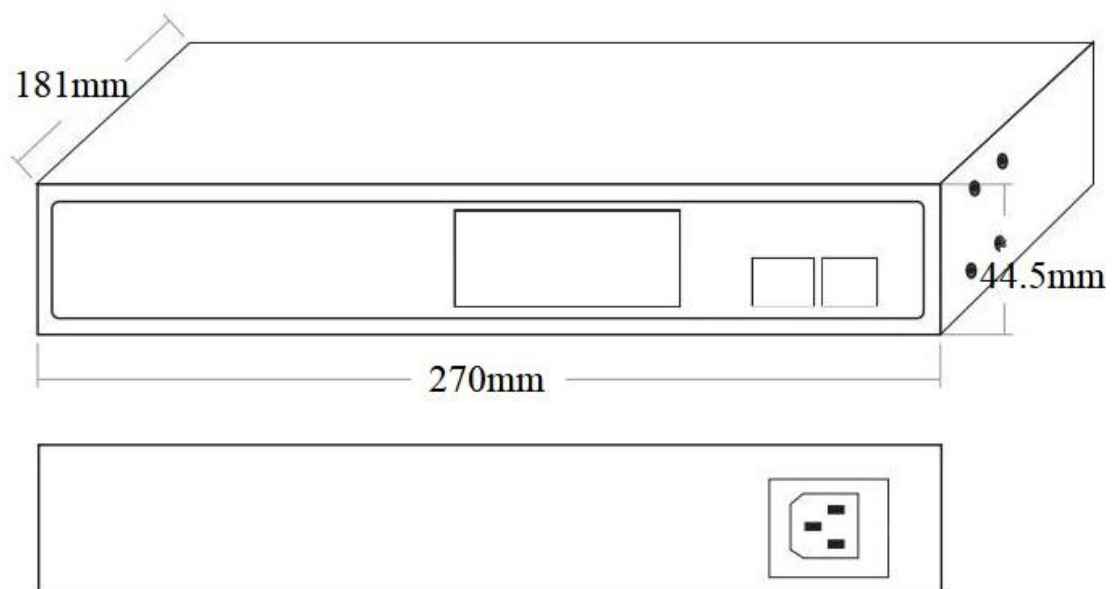
TECHNICAL SPECIFICATION

Model	ONV-H5108FM
Interface Characteristics	
Fixed Port	8*10/100/1000Base-T RJ45 ports (Data) 2*1000Base-X uplink SFP fiber ports (Data)
Ethernet Port	Port 1-8 support 10/100/1000Base-T(X) auto-sensing, full/ half duplex MDI/ MDI-X self-adaption
Twisted Pair Transmission	10BASE-T: Cat3,4,5 UTP (≤100 meters) 100BASE-TX: Cat5 or later UTP (≤100 meters) 1000BASE-T: Cat5e or later UTP (≤100 meters)
SC Slot Port	Gigabit optical fiber interface, default no include optical module (optional single-mode/ multi-mode, single fiber/ dual fiber optical module. LC)
Optical Cable/ Distance	Multi-mode: 850nm/ 0-500m Single-mode: 1310nm/ 0-40km, 1550nm/ 0-120km.
Chip Parameter	
Network Management	L2 (Web management, platform management)
Network Protocol	IEEE802.3 10BASE-T, IEEE802.3i 10Base-T, IEEE802.3u 100Base-TX IEEE802.3ab 1000Base-T, IEEE802.3z 1000Base-X, IEEE802.3x
Forwarding Mode	Store and Forward(Full Wire Speed)
Switching Capacity	20Gbps (Non-blocking)
Forwarding Rate@64byte	14.88Mpps
MAC	8K
Buffer Memory	2M
Jumbo Frame	9.2K
LED Indicator	Power: PWR (Green), System: SYS (Green) Network: Link (Yellow), Fiber port: L/A (Green)

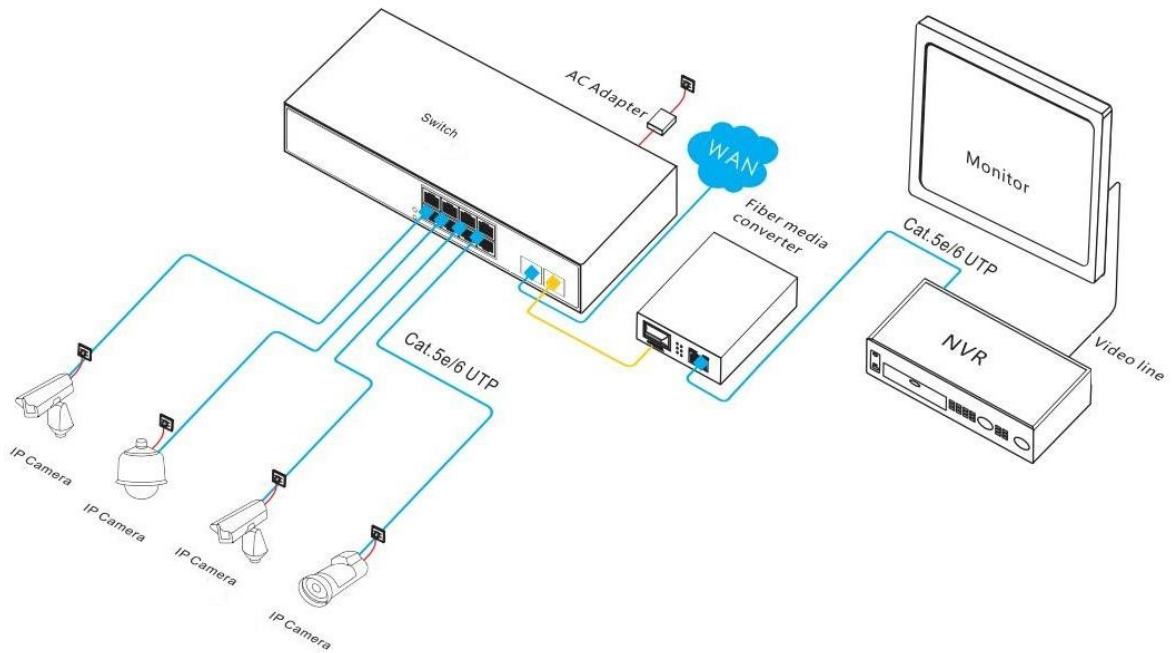
Reset Switch	Press and hold for 6s and release to restore the factory settings, short press 2 times (1s interval) to switch to the unmanaged state
Power Supply	
Total PWR / Input Voltage	20W/ (AC100-240V)
Power Consumption	Standby<5W, Full load<10W
Power Supply	Built-in power supply, AC 100~240V 50-60Hz, 0.56A
Physical Parameter	
Operation TEMP / Humidity	-20°C~+55°C, 5%~90% RH Non condensing
Storage TEMP / Humidity	-40°C~+80°C, 5%~95% RH Non condensing
Dimension (L*W*H)	270*181*44.5mm
Net /Gross Weight	1.05kg / 1.55kg
Installation	Desktop, wall-mount, rack-mount
Certification & Warranty	
Lightning Protection	Lightning protection: 4KV 8/20us, Protection level: IP30
Certification	CCC, CE mark, commercial, CE/LVD EN62368-1, FCC Part 15 Class B, RoHS
Warranty	1 year, lifelong maintenance.
Network Management Feature	
Interface	Port status display, Port traffic statistics Port duplex/negotiation rate configuration EEE Energy-saving and green Ethernet function IEEE802.3x flow control configuration (Full-duplex)
VLAN	Port-based IEEE802.1Q VLAN configuration (4K)
Port Aggregation	Static aggregation
Loop Protection	Loop protection function, Prevent ring network failure function

Multicast	IGMP Snooping v1/v2, Max 256 multicast groups
Port Mirroring	Bidirectional data mirroring based on port
QoS	Diff-Serv QoS, Priority Mark/Remark 8*Output queues of each port, 802.1p/ DSCP priority mapping
Security	Broadcast storm control, Port isolation, Port speed limit
DHCP	DHCP Snooping
Management	Mobile APP operation and maintenance management One-key recovery, Cable Diagnose, Web Management (https) ONV-NMS platform management (Local platform/ Cloud platform)
System	Web browser: Mozilla Firefox 2.5 or higher, Google Chrome V42 or higher, Cat5 and above Ethernet cable TCP/IP, network adapter, and network operating system (such as Microsoft Windows, Linux, Mac OS X) installed on each computer in the network Cat5 and above Ethernet cable

DIMENSION



APPLICATION



ORDERING INFORMATION

Model	Description	Power Supply
ONV-H5108FM	Cloud managed Ethernet fiber switch with 8*10/100/1000M RJ45 ports and 2*1000M uplink SFP fiber ports. It support desktop, wall-mount, and rack-mount.	20W

PACKING LIST

	Content	Qty	Unit
Packing List	10-port full Gigabit cloud managed Ethernet switch	1	SET
	AC Power Cable	1	PC
	User Guide	1	PC
	Warranty Card	1	PC

RELATED PRODUCT

Model	Description
ONV-H5064FM-4DC	Cloud managed Ethernet fiber switch with 4*10/100/1000M RJ45 ports and 2*1000M uplink SC fiber ports (default single-mode single fiber A and B terminal). It support 4*DC12V output. Built-in power supply.

CONTACT US

ONV Optical Network Video Technologies (Shenzhen) Co., Ltd.

Tel: 0086-755-33376606

Fax: 0086-755-33376608

WeChat: ONV-PoE-IoT

Email: onv@onv.com.cn

Skype: onv@onv.com.cn

Website: www.onvcom.com

Headquarter Address: Room 1003, Block D, Terra Building, Futian District, Shenzhen

Factory Address: Floor 4-6, Building A, Senyutai Industrial Park, No. 111, Huaning Road,

Xinshi Community, Dalang Street, Longhua District, Shenzhen

