

## Product Datasheet

# 6-port Full Gigabit Industrial bt PoE Switch

(ONV-IPS33064P-bt)



## OVERVIEW

The ONV-IPS33064P-bt is a full gigabit unmanaged industrial bt PoE switch independently developed by ONV. It has 6\*10/100/1000M adaptive RJ45 ports. Port 1-4 IEEE 802.3 af/at/bt PoE standard and single-port PoE power output is 90W. As a PoE power supply device, it can automatically detect and recognize the power-receiving equipment that meets the standard and supply power through the network cable. It provides stable and safe terminals for PTZ network domes, high-power wireless AP, high-power network multimedia speakers, and high-power POE lighting through a network cable to meet the network environment that needs a high-density PoE power supply. It is suitable for intelligent transportation, rail transit, electric power, mining, metallurgy, green energy, and industrial scenes such as construction to set up a cost-effective and stable communication network. Unmanaged mode, plug and play, no configuration, easy to use.

## FEATURE

### ■ Gigabit full-line speed forwarding

- ◇ Support non-blocking wire-speed forwarding.
- ◇ Support full-duplex based on IEEE802.3x and half-duplex based on Backpressure.
- ◇ Gigabit RJ45 ports and dual RJ45 ports combination, high-speed high-bandwidth connection, to meet the networking needs of various scenarios.

### ■ Smart PoE power supply

- ◇ 4\*10/100/1000Base-T RJ45 ports can support bt PoE power supply, meeting the demand for super high power PoE power supply in various scenarios.
- ◇ The max single-port output power PoE is 90W backward compatibility IEEE802.3 af/at PoE power supply standard automatically identifies PoE devices for power supply without damaging non-PoE devices.
- ◇ Priority system for PoE port will supply power to the high priority level port first when the power budget is insufficient and avoid overwork of the device.

### ■ Stable and reliable

- ◇ CCC, CE, FCC, RoHS.
- ◇ Low power consumption, no fan, aluminum shell, and excellent heat dissipation to ensure the stable operation of the switch.
- ◇ The user-friendly panel can show the device status through the LED indicator of PWR, Link, and PoE.

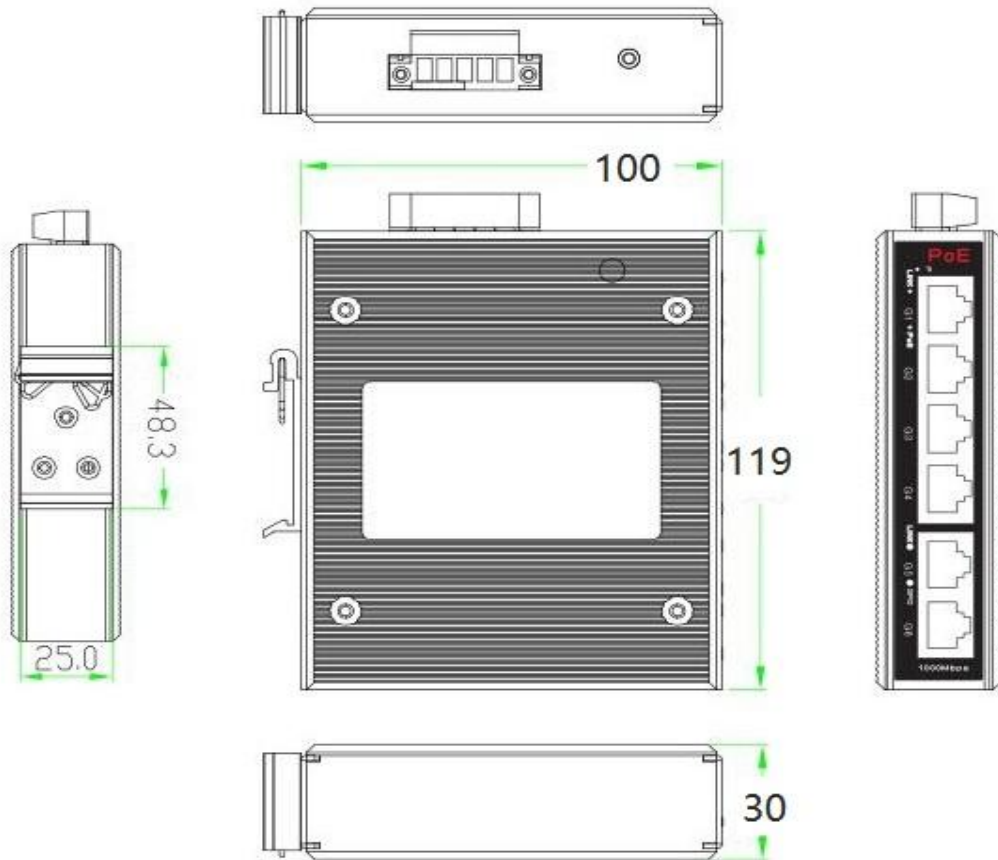
## TECHNICAL SPECIFICATION

Model	ONV-IPS33064P-bt
<b>Interface Characteristics</b>	
Fixed Port	2*10/100/1000M uplink RJ45 ports (Data) 4*10/100/1000M bt PoE ports (Data /Power) 2 group of V+, V- redundant DC power interface (5P Phoenix terminal)

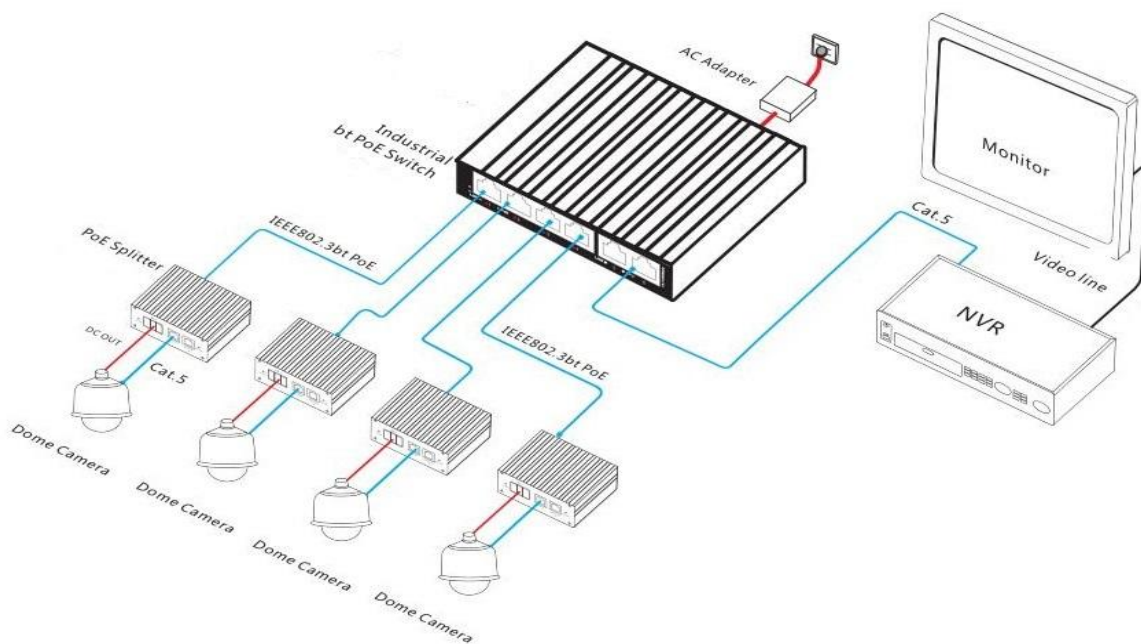
Ethernet Port	Port 1-6 can support 10/100/1000Base-T auto-sensing, full/ half duplex MDI/ MDI-X self-adaption
Twisted Pair Transmission	10BASE-T: Cat3,4,5 UTP (≤100 meters) 100BASE-TX: Cat5 or later UTP (≤100 meters) 1000BASE-T: Cat5e or later UTP (≤100 meters)
<b>Chip Parameter</b>	
Network Protocol	IEEE802.3 10BASE-T, IEEE802.3i 10Base-T IEEE802.3u 100Base-TX, IEEE802.3u 1000Base-T, IEEE802.3x
Forwarding Mode	Store and Forward (Full Wire Speed)
Switching Capacity	12Gbps (Non-blocking)
Forwarding Rate@64byte	8.93Mpps
MAC	2K
Buffer Memory	2M
Jumbo Frame	9.2K
LED Indicator	Power: PWR (Green), Network: Link (Yellow), PoE: PoE (Green)
<b>PoE &amp; Power Supply</b>	
PoE Port	Port 1-4
Power Supply Pin	1/2(+) 3/6(-) 4/5(+) 7/8(-)
Max Power Per Port	90W, IEEE 802.3 af/at/bt
Power Consumption	Standby<6W, Full Load af<60W, at<120W, bt<240W
Input Voltage / Interface	DC48-57V, 5P industrial phoenix terminal, anti-reverse protection
Power Supply	No, optional 48V/120W or 48V/240W or 48V/480W industrial power supply
<b>Physical Parameter</b>	
Operation TEMP / Humidity	-20~+80°C, 5%~90% RH Non condensing
Storage TEMP / Humidity	-40~+85°C, 5%~95% RH Non condensing

Dimension (L*W*H)	119*100*30mm
Net /Gross Weight	0.4kg /0.5kg
Installation	Desktop, 35mm DIN Rail
<b>Certification &amp; Warranty</b>	
Lightning Protection	<p>Protection level: IP40</p> <p>Lightning protection: 6KV 8/20us</p> <p>IEC61000-4-3 (RS):10V/m (80~1000MHz)</p> <p>FCC Part 15/CISPR22 (EN55022): Class B</p> <p>IEC61000-6-2 (Common Industrial Standard)</p> <p>IEC61000-4-9 (Pulsed magnet field): 1000A/m</p> <p>IEC61000-4-10 (Damped oscillation): 30A/m 1MHz</p> <p>IEC61000-4-12/18 (Shockwave): CM 2.5kV, DM 1kV</p> <p>IEC61000-4-4(EFT): Power cable: ±4kV; data cable: ±2kV</p> <p>IEC61000-4-16 (Common-mode transmission): 30V, 300V,1s</p> <p>IEC61000-4-2 (ESD): ±8kV contact discharge, ±15kV air discharge</p> <p>IEC61000-4-6 (Radio frequency transmission): 10V(150kHz~80MHz)</p> <p>IEC61000-4-8 (Power frequency magnetic field): 100A/m, 1000A/m, 1s-3s</p> <p>IEC61000-4-5 (Surge): Power cable: CM±4kV/ DM±2kV, data cable: ±4kV</p>
Mechanical Properties	<p>IEC60068-2-6 (Anti Vibration), IEC60068-2-27 (Anti Shock),</p> <p>IEC60068-2-32 (Free Fall)</p>
Certification	<p>CCC, CE mark, commercial, CE/LVD EN62368-1, FCC Part 15 Class B,</p> <p>RoHS</p>
Warranty	5 years, lifelong maintenance.

## DIMENSION



## APPLICATION



## ORDERING INFORMATION

Model	Description	Recommended Power Supply
ONV-IPS33064P-bt	Unmanaged industrial bt PoE switch with 6*10/100/1000M RJ45 ports. Port 1-4 can support IEEE 802.3 af/at/bt PoE standard. It can support dual DC power input and DIN rail mounting.	60W/120W/240W
<b>Note:</b> The power supply is not included and needs to be purchased.		

## PACKING LIST

Packing List	Content	Qty	Unit
	6-port full gigabit industrial bt PoE switch	1	SET
	User Guide	1	PC
	Warranty Card	1	PC

## POWER SUPPLY

Product	Model	Description	Unit
60W DIN Rail Industrial Power Supply	GWS-DP60-48	DIN Rail 60W single set of output power supply Input Voltage: AC100V~240V 50-60Hz, 1.0A Output Voltage: DC48V, 1.25A Operation Temperature: -40°C to +70°C	PC
120W DIN Rail Industrial Power Supply	GWS-DP120-48	DIN Rail 120W single set of output power supply Input Voltage: AC100V~240V 50-60Hz, 2.3A Output Voltage: DC48V, 2.5A Operation Temperature: -40°C to +70°C	PC
240W DIN Rail Industrial Power Supply	GWS-DP240-48	DIN Rail 240W single set of output power supply Input Voltage: AC100V~240V 50-60Hz, 3.0A	PC

Supply	Output Voltage: DC48V, 5.0A
	Operation Temperature: -40°C to +70°C

## RELATED PRODUCT

Model	Description
ONV-IPS31004PF-bt	Unmanaged industrial bt PoE fiber switch with 4*10/100M RJ45 ports and 1*155M uplink SC fiber port. Port 1-4 can support IEEE 802.3 af/at/bt PoE standard. It can support dual DC power input and DIN rail mounting.
ONV-IPS31064P-bt	Unmanaged industrial bt PoE fiber switch 6*10/100M RJ45 ports. Port 1-4 can support IEEE 802.3 af/at/bt PoE standard. It can support dual DC power input and DIN rail mounting.
ONV-IPS33064PF-bt	Unmanaged industrial bt PoE fiber switch with 4*10/100/1000M RJ45 ports and 2*1000M uplink SFP fiber ports. Port 1-4 can support IEEE 802.3 af/at/bt PoE standard. It can support dual DC power input and DIN rail mounting.
ONV-IPS33064PFG-bt	Unmanaged industrial bt PoE fiber switch with 5*10/100/1000M RJ45 ports and 1*1000M uplink SFP fiber port. Port 1-4 can support IEEE 802.3 af/at/bt PoE standard. It can support DC power input and DIN rail mounting.
ONV-IPS33064PFM-bt	L2+ managed industrial bt PoE fiber switch with 4*10/100/1000M RJ45 ports and 2*100/1000M uplink SFP fiber ports. Port 1-4 can support IEEE 802.3 af/at/bt PoE standard. It can support dual DC power input and DIN rail mounting.

## CONTACT US

**ONV** Optical Network Video Technologies (Shenzhen) Co., Ltd.

Tel: 0086-755-33376606

Fax: 0086-755-33376608

Email: [onv@onv.com.cn](mailto:onv@onv.com.cn)

Skype: [onv@onv.com.cn](https://www.skype.com/people/onv@onv.com.cn)

WeChat ID: ONV-PoE-IoT

Website: [www.onvcom.com](http://www.onvcom.com)

Headquarter Address: Room 1003, Block D, Terra Building, Futian District, Shenzhen

Factory Address: Building B3, Galaxy Artificial Intelligence Industrial Park, No. 333, Zhongkai 6th Road, Chenjiang Street, Zhongkai High-tech Zone, Huizhou