

Product Datasheet

19-port Gigabit Uplink Non-standard PoE Switch

(ONV-H2016PFG)



OVERVIEW

The ONV-H2016PFG is a gigabit uplink non-standard PoE fiber switch independently developed by ONV. It has 16*10/100M RJ45 ports, 2*10/100/1000M uplink RJ45 ports, and 1*1000M uplink SFP fiber port. Ports 1-16 can support 24V non-standard PoE power supply and single-port PoE power up to 24W. As a non-standard PoE power supply device, it must be connected to the corresponding non-standard electrical equipment (such as wireless bridge, building visual intercom, etc.), or the non-standard PoE splitter to convert, and then achieve the PoE power supply. It can supply power to various adaptable terminals through network cables to meet the demand for a high-density PoE power supply network environment. It is suitable for hotels, campuses, factory dormitories, and small and medium-sized enterprises to establish cost-effective networks. Unmanaged mode, plug and play, no configuration, easy to use.

FEATURE

■ 10/100M access, gigabit uplink RJ45 and SFP port

- ◇ Support non-blocking wire-speed forwarding.
- ◇ Support full-duplex based on IEEE802.3x and half-duplex based on Backpressure.
- ◇ Provides 10/100M RJ45 port and Gigabit RJ45 and SFP port, which is more convenient for

users to flexibly set up to meet the network requirements of various scenarios.

■ Smart PoE power supply

- ◇ Quickly implement PoE network cable power supply through the switch to directly connect non-standard electrical equipment or the switch and non-standard PoE splitter cable.
- ◇ 16*10/100Base-TX RJ45 ports can support 24V PoE power supply meeting the needs of security monitoring, teleconferencing system, wireless coverage, and other scenarios.

■ Stable and reliable, easy to use

- ◇ CCC, CE, FCC, RoHS.
- ◇ Plug and play, no configuration, simple and convenient.
- ◇ The user-friendly pane can show the device status through the LED indicator of PWR and PoE.
- ◇ Low power consumption, galvanized steel casing, and excellent heat dissipation ensure the stable operation of the switch.
- ◇ Long-distance mode (250m): Turn the switch to ON (default off), the rate of ports 9-16 is reduced to 10M, the transmission distance can reach 250 meters, and it can also solve the problem of poor transmission caused by aging lines.

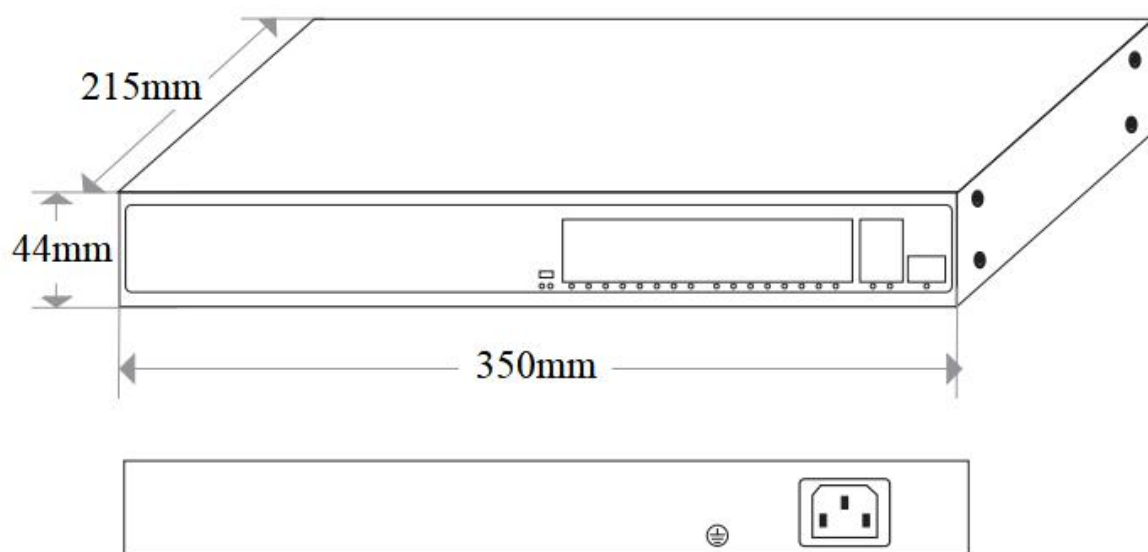
TECHNICAL SPECIFICATION

Model	ONV-H2016PFG	ONV-H2024PFG
Interface Characteristics		
Fixed Port	16*10/100Base-TX PoE ports (Data/Power)	24*10/100Base-TX PoE ports (Data/Power)
	2*10/100/1000Base-T uplink RJ45 ports (Data)	2*10/100/1000Base-T uplink RJ45 ports (Data)
	1*1000Base-X uplink SFP fiber port (Data)	1*1000Base-X uplink SFP fiber port (Data)
Ethernet Port	Port 1-16/ 1-24 support 10/100Base-T(X) and Port 17-18/ 25-26 support 100/1000Base-T(X) auto-sensing, full/ half duplex MDI/ MDI-X self-adaption	

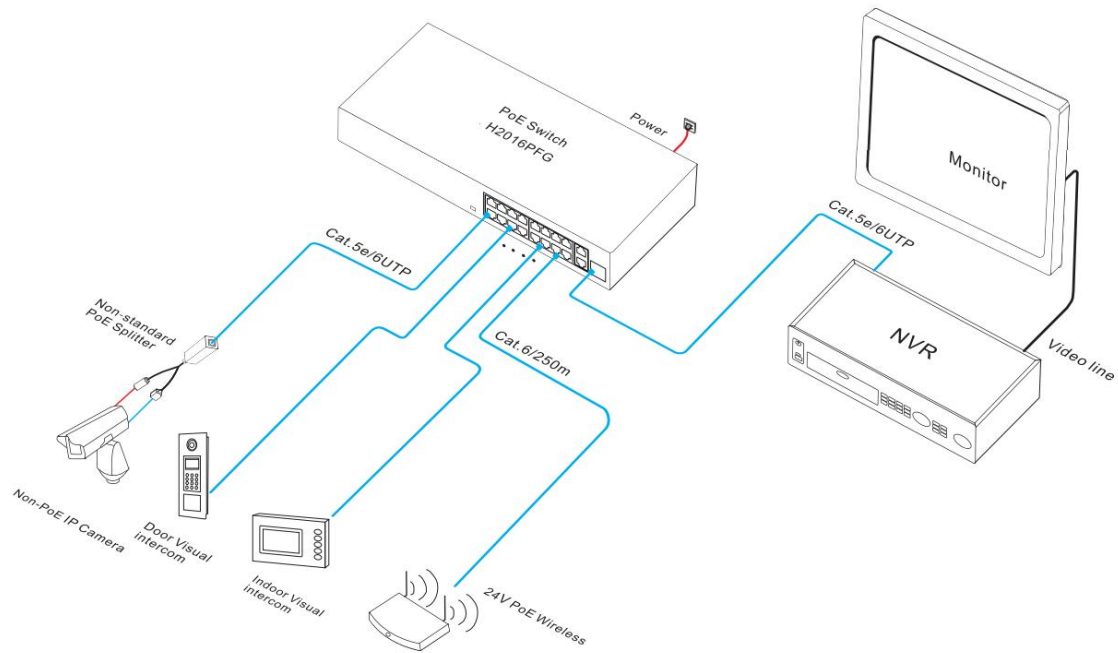
Twisted Pair Transmission	10BASE-TX : Cat5 or later UTP (≤250 meters) 100BASE-TX: Cat5 or later UTP (≤100 meters) 1000BASE-T :Cat5e or later UTP (≤100 meters)	
Optical Fiber Port	Gigabit optical fiber port, default no include optical module (optional single-mode/ multi-mode, single fiber/ dual fiber optical module. LC/SC)	
Optical Cable/ Distance	Multi-mode:850nm/ 0-500m Single-mode:1310nm/ 0-40km, 1550nm/ 0-120km	
Functional Switch	Port 9-16/ 17-24 can support 10M/250 meters transmission when the functional switch is on 250m.	
Chip Parameter		
Network Protocol	IEEE802.3 10BASE-T, IEEE802.3i 10Base-T, IEEE802.3u 100Base-TX IEEE802.3ab 1000Base-T, IEEE802.3z 1000Base-X, IEEE802.3x	
Forwarding Mode	Store and Forward (Full Wire Speed)	
Switching Capacity	9.2Gbps (Non-blocking)	10.8Gbps (Non-blocking)
Forwarding Rate@64byte	6.84Mpps	8.04Mpps
MAC	2K	
Buffer Memory	2.75M	
Jumbo Frame	9216B	
LED Indicator	Power: PWR (Green), Network: Link (Green), PoE: PoE(Green) Fiber port: L/A (Green), Functional Switch: 100m/250m (Green)	
PoE & Power Supply		
PoE Port	Port 1-16	Port 1-24
Power Supply Pin	4/5(+) 7/8(-)	
Max Single Port PoE Power	24W, non-standard PoE+	
Total PWR / Input Voltage	250W /(AC100-240V)	
Power Consumption	Standby<5W, Full Load<240W	Standby<8W, Full Load<250W

Power Supply	Built-in power supply, AC100~240V 50-60Hz, 2.2A	Built-in power supply, AC100~240V 50-60Hz, 4.1A
Physical Parameter		
Operation TEMP / Humidity	-20°C~+55°C, 5%~90% RH Non condensing	
Storage TEMP / Humidity	-40°C~+80°C, 5%~95% RH Non condensing	
Dimension (L*W*H)	350*215*44mm	
Net /Gross Weight	1.9kg / 2.45kg	1.9kg / 2.4kg
Installation	Desktop, Rack-mounted	
Certification & Warranty		
Lightning Protection	Lightning protection: 4KV 8/20us, Protection level: IP30	
Certification	CCC, CE mark, commercial, CE/LVD EN62368-1, FCC Part 15 Class B, RoHS	
Warranty	1 year, lifelong maintenance.	

DIMENSION



APPLICATION



ORDERING INFORMATION

Model	Description	Built-in Power Supply
ONV-H2016PFG	Unmanaged PoE switch with 16*10/100M RJ45 ports and 2*10/100/1000M uplink RJ45 ports and 1*1000M uplink SFP fiber port. Port 1-16 support 24V non-standard PoE+ power supply. Port 9-16 can support 10M/250 meters transmission when the functional switch is on 250m. Built-in power supply.	24V/250W
ONV-H2024PFG	Unmanaged PoE switch with 24*10/100M RJ45 ports and 2*10/100/1000M uplink RJ45 ports and 1*1000M uplink SFP fiber port. Port 1-24 support 24V non-standard PoE+ power supply. Port 17-24 can support 10M/250 meters transmission when the functional switch is on 250m. Built-in power supply.	24V/250W

Note: The optical module is not included and needs to be purchased.

PACKING LIST

	Content	Qty	Unit
Packing List	19-port gigabit uplink non-standard PoE fiber switch	1	PC
	AC Power Cable	1	PC
	User Guide	1	PC
	Warranty Card	1	PC

OPTICAL MODULE

Product	Model	Description	Unit
1.25G Optical Module	2630	SFP optical module, 1.25G multi-mode dual fiber 850nm, transmission distance: 550m, LC interface. supports DDM function and hot plugging.	PC
	2632	SFP optical module, 1.25G single-mode dual fiber 1310nm, transmission distance: 20km, LC interface. supports DDM function and hot plugging.	PC
	2612-T	SFP optical module, 1.25G single-mode single fiber TX1310nm/ RX1550nm, transmission distance: 20km, LC interface. supports DDM function and hot plugging.	PC
	2613-R	SFP optical module, 1.25G single-mode single fiber TX1550nm/ RX1310nm, transmission distance: 20km, LC interface. supports DDM function and hot plugging.	PC
	2612-T-SC	SFP optical module, 1.25G single-mode single fiber TX1310nm/ RX1550nm, transmission distance: 20km, SC interface. supports DDM function and hot plugging.	PC
	2613-R-SC	SFP optical module, 1.25G single-mode single fiber TX1550nm/ RX1310nm, transmission distance: 20km, SC interface. supports DDM function and hot plugging.	PC

CONTACT US



Optical Network Video Technologies (Shenzhen) Co., Ltd.

Tel: 0086-755-33376606

Fax: 0086-755-33376608

Email: onv@onv.com.cn

Skype: [onv@onv.com.cn](https://www.skype.com/people/onv@onv.com.cn)

WeChat ID: ONV-PoE-IoT

Website: www.onvcom.com

Headquarter Address: Room 1003, Block D, Terra Building, Futian District, Shenzhen

Factory Address: Building B3, Galaxy Artificial Intelligence Industrial Park, No. 333, Zhongkai 6th Road, Chenjiang Street, Zhongkai High-tech Zone, Huizhou