

Product Datasheet

11-port Full Gigabit PoE Fiber Switch

(ONV-H3108PFD)



OVERVIEW

The ONV-H3108PFD is a full gigabit unmanaged PoE fiber switch independently developed by ONV. It has 10*10/100/1000Base-T RJ45 ports and 1*1000Base-X uplink SFP fiber port. Port 1-8 can support IEEE 802.3 af/at PoE standard and single-port PoE power up to 30W. As a PoE power supply device, it can automatically detect and recognize the power-receiving equipment that meets the standard and supply power through the network cable. It can supply power to PoE terminal equipment such as wireless AP, IP camera, VoIP phone, video access control intercom, etc. through a network cable to meet the network environment that needs a high-density PoE power supply. It is suitable for hotels, campuses, factory quarters, and small and medium-sized enterprises to form an economy efficient network. Unmanaged mode, plug and play, no configuration, easy to use.

FEATURE

■ Full gigabit rate, optical port uplink

- ◇ Support non-blocking wire-speed forwarding for smoother transmission.
- ◇ Support full-duplex based on IEEE 802.3x and half-duplex based on Backpressure.
- ◇ Provides Gigabit Ethernet ports and SFP port uplink for flexible networking and meets the networking requirements of various scenarios.

■ Smart PoE power supply

- ◇ 8*10/100/1000Base-T RJ45 ports support PoE power to meet the needs of PoE power in various scenarios in the security field.
- ◇ Comply with PoE+ power standard, automatically identify PoE devices for power without damaging non-PoE devices, and the single port max PoE output power is 30W.
- ◇ PoE port supports the watchdog function, which automatically detects the data communication status in real-time. When the port communication fails, the corresponding port PoE will automatically restart and repair the network communication by itself.

■ Stable and reliable, easy to use

- ◇ CCC, CE, FCC, RoHS.
- ◇ Plug and play, no configuration, simple and convenient.
- ◇ The user-friendly panel can show the device status through the LED indicator of PWR, Link, and PoE.
- ◇ Self-developed power supply, high redundancy design, providing a long-term and stable PoE power output.
- ◇ Low power consumption, no fan, galvanized steel casing, excellent heat dissipation to ensure the stable operation of the switch.

■ Innovative function

- ◇ **PoE watchdog:** The watchdog function is enabled by default for ports 1 to 8, which can automatically detect the data communication status in real-time. When the port communication fails, the corresponding port POE will automatically restart, and the network communication can be repaired by itself, eliminating manual maintenance costs.
- ◇ **Long-distance and VLAN mode (250m):** switch to ON position (default off), the port 1 to 8 rate is 10M, and the physical VLAN isolation function is turned on at the same time to suppress broadcast storms and improve network performance. Using the existing twisted pair can break through the 100 meters transmission limit, and the transmission distance can be up to 250 meters. At the same time, it can solve the problem of poor transmission caused by

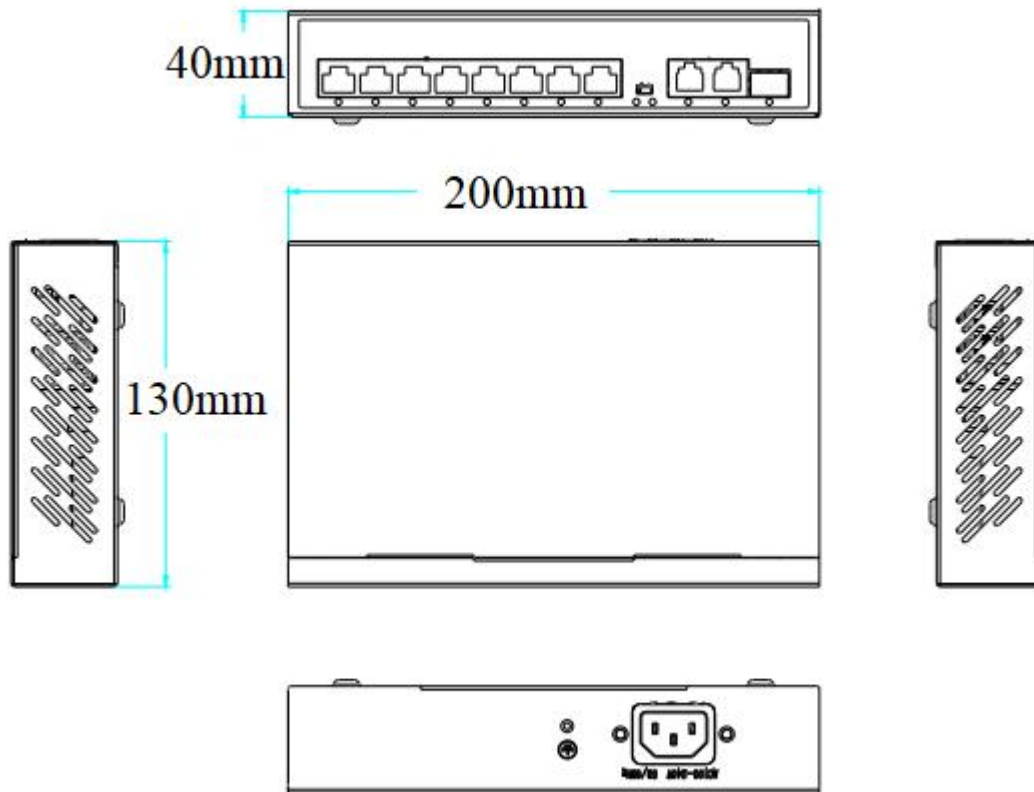
aging lines.

TECHNICAL SPECIFICATION

Model	ONV-H3064PFD	ONV-H3108PFD
Interface Characteristics		
Fixed Port	1*1000Base-X uplink SFP fiber port (Data) 2*10/100/1000Base-T uplink RJ45 ports (Data) 4*10/100/1000Base-T PoE ports (Data/ Power)	1*1000Base-X uplink SFP fiber port (Data) 2*10/100/1000Base-T uplink RJ45 ports (Data) 8*10/100/1000Base-T PoE ports (Data/ Power)
Ethernet Port	Port 1-6/ 1-10 can support 10/100/1000Base-T auto-sensing, full/ half duplex MDI/ MDI-X self-adaption	
Twisted Pair Transmission	10BASE-T: Cat3,4,5 UTP (≤250 meters) 100BASE-TX: Cat5 or later UTP (≤100 meters) 1000BASE-T: Cat5e or later UTP (≤100 meters)	
Optical Fiber Port	Gigabit optical fiber port, default no include optical module (optional single-mode/ multi-mode, single fiber/ dual fiber optical module. LC)	
Optical Cable/ Distance	Multi-mode: 850nm/ 0-550m Single-mode: 1310nm/ 0-40km, 1550nm/ 0-120km	
Functional Switch	250m : long-distance and VLAN isolation function (Default off, Use:on), After opening, the transmission rate of port 1-4/ 1-8 is 10M/250 meters transmission.	
Chip Parameter		
Network Protocol	IEEE 802.3 10BASE-T, IEEE 802.3i 10Base-T, IEEE 802.3u 100Base-TX, IEEE 802.3ab 1000Base-T, IEEE 802.3x	
Forwarding Mode	Store and Forward(Full Wire Speed)	
Switching Capacity	14Gbps (Non-blocking)	22Gbps (Non-blocking)

Forwarding Rate@64byte	10.4Mpps	16.37Mpps
MAC	2K	2K
Buffer Memory	2M	
Jumbo Frame	9.2K	
LED Indicator	Power: PWR (Green), Network: Link (Green), PoE: PoE (Red), Functional switch: 100m/250m (Green)	
PoE & Power Supply		
PoE Port	Port 1 to 4	Port 1 to 8
Power Supply Pin	1/2(+) 3/6(-)	
Max Power Per Port	30W, IEEE 802.3 af/at	
Total PWR / Input Voltage	65W/ (AC100-240V)	120W/ (AC100-240V)
Power Consumption	Standby <3W, Full load <65W	Standby <4W, Full load <120W
Power Supply	Built-in power supply, AC100~240V 50-60Hz, 1.0A	Built-in power supply, AC100~240V 50-60Hz, 2.2A
Physical Parameter		
Operation TEMP/ Humidity	-20~+55°C, 5%~90% RH Non condensing	
Storage TEMP/ Humidity	-40~+80°C, 5%~95% RH Non condensing	
Dimension (L*W*H)	200*130*40mm	
Net /Gross Weight	0.6kg / 0.9kg	0.65kg / 0.95kg
Installation	Desktop, Wall mounted	
Certification & Warranty		
Lightning Protection	Lightning protection: 4KV 8/20us, Protection level: IP30	
Certification	CCC, CE mark, commercial, CE/LVD EN62368-1, FCC Part 15 Class B, RoHS	
Warranty	1 year, lifelong maintenance.	

DIMENSION



APPLICATION

ORDERING INFORMATION

Model	Description	Built-in Power Supply
ONV-H3064PFD	Unmanaged PoE switch with 6*10/100/1000M RJ45 ports and 1*1000Base-X uplink SFP fiber ports. Port 1-4 can support IEEE 802.3 af/at PoE standard. PoE watchdog function is turned on by default, switch the functional switch (250m), port 1-4 rate is 10M/250m transmission and built-in power supply.	52V/65W
ONV-H3108PFD	Unmanaged PoE switch with 10*10/100/1000M RJ45 ports and 1*1000Base-X uplink SFP fiber ports. Port 1-8 can support IEEE 802.3 af/at PoE standard. PoE watchdog function is turned on by default, switch the functional switch (250m), port 1-8 rate is 10M/250m transmission and built-in power supply.	52V/120W

PACKING LIST

	CONTENT	QTY	UNIT
Packing List	11-port full gigabit PoE fiber switch	1	SET
	AC Power Line	1	PC
	User Guide	1	PC
	Warranty Card	1	PC

CONTACT US



Optical Network Video Technologies (Shenzhen) Co., Ltd.

Tel: 0086-755-33376606

Fax: 0086-755-33376608

Email: onv@onv.com.cn

Skype: [onv@onv.com.cn](https://www.skype.com/people/onv@onv.com.cn)

WeChat ID: ONV-PoE-IoT

Website: www.onvcom.com

Headquarter Address: Room 1003, Block D, Terra Building, Futian District, Shenzhen

Factory Address: Building B3, Galaxy Artificial Intelligence Industrial Park, No. 333, Zhongkai 6th Road, Chenjiang Street, Zhongkai High-tech Zone, Huizhou