

## Product Datasheet

# 10-port Full Gigabit bt PoE Fiber Switch

(ONV-POE33108PFG-bt)



## OVERVIEW

The ONV-POE33108PFG-bt is a gigabit bt PoE fiber switch independently developed by ONV. It has 9\*10/100/1000Base-T adaptive RJ45 ports and 1\*1000M uplink SFP fiber port. Port 1-8 can support bt PoE output and are backward compatible with IEEE 802.3 af/at PoE standard and single-port max output power is 90W. As a PoE power supply device, it can automatically detect and recognize the power-receiving equipment that meets the standard and supply power through the network cable. It provides stable and safe terminals for PTZ network domes, high-power wireless AP, high-power network multimedia speakers, high-power POE lighting, etc. through a network cable to meet the network environment that needs a high-density PoE power supply. It is suitable for hotels, campuses, parks, shopping malls, scenic spots, hospitals, factory dormitories, and small and medium-sized enterprises. Unmanaged model, plug and play, no configuration, easy to use.

## FEATURE

### ■ Gigabit access, uplink SFP fiber port

- ◇ Support non-blocking wire-speed forwarding.
- ◇ Support full-duplex based on IEEE802.3x and half-duplex based on Backpressure.

- ◇ Gigabit RJ45 ports and SFP fiber port combination, high-speed high-bandwidth connection, to meet the networking needs of various scenarios.

### ■ Smart PoE power supply

- ◇ 8\*10/100/1000Base-T RJ45 ports can support bt PoE power, meeting the demand for super high power PoE power supply in various scenarios.
- ◇ Priority system for PoE port, It will supply power to the high priority level port first when the power budget is insufficient and avoid overwork of the device.
- ◇ The max output power of single-port PoE is 90W and the backward compatibility IEEE 802.3 af/at PoE standard automatically identifies PoE devices for power supply without damaging non-PoE devices.

### ■ Stable and reliable

- ◇ CCC, CE, FCC, RoHS.
- ◇ Plug and play, no configuration, simple and convenient.
- ◇ Self-developed power supply, high redundancy, providing a long-term and stable PoE power output.
- ◇ The user-friendly panel can show the device status through the LED indicator of PWR, Link, and PoE.
- ◇ Low power consumption, galvanized steel casing, and excellent heat dissipation to ensure stable operation of the switch.

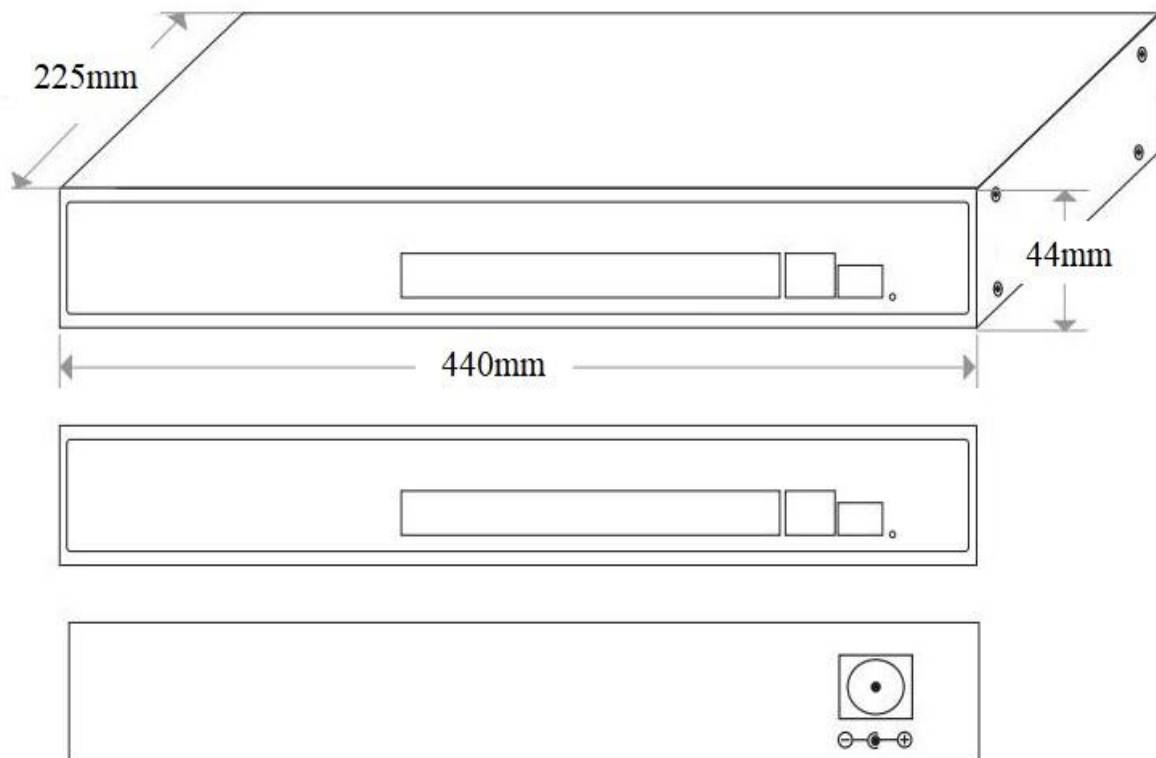
## TECHNICAL SPECIFICATION

Model	ONV-POE33108PFG-bt
<b>Interface Characteristics</b>	
Fixed Port	1*1000M uplink SFP fiber port (Data) 1*10/100/1000M uplink RJ45 port (Data) 8*10/100/1000M bt PoE ports (Data /Power)
Ethernet Port	Port 1-8 support 10/100/1000Base-T(X) auto-sensing, full/ half duplex MDI/

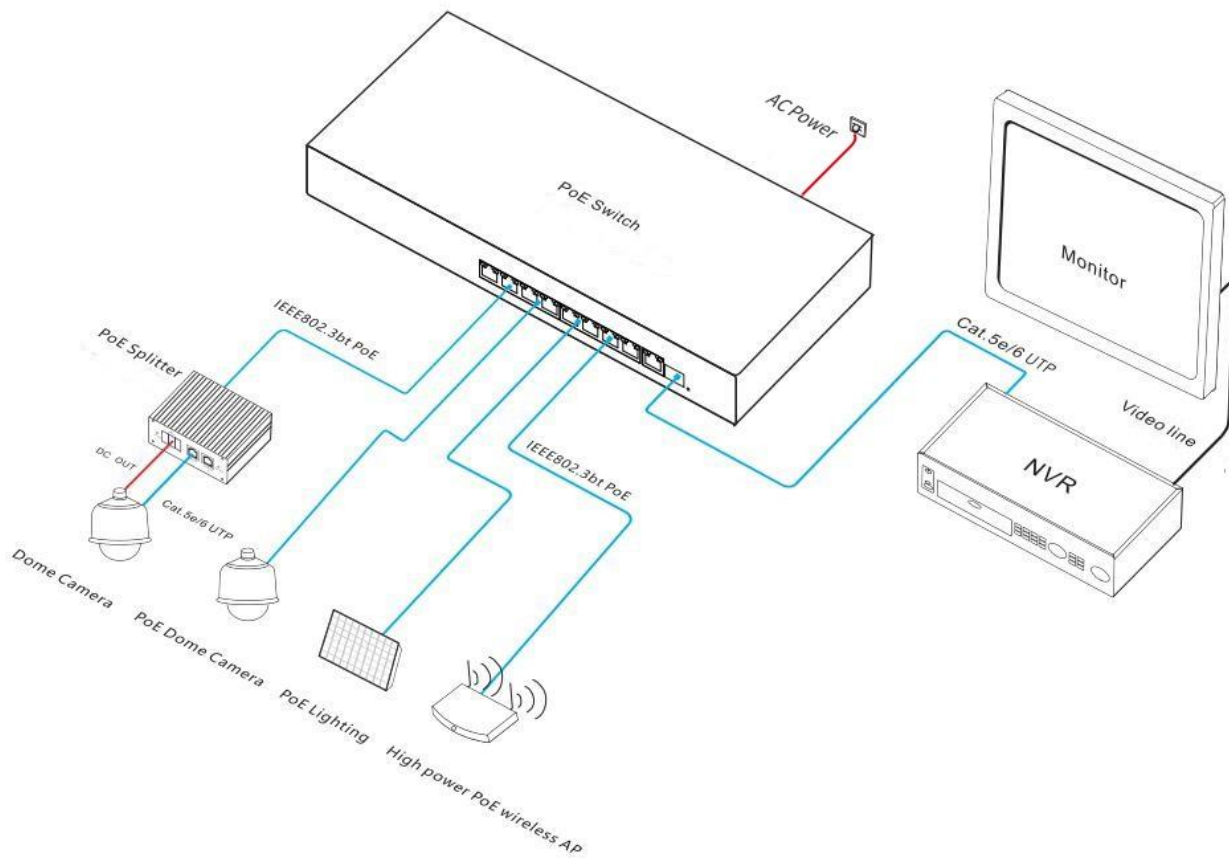
	MDI-X self-adaption
Twisted Pair Transmission	10BASE-T: Cat3,4,5 UTP (≤100 meters) 100BASE-TX: Cat5 or later UTP (≤100 meters) 1000BASE-T: Cat5e or later UTP (≤100 meters)
Optical Fiber Port	Gigabit optical fiber interface, default no include optical module (optional single-mode/ multi-mode, single fiber/ dual fiber optical module. LC)
Optical Cable/ Distance	Multi-mode: 850nm /0-550m, Single-mode: 1310nm /0-40km, 1550nm /0-120km.
<b>Chip Parameter</b>	
Network Protocol	IEEE 802.3 10BASE-T, IEEE 802.3i 10Base-T, IEEE 802.3u 100Base-TX, IEEE 802.3ab 1000Base-T, IEEE 802.3z 1000Base-X, IEEE 802.3x
Forwarding Mode	Store and Forward (Full Wire Speed)
Switching Capacity	20Gbps (Non-blocking)
Forwarding Rate@64byte	14.88Mpps
MAC	8K
Buffer Memory	2M
Jumbo Frame	9.2K
LED Indicator	Power: PWR (Green), Network: Link (Yellow), PoE: PoE (Green), Rate: Speed (Green)
<b>PoE &amp; Power Supply</b>	
PoE Port	Port 1-8
Power Supply Pin	1/2(+)/3/6 (-) 4/5(+)/7/8 (-)
Max Power Per Port	90W, IEEE 802.3 af/at/bt
Total PWR / Input Voltage	600W / (AC100-240V)
Power Consumption	Standby<10W, Full Load<600W
Power Supply	Built-in power supply, AC100~240V 50-60Hz, 4.1A
<b>Physical Parameter</b>	

Operation TEMP / Humidity	-20°C~+55°C, 5%~90% RH Non condensing
Storage TEMP / Humidity	-40°C~+80°C, 5%~95% RH Non condensing
Dimension (L*W*H)	440*225*44mm
Net /Gross Weight	3.3kg /4.0kg
Installation	Desktop, 1U/19" cabinet
<b>Certification &amp; Warranty</b>	
Lightning Protection	Lightning protection: 4KV 8/20us, Protection level: IP30
Certification	CCC, CE mark, commercial, CE/LVD EN62368-1, FCC Part 15 Class B, RoHS
Warranty	3 years, lifelong maintenance.

## DIMENSION



## APPLICATION



## ORDERING INFORMATION

Model	Description	Built-in Power Supply
ONV-POE33108PFG-bt	Unmanaged bt PoE switch with 9*10/100/1000M RJ45 ports and 1*1000M uplink SFP fiber port. Port 1-8 support bt PoE output and are backward compatible with IEEE 802.3 af/at PoE standard. It built-in power supply and 1U/19" cabinet installation.	600W

**Note:** The optical module is not included and needs to be purchased.

## PACKING LIST

	Content	Qty	Unit
Packing List	10-port gigabit bt PoE fiber switch	1	SET
	AC Power Cable	1	SET
	Mounting Kits	1	SET
	User Guide	1	PC
	Warranty Card	1	PC

## OPTICAL MODULE

Product	Model	Description	Unit
1.25G Optical Module	2630	SFP optical module, 1.25G multi-mode dual fiber 850nm, transmission distance: 550m, LC interface. support DDM function and hot plugging.	PC
	2632	SFP optical module, 1.25G single-mode dual fiber 1310nm, transmission distance: 20km, LC interface. support DDM function and hot plugging.	PC
	2612-T	SFP optical module, 1.25G single-mode single fiber TX1310nm/RX1550nm, transmission distance: 20km, LC interface. support DDM function and hot plugging.	PC
	2613-R	SFP optical module, 1.25G single-mode single fiber TX1550nm/RX1310nm, transmission distance: 20km, LC interface. support DDM function and hot plugging.	PC
	2612-T-SC	SFP optical module, 1.25G single-mode single fiber TX1310nm/RX1550nm, transmission distance: 20km, SC interface. support DDM function and hot plugging.	PC
	2613-R-SC	SFP optical module, 1.25G single-mode single fiber TX1550nm/RX1310nm, transmission distance: 20km, SC interface. support	PC

		DDM function and hot plugging.	
Power Module	2633	1.25G SFP optical module transfers to 10/100/1000M RJ45 port.	PC

## RELATED PRODUCT

Model	Description
ONV-POE31004PF-bt	Unmanaged bt PoE fiber switch with 4*10/100M RJ45 ports and 1*155M uplink SC fiber port. Port 1-4 can support bt PoE output and are backward compatible with IEEE 802.3 af/at PoE standard. External 250W power supply.
ONV-POE31064P-bt	Unmanaged bt PoE switch with 6*10/100M RJ45 ports. Port 1-4 can support bt PoE output and are backward compatible with IEEE 802.3 af/at PoE standard. External 250W power supply.
ONV-POE33064P-bt	Unmanaged bt PoE switch with 6*10/100/1000M RJ45 ports. Port 1-4 can support bt PoE output and are backward compatible with IEEE 802.3 af/at PoE standard. External 250W power supply.
ONV-POE33064PF-bt	Unmanaged bt PoE fiber switch with 4*10/100/1000M RJ45 ports and 2*1000M uplink SFP fiber ports. Port 1-4 can support bt PoE output and are backward compatible with IEEE 802.3 af/at PoE standard. External 250W power supply.
ONV-POE33064PFG-bt	Unmanaged bt PoE switch with 5*10/100/1000M RJ45 ports and 1*1000M uplink SFP fiber port. Port 1-4 can support bt PoE output and are backward compatible with IEEE 802.3 af/at PoE standard. External 250W power supply.
ONV-POE33016PF-bt	Unmanaged bt PoE fiber switch with 16*10/100/1000M RJ45 ports and 2*1000M uplink SFP fiber port. Port 1-16 can support bt PoE output and are backward compatible with IEEE 802.3 af/at PoE standard. It built-in 1200W power supply and 1U/19" cabinet installation.

## CONTACT US

**ONV** Optical Network Video Technologies (Shenzhen) Co., Ltd.

Tel: 0086-755-33376606

Fax: 0086-755-33376608

Email: onv@onv.com.cn

Skype: onv@onv.com.cn

WeChat ID: ONV-PoE-IoT

Website: www.onvcom.com

Headquarter Address: Room 1003, Block D, Terra Building, Futian District, Shenzhen

Factory Address: Building B3, Galaxy Artificial Intelligence Industrial Park, No. 333, Zhongkai 6th Road, Chenjiang Street, Zhongkai High-tech Zone, Huizhou

