

## Product Datasheet

# 6-port Full Gigabit PoE Fiber Switch

(ONV-POE33064PFG)



## OVERVIEW

The ONV-POE33064PFG is a full gigabit PoE fiber switch independently developed by ONV. It has 5\*10/100/1000M adaptive RJ45 ports and 1\*1000M uplink SFP fiber port. Port 1-4 can support IEEE 802.3 af/at PoE standard and single-port PoE power reaches 30W. As a PoE power supply device, it can automatically detect and recognize the power-receiving equipment that meets the standard and supply power through the network cable. It can supply power to PoE terminal equipment such as wireless AP, IP camera, VoIP, and visual intelligent building intercom through a network cable, and meet the network environment that needs a high-density PoE power supply. It is suitable for hotels, campuses, factory dormitories, and small and medium-sized enterprises. Unmanaged model, plug and play, no configuration, easy to use.

## FEATURE

### ■ Gigabit access, uplink SFP fiber port

- ◇ Support non-blocking wire-speed forwarding.
- ◇ Support full-duplex based on IEEE802.3x and half-duplex based on backpressure.
- ◇ Support gigabit RJ45 port and uplink SFP port combination, which enables users to flexibly build networking to meet the needs of various scenarios.

### ■ Smart PoE power supply

- ◇ Comply with IEEE 802.3 af/at PoE standard, automatically identify PoE devices for power supply, and not damage non-PoE devices.
- ◇ 4\*10/100/1000Base-T RJ45 ports, meeting the needs of security monitoring, teleconferencing system, wireless coverage, and other scenarios.
- ◇ Priority system for PoE port, it will supply power to the high priority level port first when the power budget is insufficient and avoid overwork of the device.

#### ■ Stable and reliable

- ◇ CCC, CE, FCC, RoHS.
- ◇ Plug and play, no configuration, simple and convenient.
- ◇ Self-developed power supply, high redundancy, providing a long-term and stable PoE power output.
- ◇ The user-friendly panel can show the device status through the LED indicator of PWR, Link, L/A, and PoE.
- ◇ Low power consumption, with fan, galvanized steel metal shell, and excellent heat dissipation to ensure the stable operation of the switch.

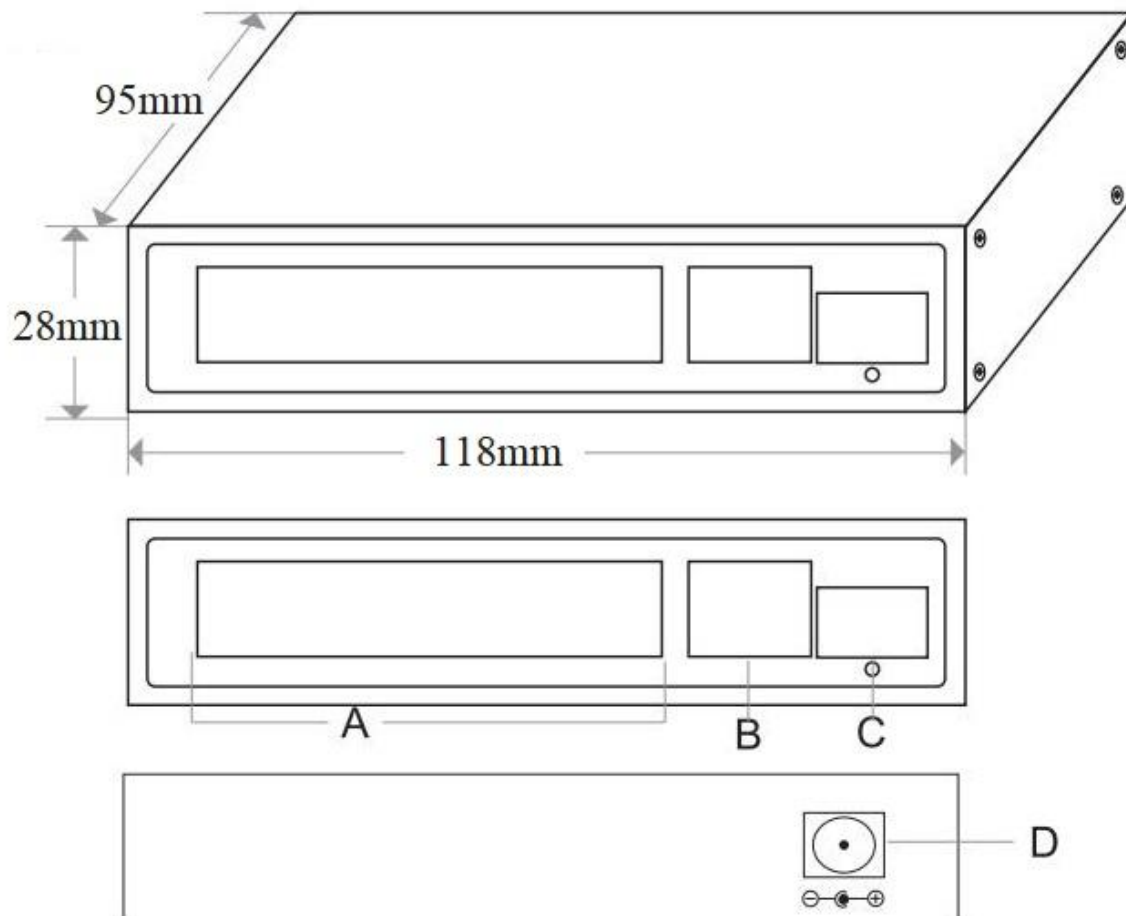
## TECHNICAL SPECIFICATION

Model	ONV-POE33064PFG	ONV-POE33064PFG-at
<b>Interface Characteristics</b>		
Fixed Port	1*1000Base-X uplink SFP fiber port (Data) 1*10/100/1000Base-T uplink RJ45 port (Data) 4*10/100/1000Base-T PoE ports (Data/Power)	
Ethernet Port	Port 1-5 can support 10/100/1000Base-T(X) auto-sensing, full/ half duplex MDI/ MDI-X self-adaption	
Twisted Pair Transmission	10BASE-T: Cat3,4,5 UTP (≤100 meters) 100BASE-TX: Cat5 or later UTP (≤100 meters) 1000BASE-T: Cat5e or later UTP (≤100 meters)	
Optical Fiber Port	Gigabit optical fiber interface, default no include optical module (optional)	

	single-mode/ multi-mode, single fiber/ dual fiber optical module. LC)	
Optical Cable/ Distance	Multi-mode: 850nm /0-550m, Single-mode: 1310nm /0-40km, 1550nm /0-120km	
<b>Chip Parameter</b>		
Network Protocol	IEEE 802.3 10BASE-T, IEEE 802.3i 10Base-T, IEEE 802.3u 100Base-TX, IEEE 802.3ab 1000Base-T, IEEE 802.3z 1000Base-X, IEEE 802.3x	
Forwarding Mode	Store and Forward (Full Wire Speed)	
Switching Capacity	12Gbps (non-blocking)	
Forwarding Rate @64byte	8.93Mpps	
MAC	2K	
Buffer Memory	2M	
LED Indicator	Power: PWR (Green), Network: Link (Yellow), POE: PoE (Green)	
<b>PoE &amp; Power Supply</b>		
PoE Port	Port 1-4	
Power Supply Pin	1/2(+) 3/6 (-)	
Max Power Per Port	30W, IEEE 802.3 af/at	
Total PWR / Input Voltage	65W/ DC52V	110W/ DC52V
Power Consumption	Standby<5W, Full load<65W	Standby<6W, Full load<110W
Power Supply	External power adapter, AC100~240V 50-60Hz, 1.1A	External power adapter, AC100~240V 50-60Hz, 2.0A
<b>Physical Parameter</b>		
Operation TEMP/ Humidity	-20°C~+55°C, 5%~90% RH Non condensing	
Storage TEMP/ Humidity	-40°C~+75°C, 5%~95% RH Non condensing	
Dimension (L*W*H)	118*95*28mm	
Net /Gross Weight	0.35kg / 0.8kg	0.35kg / 0.85kg

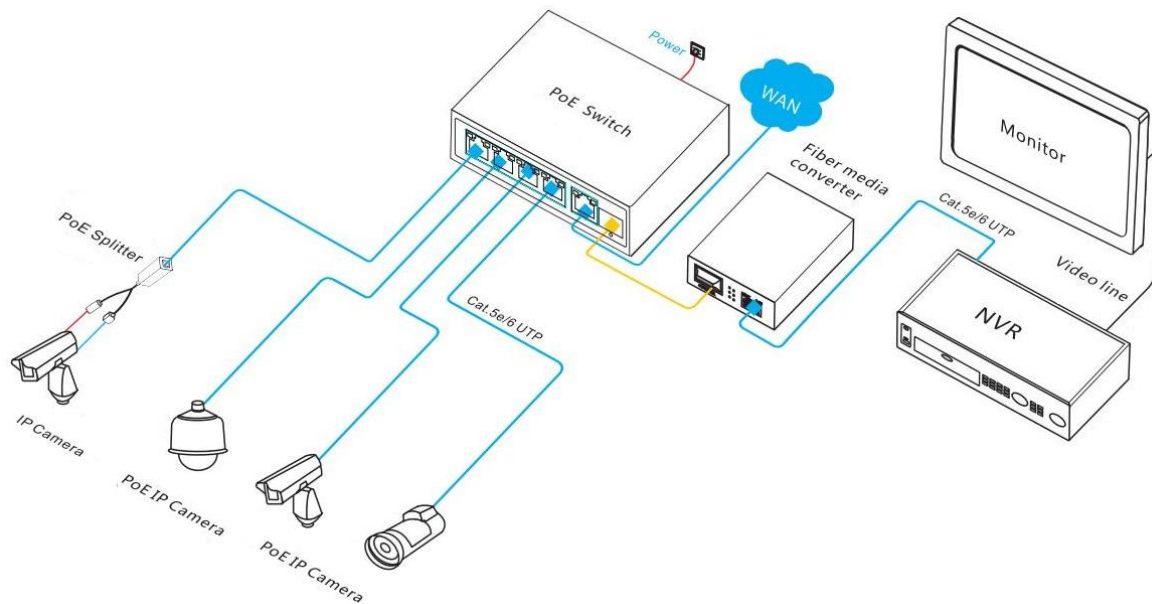
Installation	Desktop, wall mount
<b>Certification &amp; Warranty</b>	
Lightning Protection	Lightning protection: 4KV 8/20us, Protection level: IP30
Certification	CCC, CE mark, commercial, CE/LVD EN62368-1, FCC Part 15 Class B, RoHS
Warranty	3 years, lifelong maintenance.

## DIMENSION



- A. 4\*10/100/1000M PoE ports
- B. 1\*10/100/1000M uplink RJ45 port
- C. 1\*1000M uplink SFP fiber port
- D. Power input port DC48-57V

## APPLICATION



## ORDERING INFORMATION

Model	Description	External Power Supply
ONV-POE33064PFG	Unmanaged PoE fiber switch with 5*10/100/1000M RJ45 ports and 1*1000M uplink SFP fiber port. Port 1-4 can support IEEE 802.3 af/at PoE standard.	65W
ONV-POE33064PFG-at	External power supply.	110W

**Note:** The optical module is not included and needs to be purchased.

## PACKING LIST

	Content	Qty	Unit
Packing List	6-port full gigabit PoE fiber switch	1	SET
	Power supply kit (AC power line + power adapter)	1	SET
	Mounting Kit (Hanging Ear)	1	SET
	User Guide	1	PC
	Warranty Card	1	PC

## OPTICAL MODULE

Product	Model	Description	Unit
1.25G Optical Module	2630	SFP optical module, 1.25G multi-mode dual fiber 850nm, transmission distance: 550m, LC interface. support DDM function and hot plugging.	PC
	2632	SFP optical module, 1.25G single-mode dual fiber 1310nm, transmission distance: 20km, LC interface. support DDM function and hot plugging.	PC
	2612-T	SFP optical module, 1.25G single-mode single fiber TX1310nm/ RX1550nm, transmission distance: 20km, LC interface. support DDM function and hot plugging.	PC
	2613-R	SFP optical module, 1.25G single-mode single fiber TX1550nm/ RX1310nm, transmission distance: 20km, LC interface. support DDM function and hot plugging.	PC
	2612-T-SC	SFP optical module, 1.25G single-mode single fiber TX1310nm/ RX1550nm, transmission distance: 20km, SC interface. support DDM function and hot plugging.	PC
	2613-R-SC	SFP optical module, 1.25G single-mode single fiber TX1550nm/ RX1310nm, transmission distance: 20km, SC interface. support DDM function and hot plugging.	PC
Power Module	2633	1.25G SFP optical module transfers to 10/100/1000M RJ45 port.	PC

## RELATED PRODUCT

Model	Description
ONV-POE33128PF	Unmanaged PoE fiber switch with 10*10/100/1000M RJ45 ports and 2*1000M uplink SFP fiber ports. Port 1-8 can support IEEE 802.3 af/at PoE

	standard. It built-in 130W power supply and 1U/19" cabinet installation.
ONV-POE33016PF	Unmanaged PoE fiber switch with 16*10/100/1000M RJ45 ports and 2*1000M uplink SFP fiber ports. Port 1-16 can support IEEE 802.3 af/at PoE standard. It built-in 250W power supply and 1U/19" cabinet installation.
ONV-POE33020PF	Unmanaged PoE fiber switch with 18*10/100/1000M RJ45 ports and 2*1000M uplink SFP fiber ports. Port 1-16 can support IEEE 802.3 af/at PoE standard. It built-in 250W power supply and 1U/19" cabinet installation.
ONV-POE33024PF	Unmanaged PoE fiber switch with 24*10/100/1000M RJ45 ports and 2*1000M uplink SFP fiber ports. Port 1-24 can support IEEE 802.3 af/at PoE standard. It built-in 400W power supply and 1U/19" cabinet installation.
ONV-POE33028PF	Unmanaged PoE fiber switch with 26*10/100/1000M RJ45 ports and 2*1000M uplink SFP fiber ports. Port 1-24 can support IEEE 802.3 af/at PoE standard. It built-in 400W power supply and 1U/19" cabinet installation.

## CONTACT US



Optical Network Video Technologies (Shenzhen) Co., Ltd.

Tel: 0086-755-33376606

Fax: 0086-755-33376608

Email: onv@onv.com.cn

Skype: onv@onv.com.cn

WeChat ID: ONV-PoE-IoT

Website: www.onvcom.com

Headquarter Address: Room 1003, Block D, Terra Building, Futian District, Shenzhen

Factory Address: Building B3, Galaxy Artificial Intelligence Industrial Park, No. 333, Zhongkai 6th Road, Chenjiang Street, Zhongkai High-tech Zone, Huizhou

