

Product Datasheet

3-port 10/100M Industrial PoE Fiber Switch

(ONV-IPS31032PF)



OVERVIEW

The ONV-IPS31032PF is a 10/100M industrial PoE fiber switch independently developed by ONV. It has 2*10/100M RJ45 ports and 1*155M uplink SC fiber port. Port 1-2 can support IEEE 802.3 af/at PoE standard and single-port PoE power reaches 30W. As a PoE power supply device, it can automatically detect and recognize power-compliant devices that meet the standard and supply power through the network cable. It can supply power to PoE terminal equipment such as wireless AP, IP camera, VoIP, and industrial sensors through the network cable, and meet the network environment that needs a high-density PoE power supply. It is suitable for intelligent transportation, rail transit, power industry, mining, petroleum, and industrial scenes such as shipping, metallurgy, and green energy construction forming a cost-effective, stable, and reliable communication network. Unmanaged mode, plug and play, no configuration, easy to use.

FEATURE

■ 10/100M RJ45 and SC port, fast Ethernet

- ◇ Support non-blocking wire-speed forwarding.
- ◇ Support full-duplex based on IEEE802.3x and half-duplex based on Backpressure.
- ◇ Support 10/100M RJ45 port and 155M SC fiber port combination, which enables users to flexibly build networking to meet the needs of various scenarios.

■ Smart PoE power supply

- ◇ Comply with IEEE 802.3 af/at PoE standard, automatically identify PoE devices for power supply, and not damage non-PoE devices.
- ◇ 2*10/100Base-TX RJ45 port support PoE power supply to meet the needs of PoE power supply in various scenarios in the industrial field.
- ◇ Priority system for PoE port, it will supply power to the high priority level port first when the power budget is insufficient and avoid overwork of the device.

■ Stable and reliable

- ◇ CCC, CE, FCC, RoHS.
- ◇ The user-friendly panel can show the device status through the LED indicator of PWR, Link, and PoE.
- ◇ Low power consumption, no fan, aluminum shell, and excellent heat dissipation to ensure the stable operation of the switch.

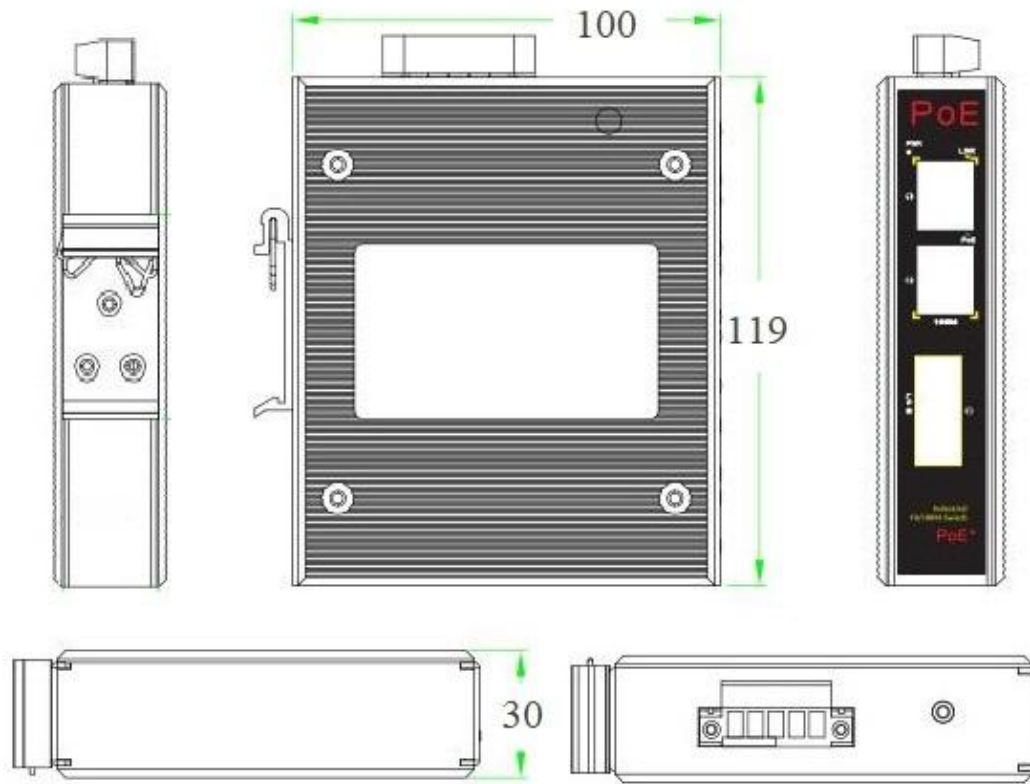
TECHNICAL SPECIFICATION

Model	ONV-IPS31032PF
Interface Characteristics	
Fixed Port	1*155M uplink SC fiber port (Data)
	2*10/100Base-TX PoE port (Data/Power)
	2 set of V+, V- redundant DC power ports (5 Pin Phoenix terminal)
Twisted Pair	10BASE-T: Cat3,4,5 UTP (≤100 meters)

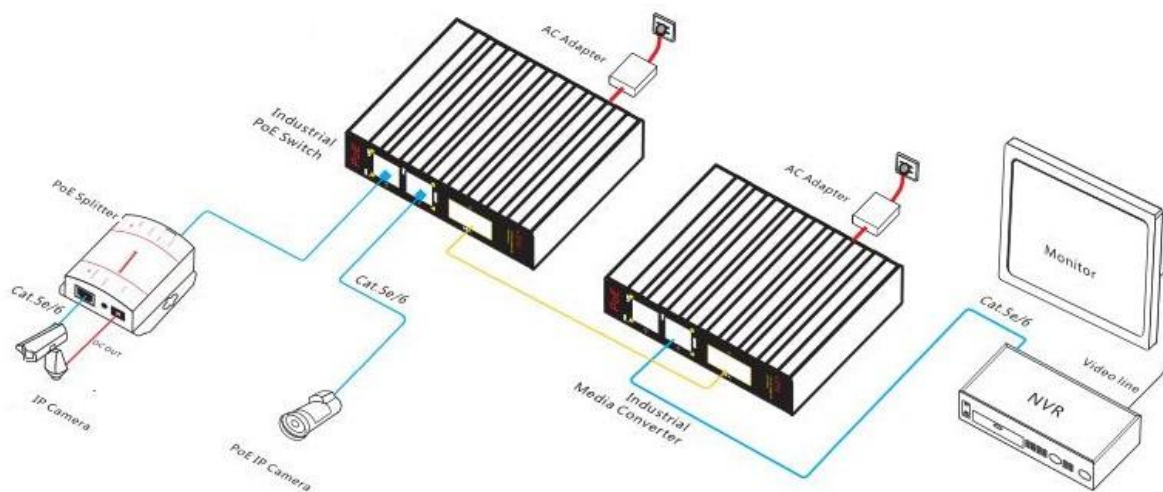
Transmission	100BASE-T: Cat5e or later UTP (≤100 meters)
Ethernet Port	Port 1-2 support 10/100Base-TX auto-sensing, full/ half duplex MDI/ MDI-X self-adaption
Optical Fiber Port	Default optical module is single-mode dual fiber 20km, SC port (optional single-mode single fiber and multi-mode dual fiber optical module)
Optical Cable/ Distance	Multi-mode: 850nm/ 0-500m, 1310nm/ 2km, Single-mode: 1310nm/ 0-40km, 1550nm/ 0-120km
Chip Parameter	
Network Protocol	IEEE 802.3 10BASE-T, IEEE 802.3i 10Base-T, IEEE 802.3u 100Base-TX, IEEE 802.3u 100Base-FX, IEEE 802.3x
Forwarding Mode	Store and Forward (Full Wire Speed)
Switching Capacity	1.6Gbps (non-blocking)
Forwarding Rate @64byte	0.47Mpps
MAC	1K
Buffer Memory	768K
Jumbo Frame	1536bytes
LED Indicator	Power: PWR (Green), Network: Link (Yellow), Fiber port: L/A (Green), PoE: PoE (Green)
PoE & Power Supply	
PoE Port	Port 1-2
Power Supply Pin	1/2 (+) 3/6 (-)
Max Power Per Port	30W, IEEE 802.3 af/at
Power Consumption	Standby<3W, Full load af<30W, at<60W
Working Voltage	DC48-57V, 5 Pin industrial Phoenix terminal, support anti-reverse protection.
Power Supply	No, optional 48V/36W or 48V/60W industrial power supply
Physical Parameter	
Operation TEMP /	-40~+75°C, 5%~90% RH Non condensing

Humidity	
Storage TEMP / Humidity	-40~+85°C, 5%~95% RH Non condensing
Dimension (L*W*H)	119*100*30mm
Net /Gross Weight	0.4kg / 0.5kg
Installation	Desktop, 35mm DIN Rail
Certification & Warranty	
Lightning Protection	<p>Protection level: IP40</p> <p>Lightning protection: 6KV 8/20us</p> <p>IEC61000-4-3 (RS):10V/m (80~1000MHz)</p> <p>FCC Part 15/CISPR22 (EN55022): Class B</p> <p>IEC61000-6-2 (Common Industrial Standard)</p> <p>IEC61000-4-9 (Pulsed magnet field): 1000A/m</p> <p>IEC61000-4-10 (Damped oscillation): 30A/m 1MHz</p> <p>IEC61000-4-12/18 (Shockwave): CM 2.5kV, DM 1kV</p> <p>IEC61000-4-4(EFT): Power cable: ±4kV; data cable: ±2kV</p> <p>IEC61000-4-16 (Common-mode transmission): 30V, 300V, 1s</p> <p>IEC61000-4-2 (ESD): ±8kV contact discharge, ±15kV air discharge</p> <p>IEC61000-4-6 (Radio frequency transmission): 10V(150kHz~80MHz)</p> <p>IEC61000-4-5 (Surge): Power cable: CM±4kV/ DM±2kV, data cable: ±4kV</p> <p>IEC61000-4-8 (Power frequency magnetic field): 100A/m, 1000A/m, 1s-3s</p>
Mechanical Properties	IEC60068-2-6 (Anti Vibration), IEC60068-2-27 (Anti Shock), IEC60068-2-32 (Free Fall)
Certification	CCC, CE mark, commercial, CE/LVD EN62368-1, FCC Part 15 Class B, RoHS
Warranty	5 years, lifelong maintenance.

DIMENSION



APPLICATION



ORDERING INFORMATION

Model	Description	Recommended Power Supply
ONV-IPS31032PF	Unmanaged industrial PoE fiber switch with 2*10/100M RJ45 ports and 1*155M uplink SC fiber port (1310nm/ 20km single-mode dual fiber optical module). Port 1-2 can support IEEE 802.3 af/at PoE standard. It can support dual DC redundant power input and DIN rail mounting.	36W/60W
ONV-IPS31032PF-M	Unmanaged industrial PoE fiber switch with 2*10/100M RJ45 ports and 1*155M uplink SC fiber port (850nm/ 0.5km or 1310nm/ 2km multi-mode dual fiber optical module). Port 1-2 can support IEEE 802.3 af/at PoE standard. It can support dual DC redundant power input and DIN rail mounting.	36W/60W
ONV-IPS31032PF-A	Unmanaged industrial PoE fiber switch with 2*10/100M RJ45 ports and 1*155M uplink SC fiber port (1310nm/ 20km single-mode single fiber optical module). Port 1-2 can support IEEE 802.3 af/at PoE standard. It can support dual DC redundant power input and DIN rail mounting.	36W/60W
ONV-IPS31032PF-B	Unmanaged industrial PoE fiber switch with 2*10/100M RJ45 ports and 1*155M uplink SC fiber port (1550nm/ 20km single-mode single fiber optical module). Port 1-2 can support IEEE 802.3 af/at PoE standard. It can support dual DC redundant power input and DIN rail mounting.	36W/60W

Note: The power supply is not included and needs to be purchased.

PACKING LIST

Packing List	Content	Qty	Unit
	3-port 10/100M industrial PoE fiber switch	1	SET
	User Guide	1	PC
	Warranty Card	1	PC

POWER SUPPLY

Product	Model	Description	Unit
36W Desktop Power Adapter	GWS-AP36-52	Desktop 36W single set of output power adapter Input Voltage: AC100V~240V 50-60Hz, 0.56A Output Voltage: DC52V, 0.7A Operation Temperature: -20°C to +65°C	PC
65W Desktop Power Adapter	GWS-AP65-52	Desktop 65W single set of output power adapter Input Voltage: AC100V~240V 50-60Hz, 1.1A Output Voltage: DC52V, 1.25A Operation Temperature: -20°C to +65°C	PC
36W DIN Rail Industrial Power Supply	GWS-DP36-48	DIN Rail 36W single set of output power supply Input Voltage: AC100V~240V 50-60Hz, 0.56A Output Voltage: DC48V, 0.75A Operation Temperature: -40°C to +70°C	PC
60W DIN Rail Industrial Power Supply	GWS-DP60-48	DIN Rail 60W single set of output power supply Input Voltage: AC100V~240V 50-60Hz, 1.0A Output Voltage: DC48V, 1.25A Operation Temperature: -40°C to +70°C	PC

RELATED PRODUCT

Model	Description
ONV-IPS31021PFS	Unmanaged industrial PoE fiber switch with 1*10/100M RJ45 port and 1*155M uplink SC fiber port (1310nm/ 20km single-mode dual fiber optical module). Port 1 can support IEEE 802.3 af/at PoE standard. It can support dual DC redundant power input and DIN rail mounting.
ONV-IPS31004PF	Unmanaged industrial PoE fiber switch with 4*10/100M RJ45 ports and 1*155M uplink SC fiber port (1310nm/ 20km single-mode dual fiber optical module). Port 1-4 can support IEEE 802.3 af/at PoE standard. It can support dual DC redundant power input and DIN rail mounting.
ONV-IPS31084PF	Unmanaged industrial PoE fiber switch with 6*10/100M RJ45 ports and 2*155M uplink SC fiber ports (1310nm/ 20km single-mode dual fiber optical module). Port 1-4 can support IEEE 802.3 af/at PoE standard. It can support dual DC redundant power input and DIN rail mounting.
ONV-IPS31128PFB	Unmanaged industrial PoE fiber switch with 8*10/100M RJ45 ports and 2*10/100/1000M RJ45 ports and 2*1000M uplink SFP fiber ports. Port 1-8 can support IEEE 802.3 af/at PoE standard. It can support dual DC power input and DIN rail mounting

CONTACT US

ONV Optical Network Video Technologies (Shenzhen) Co., Ltd.

Tel: 0086-755-33376606

Fax: 0086-755-33376608

Email: onv@onv.com.cn

Skype: onv@onv.com.cn

WeChat ID: ONV-PoE-IoT

Website: www.onvcom.com

Headquarter Address: Room 1003, Block D, Terra Building, Futian District, Shenzhen

Factory Address: Building B3, Galaxy Artificial Intelligence Industrial Park, No. 333, Zhongkai 6th Road, Chenjiang Street, Zhongkai High-tech Zone, Huizhou