

## Product Datasheet

# 10-port Gigabit PoE Switch

(ONV-H3108P)



## OVERVIEW

The ONV-H3108P is a gigabit unmanaged PoE switch independently developed by ONV. It has 10\*10/100/1000Base-T RJ45 ports. Port 1-8 can support IEEE 802.3 af/ at PoE standard and single-port PoE power up to 30W. As a PoE power supply device, it can automatically detect and recognize the power-receiving equipment that meets the standard and supply power through the network cable. It can supply power to PoE terminal equipment such as wireless AP, IP camera, VoIP phone, video access control intercom, etc. through a network cable to meet the network environment that needs a high-density PoE power supply. It is suitable for hotels, campuses, factory quarters, and small and medium-sized enterprises to form an economy-efficient network. Unmanaged model, plug and play, no configuration, easy to use.

## FEATURE

### ■ Gigabit rate, dual RJ45 ports uplink

- ◇ Support IEEE 802.3x full-duplex flow control and Backpressure.
- ◇ Support non-blocking wire-speed forwarding for smoother transmission.
- ◇ Provides Gigabit Ethernet ports and dual RJ45 ports uplink for flexible networking and meets the networking requirements of various scenarios.

### ■ Smart PoE power supply

- ◇ Comply with IEEE 802.3 af/at PoE standard, automatically identify PoE devices for power supply, and not damage non-PoE devices.
- ◇ The PoE port supports the priority mechanism. When the remaining power is insufficient, the power of the high-priority port is given priority to avoid overloading of the device.
- ◇ 8\*10/100/1000Base-T RJ45 ports support PoE power, meeting the PoE power requirements of security monitoring, teleconferencing system, wireless coverage, and other scenarios.

#### ■ Stable and reliable, easy to use

- ◇ CCC, CE, FCC, RoHS.
- ◇ Plug and play, no configuration, simple and convenient.
- ◇ The user-friendly panel can show the device status through the LED indicator of PWR, Link, and PoE.
- ◇ Self-developed power supply, high redundancy design, providing a long-term and stable PoE power output.
- ◇ Low power consumption, no fan, galvanized steel casing, and excellent heat dissipation to ensure the stable operation of the switch.

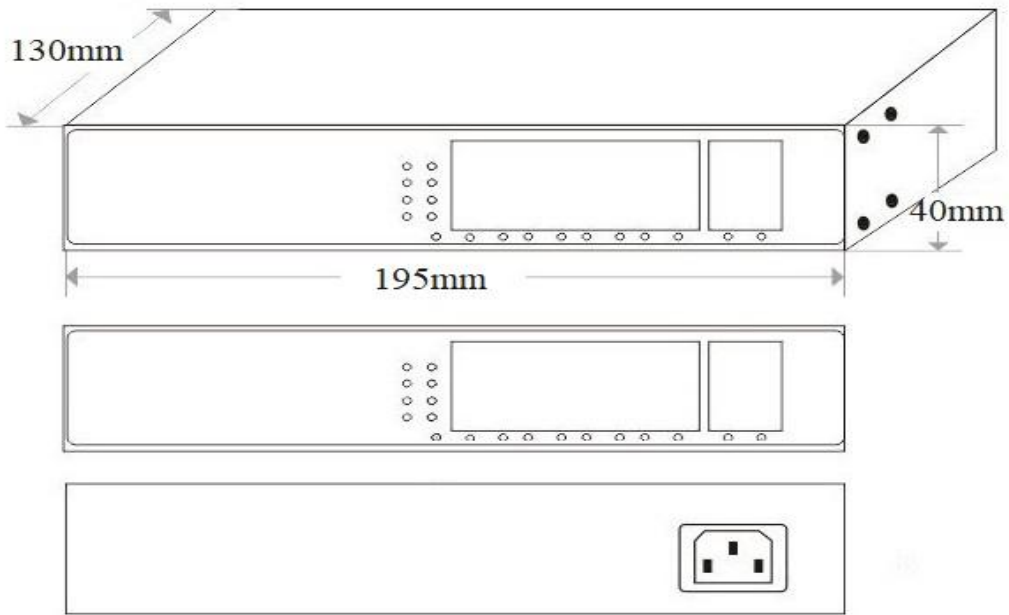
## TECHNICAL SPECIFICATION

Model	ONV-H3064P	ONV-H3108P
<b>Interface Characteristics</b>		
Fixed Port	4*10/100/1000Base-T PoE ports (Data/Power)  2*10/100/1000Base-T uplink RJ45 ports (Data)	8*10/100/1000Base-T PoE ports (Data/Power)  2*10/100/1000Base-T uplink RJ45 ports (Data)
Ethernet Port	Port 1-6/ 1-10 support 10/100/1000Base-T auto-sensing, full/ half duplex MDI/ MDI-X self-adaption	
Twisted Pair Transmission	10BASE-T: Cat3, 4, 5 UTP (≤100 meters)  100BASE-TX: Cat5 or later UTP (≤100 meters)  1000BASE-T: Cat5e or later UTP (≤100 meters)	

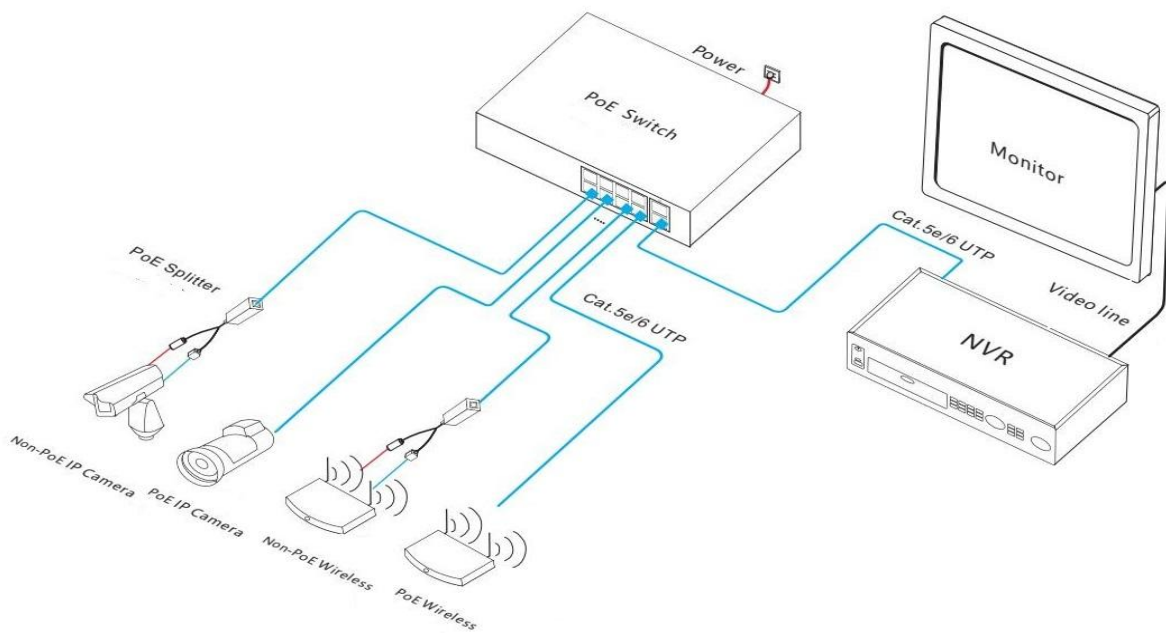
Chip Parameter		
Network Protocol	IEEE 802.3 10BASE-T, IEEE 802.3i 10Base-T, IEEE 802.3u 100Base-TX, IEEE 802.3ab 1000Base-T, IEEE 802.3x	
Forwarding Mode	Store and Forward(Full Wire Speed)	
Switching Capacity	16Gbps (Non-blocking)	20Gbps (Non-blocking)
Forwarding Rate@64byte	8.93Mpps	14.88Mpps
MAC	8K	2K
Buffer Memory	2M	
Jumbo Frame	9.2k	
LED Indicator	Power: PWR (Green), Network: Link (Green), PoE: PoE (Green)	
PoE & Power Supply		
PoE Port	Port 1-4	Port 1-8
Power Supply Pin	1/2(+) 3/6(-)	
Max Power Per Port	30W, IEEE 802.3 af/at	
Total PWR / Input Voltage	65W/ (AC100-240V)	120W/ (AC100-240V)
Power Consumption	Standby <5W, Full load <65W	Standby <6W, Full load <120W
Power Supply	Built-in power supply, AC100~240V 50-60Hz, 1.1A	Built-in power supply, AC100~240V 50-60Hz, 2.2A
Physical Parameter		
Operation TEMP / Humidity	-20°C~+55°C, 5%~90% RH Non condensing	
Storage TEMP / Humidity	-40°C~+75°C, 5%~95% RH Non condensing	
Dimension (L*W*H)	142*115*40mm	195*130*40mm
Net /Gross Weight	0.55kg / 0.8kg	0.75kg / 1.0kg
Installation	Desktop, Wall mount	
Certification & Warranty		

Lightning Protection	Lightning protection: 4KV 8/20us, Protection level: IP30
Certification	CCC, CE mark, commercial, CE/LVD EN62368-1, FCC Part 15 Class B, RoHS
Warranty	1 year, lifelong maintenance.

## DIMENSION



## APPLICATION



## ORDERING INFORMATION

Model	Description	Built-in power supply
ONV-H3064P	Unmanaged PoE switch with 6*10/100/1000M RJ45 ports. Port 1-4 can support IEEE 802.3 af/at PoE standard. Built-in power supply.	65W
ONV-H3108P	Unmanaged PoE switch with 10*10/100/1000M RJ45 ports. Port 1-8 can support IEEE 802.3 af/at PoE standard. Built-in power supply.	120W

## PACKING LIST

	Content	Qty	Unit
Packing List	10-port gigabit PoE switch	1	SET
	AC Power Line	1	PC
	User Guide	1	PC
	Warranty Card	1	PC

## CONTACT US

**ONV** Optical Network Video Technologies (Shenzhen) Co., Ltd.

Tel: 0086-755-33376606

Fax: 0086-755-33376608

Email: onv@onv.com.cn

Skype: onv@onv.com.cn

WeChat ID: ONV-PoE-IoT

Website: www.onvcom.com

Headquarter Address: Room 1003, Block D, Terra Building, Futian District, Shenzhen

Factory Address: Building B3, Galaxy Artificial Intelligence Industrial Park, No. 333, Zhongkai 6th Road, Chenjiang Street, Zhongkai High-tech Zone, Huizhou