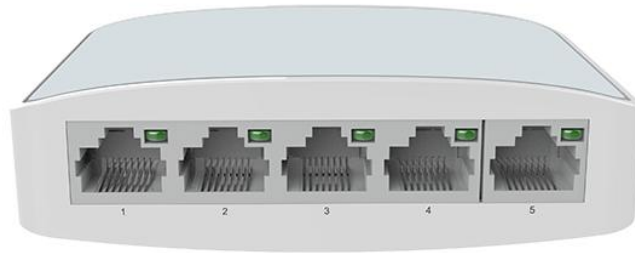


Product Datasheet

5-port Gigabit Ethernet Switch

(ONV-H3005S)



OVERVIEW

The ONV-H3005S is an unmanaged Gigabit Ethernet switch independently developed by ONV. It has 5*10/100/1000Base-T adaptive RJ45 ports. The scheme of the large backplane and large cache switching chip is preferred to improve the forwarding rate of large files and effectively solve the problems of video freeze and picture loss in the high-definition surveillance environment. It is suitable for hotels, banks, campuses, factory quarters, and small and medium-sized enterprises to establish a cost-effective network. Unmanaged model, plug and play, no configuration, simple and convenient to use.

FEATURE

■ Gigabit rate, high-speed transmission

- ◇ Support non-blocking wire-speed forwarding.
- ◇ Support full-duplex based on IEEE 802.3x and half-duplex based on Backpressure.
- ◇ Gigabit RJ45 port, high speed, fast transmission, convenient for users to flexibly network, and meet various high-definition network requirements

■ Stable and reliable

- ◇ CCC, CE, FCC, RoHS.

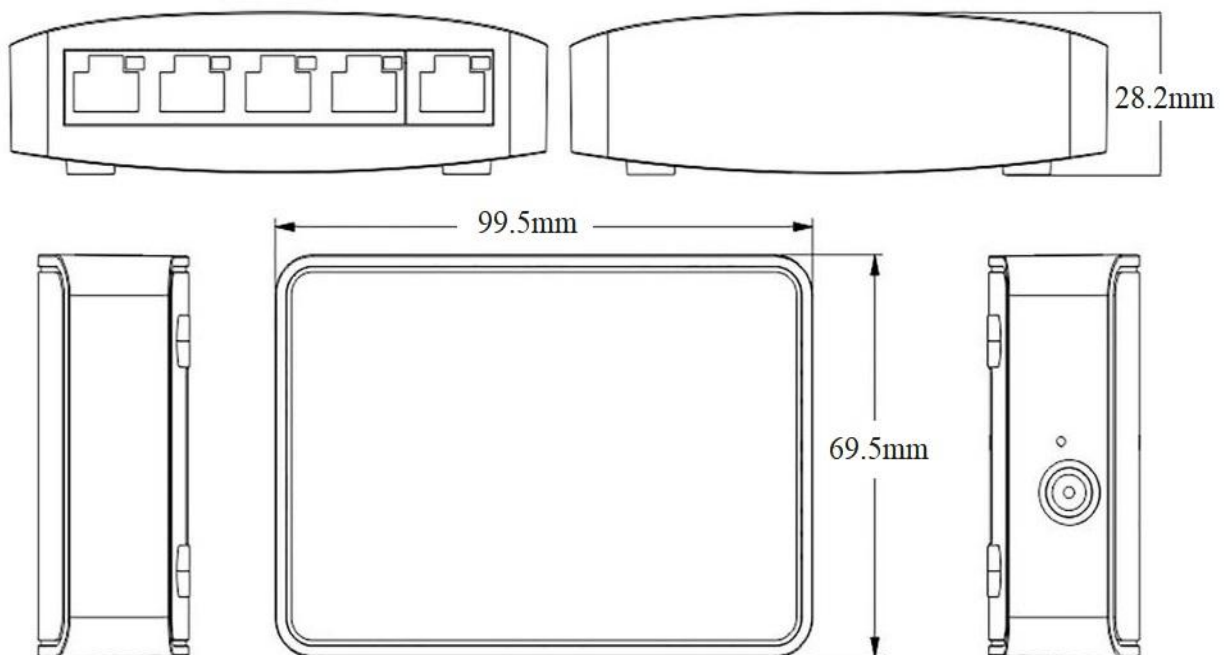
- ◇ Plug and play, no configuration, simple and convenient.
- ◇ Low power consumption, no fan, flame retardant plastic casing.
- ◇ The user-friendly panel can show the device status through the LED indicator of Link/ Act and PWR.

TECHNICAL SPECIFICATION

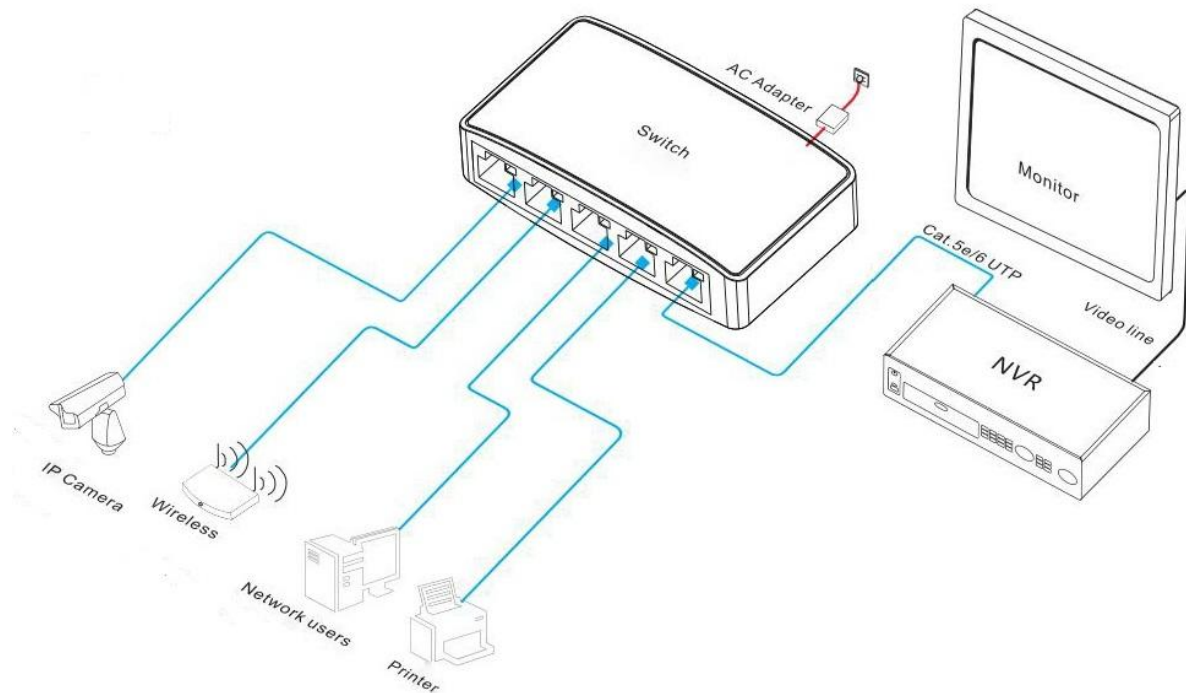
Model	ONV-H3005S	ONV-H3008S
Interface Characteristics		
Fixed Port	5*10/100/1000Base-T RJ45 ports (Data)	8*10/100/1000Base-T RJ45 ports (Data)
Ethernet Port	10/100/1000Base-T auto-sensing, full/ half duplex MDI/ MDI-X self-adaption.	
Twisted Pair Transmission	10BASE-T: Cat3,4,5 UTP (≤100 meters) 100BASE-TX: Cat5 or later UTP (≤100 meters) 1000BASE-T: Cat5e or later UTP (≤100 meters)	
Chip Parameter		
Network Protocol	IEEE 802.3 10BASE-T, IEEE 802.3i 10Base-T, IEEE 802.3u 100Base-TX, IEEE 802.3ab 1000Base-T, IEEE 802.3x	
Forwarding Mode	Store and Forward(Full Wire Speed)	
Switching Capacity	10Gbps (non-blocking)	16Gbps (non-blocking)
Forwarding Rate @64byte	7.44Mpps	11.9Mpps
MAC	2K	
Buffer Memory	2M	
Jumbo Frame	9.2K	
LED Indicator	Power: PWR (Green), Network: Link/Act (Green)	
Power Supply		
Total PWR / Input Voltage	5W/ (DC5V)	

Power Consumption	Standby<1W, Full Load<4W	Standby<1W, Full Load<5W
Power Supply	External power adapter, AC100~240V 50-60Hz, 0.56A	
Physical Parameter		
Operation TEMP/ Humidity	0°C~+55°C, 5%~90% RH Non condensing	
Storage TEMP/ Humidity	-40°C~+75°C, 5%~95% RH Non condensing	
Dimension (L*W*H)	99.5*69.5*28.2mm	140*78*34mm
Net /Gross Weight	0.1kg /0.2kg	0.25kg /0.35kg
Installation	Desktop, Wall mount	
Certification & Warranty		
Lightning Protection	Lightning protection: 4KV 8/20us, Protection level: IP30	
Certification	CCC, CE mark, commercial, CE/LVD EN62368-1, FCC Part 15 Class B, RoHS	
Warranty	1 year, lifelong maintenance.	

DIMENSION



APPLICATION



ORDERING INFORMATION

Model	Description	External Power Adapter
ONV-H3005S	Unmanaged Ethernet switch with 5*10/100/1000M RJ45 ports. External power adapter.	5W
ONV-H3008S	Unmanaged Ethernet switch with 8*10/100/1000M RJ45 ports. External power adapter.	

PACKING LIST

Packing List	Content	Qty	Unit
	5-port gigabit Ethernet switch	1	SET
	Power Adapter 5V/1A	1	PC
	User Guide	1	PC
	Warranty Card and Certificate of Conformity	1	PC

CONTACT US



Optical Network Video Technologies (Shenzhen) Co., Ltd.

Tel: 0086-755-33376606

Fax: 0086-755-33376608

Email: onv@onv.com.cn

Skype: [onv@onv.com.cn](https://www.skype.com/people/onv@onv.com.cn)

WeChat ID: ONV-PoE-IoT

Website: www.onvcom.com

Headquarter Address: Room 1003, Block D, Terra Building, Futian District, Shenzhen

Factory Address: Building B3, Galaxy Artificial Intelligence Industrial Park, No. 333, Zhongkai 6th Road, Chenjiang Street, Zhongkai High-tech Zone, Huizhou

