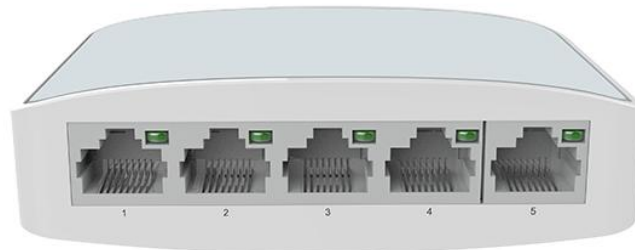


Product Datasheet

5-port Gigabit Easy Managed Ethernet Switch

(ONV-H3005SM)



OVERVIEW

The ONV-H3005SM is a gigabit Easy managed Ethernet switch independently developed by ONV. It has 5*10/100/1000Base-T adaptive RJ45 ports. Each port can support wire-speed forwarding. The ONV-H3005SM can support Web management, ONV-NMS management cloud platform, and mobile APP operation and maintenance management, which can realize security network topology management, link aggregation, port management, port mirroring, and remote operation and maintenance. It has high reliability and is easy to install and maintain. It has a fast switching function and multiple access ports, which is suitable for access to LAN devices of various sizes. The large backplane and large cache switching chip solution improves the forwarding rate of large files and can effectively solve problems such as video freeze and picture loss in high-definition monitoring environments. It is suitable for hotels, banks, campuses, factory dormitories, small and medium-sized enterprises, and families to build economical, efficient, and real-time controllable transmission networks.

FEATURE

■ Gigabit rate, high-speed transmission

- ◇ Support non-blocking wire-speed forwarding.
- ◇ Support full-duplex based on IEEE 802.3x and half-duplex based on Backpressure.
- ◇ Gigabit RJ45 port, high speed, fast transmission, convenient for users to flexibly network, and

meet various high-definition network requirements.

■ Extreme Optimization, minimalist application

- ◇ Real-time fault alarm and fault location.
- ◇ Remote upgrade, remote restart, and factory reset.
- ◇ Local platform, cloud platform, and mobile APP O&M management.
- ◇ Visualized network topology management, VLAN division, QoS, link aggregation, ring network management, port mirroring, port control, and bandwidth management.
- ◇ The easy-to-use network management function enables rapid network deployment and centralized operation and maintenance through the operation and maintenance platform.

■ Stable and reliable

- ◇ CCC, CE, FCC, RoHS.
- ◇ Low power consumption, no fan, ABS and PC environmental protection plastic shell.
- ◇ The user-friendly panel can show the device status through the LED indicator of PWR and Link.

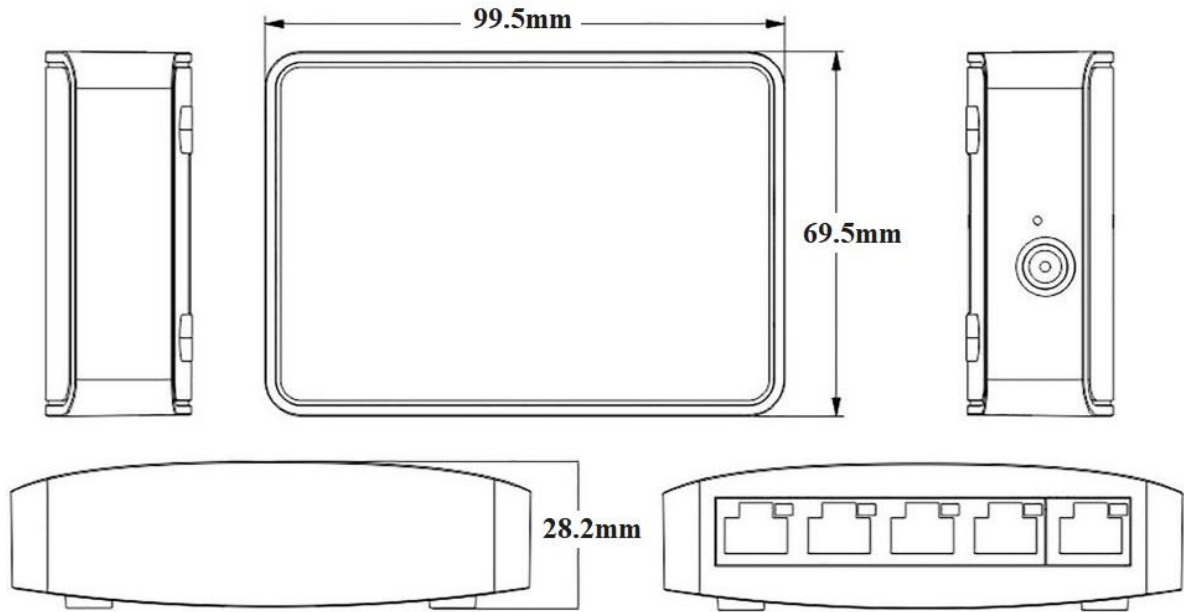
TECHNICAL SPECIFICATION

Model	ONV-H3005SM	ONV-H3008SM
Interface Characteristics		
Fixed Port	5*10/100/1000Base-T RJ45 ports (Data)	8*10/100/1000Base-T RJ45 ports (Data)
Ethernet Port	Port 1-4/1-8 support 10/100/1000Base-T auto-sensing, full/ half duplex MDI/MDI-X self-adaption	
Twisted Pair Transmission	10BASE-T: Cat3,4,5 UTP (≤100 meters) 100BASE-TX: Cat5 or later UTP (≤100 meters) 1000BASE-T: Cat5e or later UTP (≤100 meters)	
Chip Parameter		
Network Management	Easy Web network management, cloud platform management	

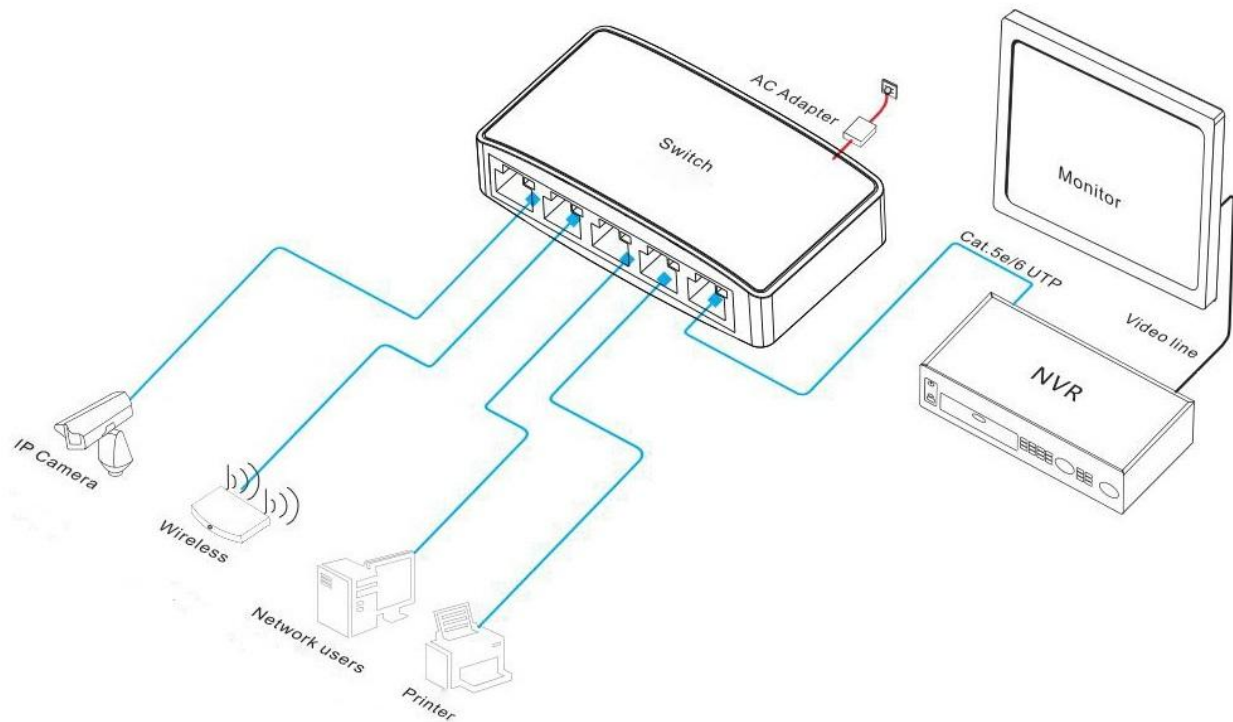
Type		
Network Protocol	IEEE 802.3 10BASE-T, IEEE 802.3i 10Base-T, IEEE 802.3u 100Base-TX, IEEE 802.3ab 1000Base-T, IEEE 802.3x	
Forwarding Mode	Store and Forward (Full Wire Speed)	
Switching Capacity	10Gbps (non-blocking)	16Gbps (non-blocking)
Forwarding Rate @64byte	7.44Mpps	11.9Mpps
MAC	2K	
Buffer Memory	2M	
Jumbo Frame	9.2K	
LED Indicator	Power: PWR (Green), Data: Link/Act (Green)	
Reset Switch	Long press for 6 seconds and then release to restore default settings Short press 2 times (interval 1 second) to switch to the unmanaged state	
Power Supply		
Total PWR / Input Voltage	5W/ DC5V	
Power Consumption	Standby<1W, Full Load<4W	Standby<2W, Full Load<5W
Power Supply	External power adapter, AC100~240V 50-60Hz, 0.56A	
Physical Parameter		
Operation TEMP/ Humidity	0°C~+55°C, 5%~90% RH Non condensing	
Storage TEMP/ Humidity	-40°C~+75°C, 5%~95% RH Non condensing	
Dimension (L*W*H)	99.5*69.5*28.2mm	140*77.5*34mm
Net /Gross Weight	0.1kg /0.2kg	0.25kg /0.35kg
Installation	Desktop	
Certification & Warranty		
Lightning Protection	Lightning protection: 4KV 8/20us, Protection level: IP30	
Certification	CCC, CE mark, commercial, CE/LVD EN62368-1, FCC Part 15 Class B, RoHS	

Warranty	1 year, lifelong maintenance.
Software Parameter	
Interface	EEE Energy-saving and green Ethernet function Port traffic statistics, IEEE 802.3x flow control (Full-duplex) Port status display, Port duplex/ negotiation rate configuration
VLAN	Port-based IEEE802.1Q VLAN configuration (4K)
Port Aggregation	Static aggregation
Loop Protection	Loop protection function
Multicast	IGMP Snooping v1/v2, Max 256 multicast groups
Port Mirroring	Bidirectional data mirroring based on port
QoS	Diff-Serv QoS, Priority Mark/ Remark 8*Output queues of each port, 802.1p/DSCP priority mapping
Security	Broadcast storm control, Port isolation, Port speed limit
DHCP	DHCP Snooping
Management	Mobile APP operation and maintenance management One-key recovery, Cable Diagnose, Web Management (https) ONV-NMS platform management (Local platform/ Cloud platform)
System	Web browser: Mozilla Firefox 2.5 or higher, Google Chrome V42 or higher, Cat5 and above Ethernet cable TCP/IP, network adapter, and network operating system (such as Microsoft Windows, Linux, Mac OS X) installed on each computer in the network Cat5 and above Ethernet cable

DIMENSION



APPLICATION



ORDERING INFORMATION

Model	Description	External Power Adapter
ONV-H3005SM	Easy managed Ethernet switch with 5*10/100/1000M RJ45 ports. It can support Web management, cloud platform, mobile APP operation and maintenance management, and external power adapter.	5W
ONV-H3008SM	Easy managed Ethernet switch with 8*10/100/1000M RJ45 ports. It can support Web management, cloud platform, mobile APP operation and maintenance management, and external power adapter.	5W

PACKING LIST

	Content	Qty	Unit
Packing List	5-port gigabit Easy managed Ethernet switch	1	SET
	Power Adapter 5V/1A	1	PC
	User Guide	1	PC
	Warranty Card and Certificate of Conformity	1	PC

CONTACT US



Optical Network Video Technologies (Shenzhen) Co., Ltd.

Tel: 0086-755-33376606

Fax: 0086-755-33376608

Email: onv@onv.com.cn

Skype: onv@onv.com.cn

WeChat ID: ONV-PoE-IoT

Website: www.onvcom.com

Headquarter Address: Room 1003, Block D, Terra Building, Futian District, Shenzhen

Factory Address: Building B3, Galaxy Artificial Intelligence Industrial Park, No. 333, Zhongkai 6th Road, Chenjiang Street, Zhongkai High-tech Zone, Huizhou

