

## Product Datasheet

# 10-port Gigabit PoE Switch

(ONV-H3108PF)



## OVERVIEW

The ONV-H3108PF is a gigabit PoE fiber switch independently developed by ONV. It has 8\*10/100/1000Base-T PoE ports and 2\*1000Base-X uplink SFP fiber ports. Port 1-8 can support IEEE 802.3 af/at PoE standard and single-port PoE power up to 30W. As a PoE power supply device, it can automatically detect and recognize the power receiving equipment that meets the standard and supply power through the network cable. It can supply power to PoE terminal equipment such as wireless AP, IP camera, VoIP phone, video access control intercom, etc. through network cable to meet the network environment that needs high-density PoE power supply. It is suitable for hotels, campuses, factory quarters and small and medium-sized enterprises to form an economy efficient network. Unmanaged model, plug and play, no configuration, easy to use.

## FEATURE

### ■ Gigabit access

- ◇ Support IEEE 802.3x full-duplex flow control and Backpressure.
- ◇ Support non-blocking wire-speed forwarding for smoother transmission.
- ◇ Provides Gigabit RJ45 port and SFP port uplink for flexible networking and meets the

networking requirements of various scenarios.

### ■ Smart PoE power supply

- ◇ Comply with IEEE 802.3 af/at PoE standard, automatically identify PoE devices for power supply, and not damage non-PoE devices.
- ◇ The PoE port supports the priority mechanism. When the remaining power is insufficient, the power of the high-priority port is given priority to avoid overloading of the device.
- ◇ 8\*10/100/1000Base-T RJ45 ports support PoE power, meeting the PoE power requirements of security monitoring, teleconferencing systems, wireless coverage and other scenarios.

### ■ Stable and reliable

- ◇ CCC, CE, FCC, RoHS.
- ◇ The user-friendly panel can show the device status through the LED indicator of PWR, Link, and PoE.
- ◇ Self-developed power supply, high redundancy design, providing a long term and stable PoE power output.
- ◇ Low power consumption, metal housing, and excellent heat dissipation to ensure stable operation of the switch.

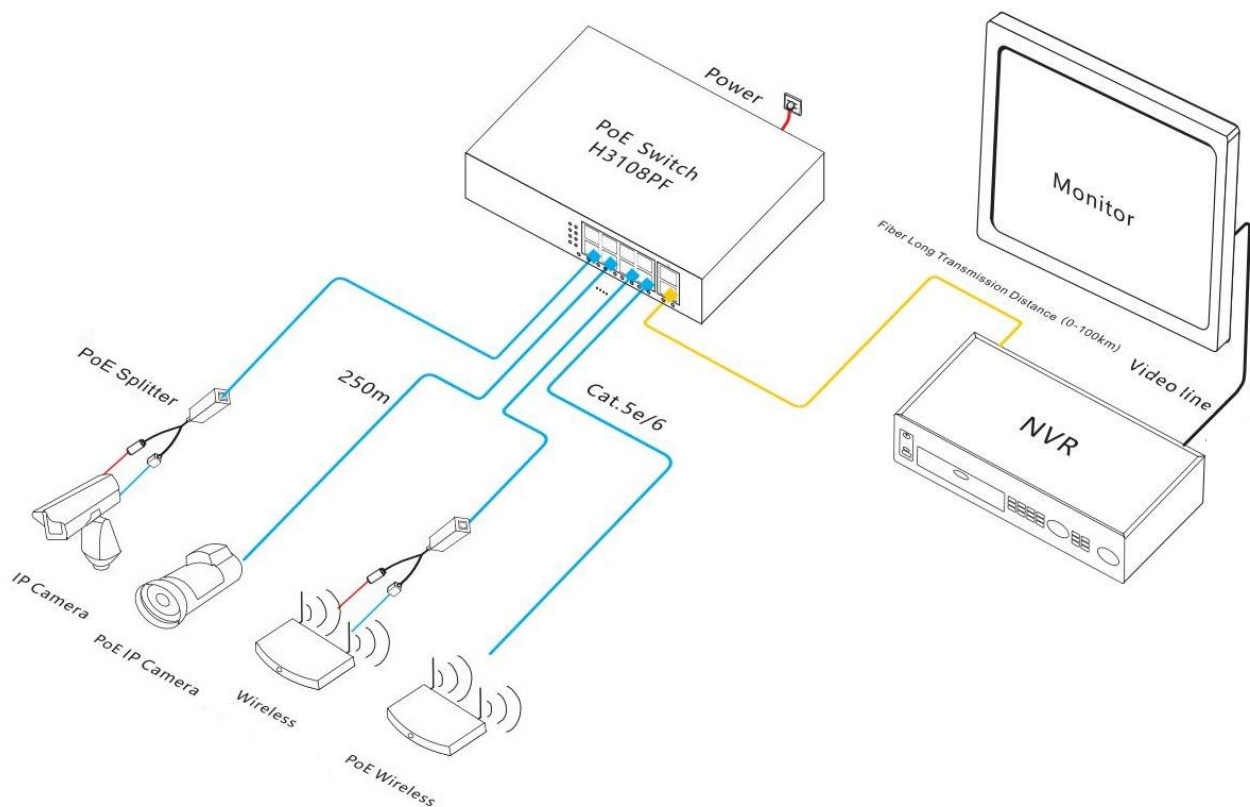
## TECHNICAL SPECIFICATION

Model	ONV-H3108PF	ONV-H3108PFS
<b>Interface Characteristics</b>		
Fixed Port	2*1000Base-X uplink SFP fiber ports (Data) 8*10/100/1000Base-T PoE ports (Data/Power)	
Ethernet Port	Port 1-8 support 10/100/1000Base-T auto-sensing, full/ half duplex MDI/ MDI-X self-adaption	
Twisted Pair Transmission	10BASE-T: Cat3, 4, 5 UTP (≤100 meters) 100BASE-TX: Cat5 or later UTP (≤100 meters) 1000BASE-T: Cat5e or later UTP (≤100 meters)	

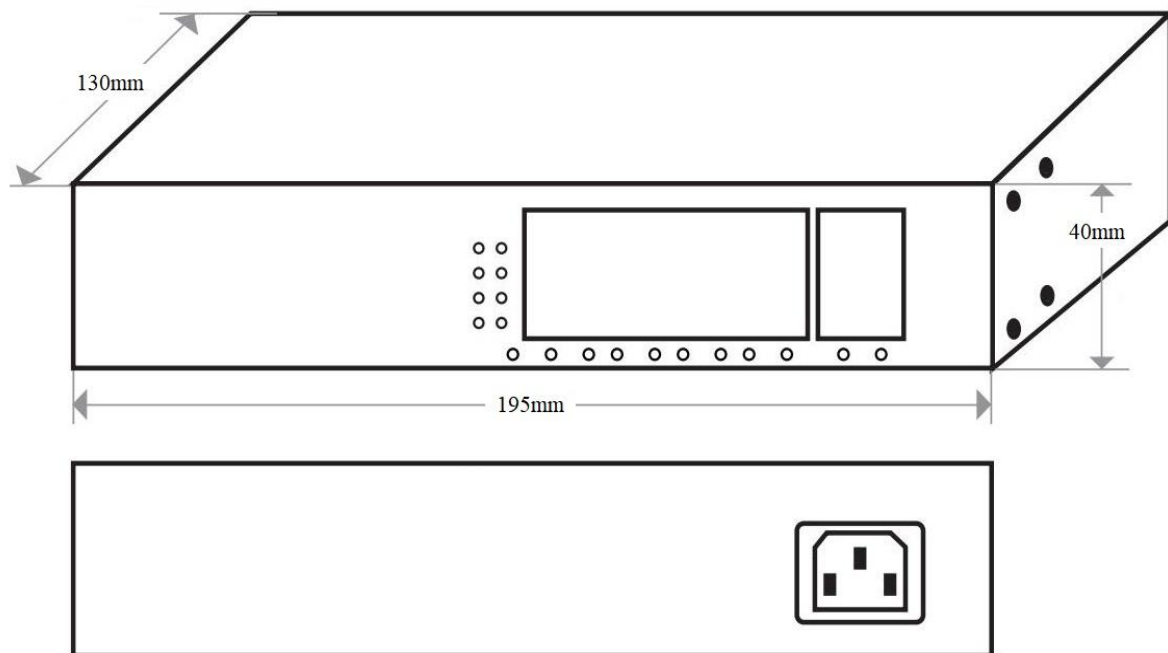
Optical Fiber Port	Optical fiber port, default no include optical module (optional single-mode/ multi-mode, single fiber/ dual fiber optical module. LC)	
Optical Cable/ Distance	Multi-mode: 850nm/ 0-550m, Single-mode: 1310nm/ 0-40km, 1550nm/ 0-120km	
<b>Chip Parameter</b>		
Network Protocol	IEEE 802.3 10BASE-T, IEEE 802.3i 10Base-T, IEEE 802.3u 100Base-TX, IEEE 802.3ab 1000Base-T, IEEE 802.3z 1000Base-X, IEEE 802.3x	
Forwarding Mode	Store and Forward (Full Wire Speed)	
Switching Capacity	20Gbps (non-blocking)	
Forwarding Rate @64byte	14.88Mpps	
MAC	2K	
Buffer Memory	2M	
Jumbo Frame	9.2k	
LED Indicator	Power: PWR (Green), Network: Link (Green), PoE: PoE (Green)	
<b>PoE &amp; Power Supply</b>		
PoE Port	Port 1 to 8	
Power Supply Pin	1/2(+) 3/6(-)	
Max Power Per Port	30W, IEEE 802.3 af/at	30W, PoE+
Total PWR / Input Voltage	120W/ (AC100-240V)	100W/ (AC100-240V)
Power Consumption	Standby <6W, Full load <120W	Standby <6W, Full load <100W
Power Supply	Built-in power supply, AC100~240V 50-60Hz, 2.0A	Built-in power supply, AC100~240V 50-60Hz, 2.0A
<b>Physical Parameter</b>		
Operation TEMP/ Humidity	-20°C~+55°C, 5%~90% RH Non condensing	
Storage TEMP/	-40°C~+85°C, 5%~95% RH Non condensing	

Humidity	
Dimension (L*W*H)	195*130*40mm
Net /Gross Weight	0.75kg / 1.0kg
Installation	Desktop, Wall mount
<b>Certification &amp; Warranty</b>	
Lightning Protection	Lightning protection: 4KV 8/20us, Protection level: IP30
Certification	CCC, CE mark, commercial, CE/LVD EN62368-1, FCC Part 15 Class B, RoHS
Warranty	1 year, lifelong maintenance.

## APPLICATION



## DIMENSION



## ORDERING INFORMATION

Model	Description	Built-in Power Supply
ONV-H3108PF	Unmanaged PoE switch with 8*10/100/1000M PoE ports and 2*1000M SFP ports. Port 1-8 can support IEEE 802.3af/at PoE standard. Built-in power supply.	120W
ONV-H3108PFS	Unmanaged PoE switch with 8*10/100/1000M PoE ports and 2*1000M SFP ports. Port 1-8 can support PoE+ power supply. Built-in power supply.	100W

**Note:** The optical module is not included and needs to be purchased.

## PACKING LIST

	Content	Qty	Unit
Packing List	10-port gigabit PoE switch	1	SET
	AC Power Line	1	PC
	User Guide	1	PC
	Warranty Card and Certificate of Conformity	1	PC

## OPTICAL MODULE

Product	Model	Description	Unit
1.25G Optical Module	2630	SFP optical module, 1.25G multi-mode dual fiber 850nm, transmission distance: 550m, LC interface. supports DDM function and hot plugging.	PC
	2632	SFP optical module, 1.25G single-mode dual fiber 1310nm, transmission distance: 20km, LC interface. supports DDM function and hot plugging.	PC
	2612-T	SFP optical module, 1.25G single-mode single fiber TX1310nm/ RX1550nm, transmission distance: 20km, LC interface. supports DDM function and hot plugging.	PC
	2613-R	SFP optical module, 1.25G single-mode single fiber TX1550nm/ RX1310nm, transmission distance: 20km, LC interface. supports DDM function and hot plugging.	PC
	2612-T-SC	SFP optical module, 1.25G single-mode single fiber TX1310nm/ RX1550nm, transmission distance: 20km, SC interface. supports DDM function and hot plugging.	PC
	2613-R-SC	SFP optical module, 1.25G single-mode single fiber TX1550nm/ RX1310nm, transmission distance: 20km, SC interface. supports DDM function and hot plugging.	PC

## CONTACT US

**ONV** Optical Network Video Technologies (Shenzhen) Co., Ltd.

Tel: 0086-755-33376606

Fax: 0086-755-33376608

WeChat: ONV-PoE-IoT

Email: onv@onv.com.cn

Skype: onv@onv.com.cn

Website: www.onvcom.com

Headquarter Address: Room 1003, Block D, Terra Building, Futian District, Shenzhen

Factory Address: Building B3, Galaxy Artificial Intelligence Industrial Park, No. 333, Zhongkai 6th Road, Chenjiang Street, Zhongkai High-tech Zone, Huizhou

