

Product Datasheet

5-port 10/100M Industrial Ethernet Switch (ONV-IPS1004F)



OVERVIEW

The ONV-IPS1004F is a 10/100M Industrial Ethernet fiber switch independently developed by ONV. It has 4*10/100M RJ45 ports and 1*155M uplink SC fiber port, and each port can support full line-rate forwarding.

The ONV-IPS1004F has excellent industrial field environment adaptability (mechanical stability, climate adaptability, electromagnetic environment adaptability, etc.). The protection level is IP30 and 5-year warranty. It is suitable for industrial scenes such as intelligent transportation, rail transit, power industry, mining, petroleum, shipping, metallurgy, and green energy construction to form a cost-effective, stable, and reliable communication network. Unmanaged model, plug and play, no configuration, easy to use.

FEATURE

■ 10/100M access, Fast Ethernet

- ◇ Support non-blocking wire speed forwarding
- ◇ Support full duplex based on IEEE 802.3x and half duplex based on Backpressure
- ◇ Support 100M RJ45 port and 155M SC fiber port combination to meet networking needs in various scenarios.

■ Stable and reliable

- ◇ CCC, CE, FCC, RoHS.
- ◇ The user-friendly panel can show the device status through the LED indicator of PWR and Link.
- ◇ Low power consumption, no fan, Aluminum alloy housing, and excellent heat dissipation to ensure the stable operation of the switch.

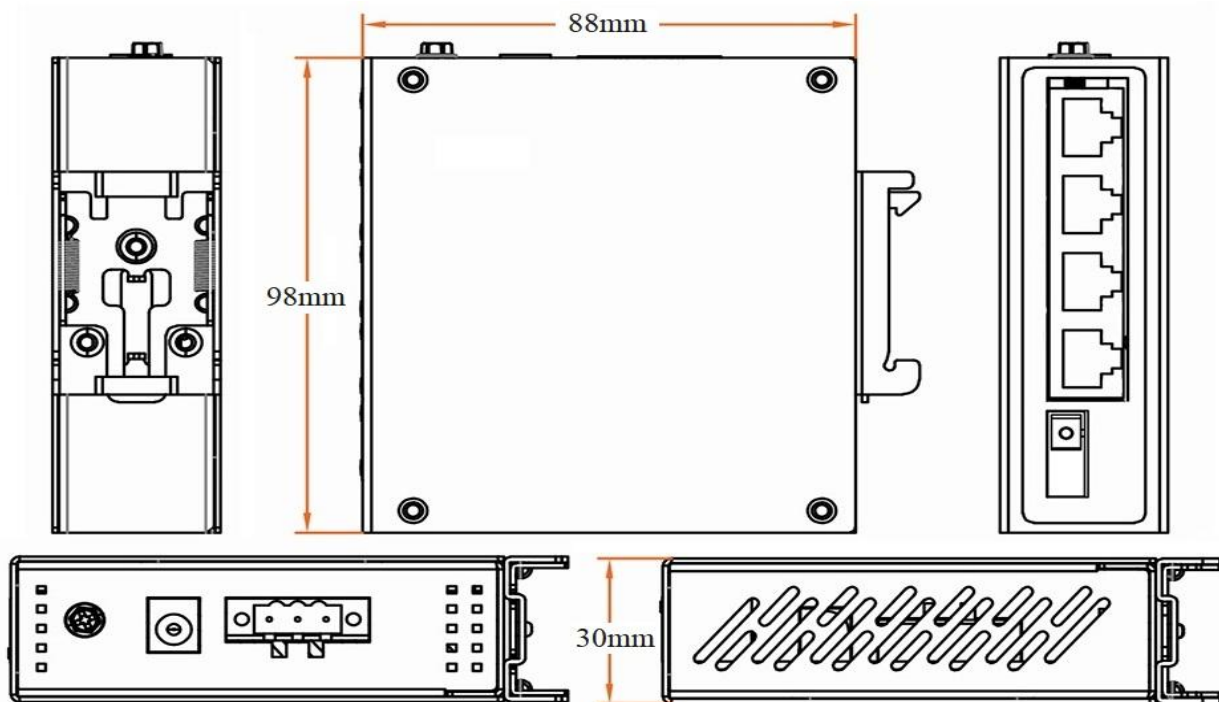
TECHNICAL SPECIFICATION

Model	ONV-IPS1004F
Interface Characteristics	
Fixed Port	1*DC5521 power socket 1*155M uplink SC fiber port(Data) 4*10/100Base-TX RJ45 ports(Data) 2 sets V+, V- redundant DC power port (3P Phoenix terminal)
Ethernet Port	Port 1-4 can support 10/100Base-T(X) auto-sensing, full/ half duplex MDI/MDI-X self-adaption
Twisted Pair	10BASE-T: Cat3,4,5 UTP (≤100 meters)
Transmission	100BASE-TX: Cat5e or later UTP (≤100 meters)
Optical Fiber Port	Default optical module is single-mode dual fiber 20km, SC port
Optical Cable/ Distance	Multi-mode: 850nm/ 0-550m, 1310nm/ 0-2km, Single-mode: 1310nm/ 0-40km, 1550nm/ 0-120km




Chip Parameter	
Network Protocol	IEEE 802.3 10BASE-T, IEEE 802.3i 10Base-T, IEEE 802.3u 100Base-TX, IEEE 802.3u 100Base-FX, IEEE 802.3x
Forwarding Mode	Store and Forward (Full Wire Speed)
Switching Capacity	1.0Gbps (non-blocking)
Forwarding Rate @64byte	0.744Mpps
MAC	2K
Buffer Memory	512K
Jumbo Frame	2048bytes
LED Indicator	Power: PWR(Green), Network: Link 1-4 (Green), Fiber port: FX (Green)
Power Supply	
Power Consumption	Standby<3W, Full load<5W
Power Supply	No, optional 12V/24W or 24V/24W industrial power supply
Working Voltage	DC12-48V, 3P industrial phoenix terminal, anti-reverse protection.
Physical Parameter	
Operation TEMP/ Humidity	-40~+75°C, 5%~90% RH Non condensing
Storage TEMP/ Humidity	-40~+85°C, 5%~95% RH Non condensing
Dimension (L*W*H)	98*88*30mm
Net /Gross Weight	0.25kg/ 0.35kg
Installation	Desktop, DIN Rail
Certification & Warranty	
Lightning Protection	Protection level: IP30 Lightning protection: 6KV 8/20us IEC61000-4-3 (RS):10V/m (80~1000MHz) FCC Part 15/CISPR22 (EN55022): Class B IEC61000-6-2 (Common Industrial Standard)

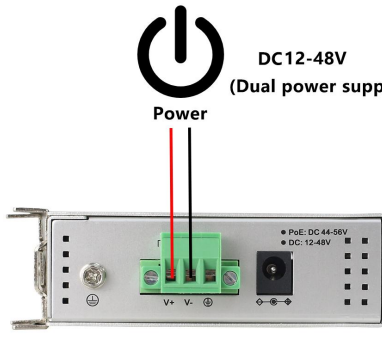
	<p>IEC61000-4-9 (Pulsed magnet field): 1000A/m</p> <p>IEC61000-4-10 (Damped oscillation): 30A/m 1MHz</p> <p>IEC61000-4-12/18 (Shockwave): CM2.5kV, DM1kV</p> <p>IEC61000-4-4(EFT): Power cable: $\pm 4kV$, data cable: $\pm 2kV$</p> <p>IEC61000-4-16 (Common-mode transmission): 30V, 300V, 1s</p> <p>IEC61000-4-2 (ESD): $\pm 8kV$ contact discharge, $\pm 15kV$ air discharge</p> <p>IEC61000-4-6 (Radio frequency transmission): 10V(150kHz~80MHz)</p> <p>IEC61000-4-8 (Power frequency magnetic field): 100A/m, 1000A/m, 1s-3s</p> <p>IEC61000-4-5 (Surge): Power cable: CM$\pm 4kV$/ DM$\pm 2kV$, data cable: $\pm 4kV$</p>
Mechanical Properties	IEC60068-2-6 (Anti Vibration), IEC60068-2-32 (Free Fall), IEC60068-2-27 (Anti Shock)
Certification	CCC, CE mark, commercial, CE/LVD EN62368-1, FCC Part 15 Class B, RoHS
Warranty	5 years, lifelong maintenance.

DIMENSION



APPLICATION

-  **Plug and play**
-  **Wide temperature range**
-  **DIN Rail installation**

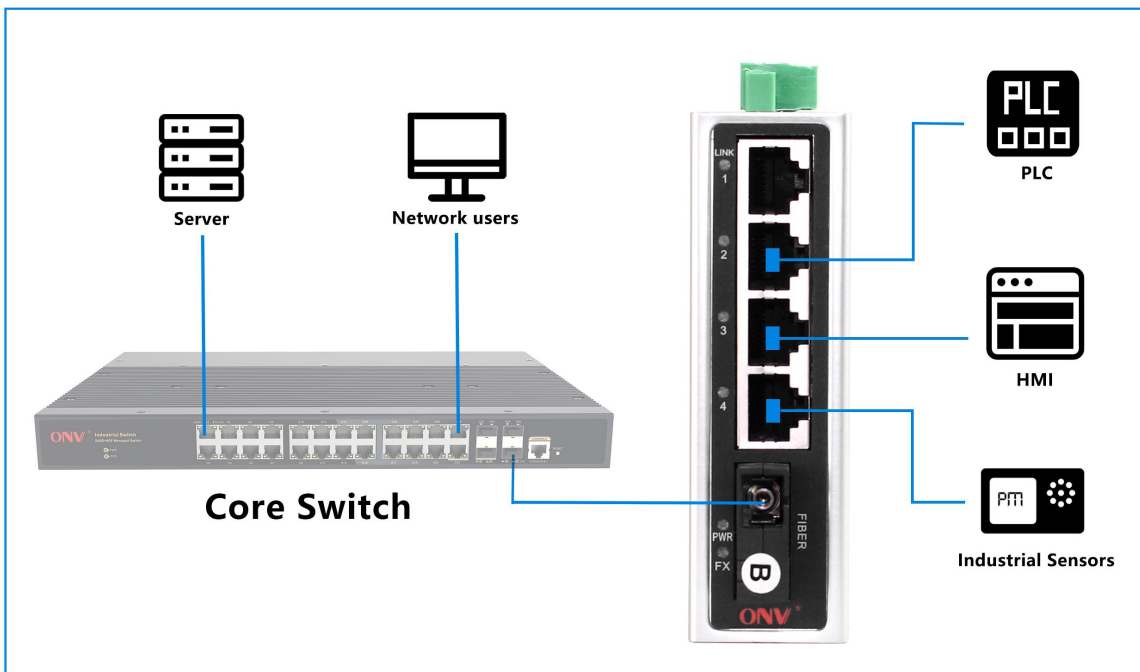


DC12-48V
(Dual power supply)

Power

V+ V- GND

PoE: DC 44-58V
DC: 12-48V



ORDERING INFORMATION

Model	Description	Recommended Power Supply
ONV-IPS1004F	Unmanaged industrial Ethernet fiber switch with 4*10/100M RJ45 ports and 1*155M uplink SC fiber port (1310nm/ 20km single-mode dual fiber optical module). It can support dual DC power input and DIN rail mounting.	24W
ONV-IPS1004F-A	Unmanaged industrial Ethernet fiber switch with 4*10/100M	24W

	RJ45 ports and 1*155M uplink SC fiber port (1310nm/ 20km single-mode single fiber optical module). It can support dual DC power input and DIN rail mounting.	
ONV-IPS1004F-B	Unmanaged industrial Ethernet fiber switch with 4*10/100M RJ45 ports and 1*155M uplink SC fiber port (1550nm/ 20km single-mode single fiber optical module). It can support dual DC power input and DIN rail mounting.	24W
Note: The power supply is not included and needs to be purchased.		

PACKING LIST

	Content	Qty	Unit
Packing List	5-port 10/100M industrial Ethernet switch	1	SET
	User Guide	1	PC
	Warranty Card and Certificate of Conformity	1	PC

POWER SUPPLY

Product	Model	Description	Unit
24W DIN Rail Industrial Power Supply	GWS-DP24-12	DIN Rail 24W single set of output power supply Input Voltage: AC100V~240V 50-60H, 0.35A Output Voltage: DC12V, 2.0A Operation Temperature: -40°C to +70°C	PC
24W DIN Rail Industrial Power Supply	GWS-DP24-24	DIN Rail 24W single set of output power supply Input Voltage: AC100V~240V 50-60H, 0.35A Output Voltage: DC24V, 1.0A Operation Temperature: -40°C to +70°C	PC

CONTACT US

ONV Optical Network Video Technologies (Shenzhen) Co., Ltd.

Tel: 0086-755-33376606

Fax: 0086-755-33376608

Email: onv@onv.com.cn

Skype: [onv@onv.com.cn](https://www.skype.com/people/onv@onv.com.cn)

WeChat ID: ONV-PoE-IoT

Website: www.onvcom.com

Headquarter Address: Room 1003, Block D, Terra Building, Futian District, Shenzhen

Factory Address: Building B3, Galaxy Artificial Intelligence Industrial Park, No. 333, Zhongkai 6th Road, Chenjiang Street, Zhongkai High-tech Zone, Huizhou

