

## Product Datasheet

# 6-port Gigabit Industrial Ethernet Switch

(ONV-IPS3064)



## OVERVIEW

The ONV-IPS3064 is a gigabit industrial Ethernet switch independently developed by ONV. It is designed to meet industrial fields and systems and can operate stably for a long time in harsh environments. It has 6\*10/100/1000M adaptive RJ45 ports. Each port can support full line-rate forwarding.

The ONV-IPS3064 has excellent industrial field environment adaptability (including mechanical stability, climate adaptability, electromagnetic environment adaptability, etc.). The protection level is IP30 and 5-year warranty. It is suitable for industrial scenes such as intelligent transportation, rail transit, power industry, mining, petroleum, shipping, metallurgy, and green energy construction to form a cost-effective, stable, and reliable communication network. Unmanaged model, plug and play, no configuration, easy to use.

## FEATURE

### ■ Gigabit access

- ◇ Support non-blocking wire-speed forwarding.
- ◇ Support full-duplex based on IEEE 802.3x and half-duplex based on Backpressure.
- ◇ Support Gigabit RJ45 ports, high speed, and high bandwidth connection to meet the needs of various scenarios.

### ■ Stable and reliable

- ◇ CCC, CE, FCC, RoHS.
- ◇ The user-friendly panel can show the device status through the LED indicator of PWR and Link.
- ◇ Low power consumption, no fan, Aluminum alloy housing, and excellent heat dissipation to ensure the stable operation of the switch.

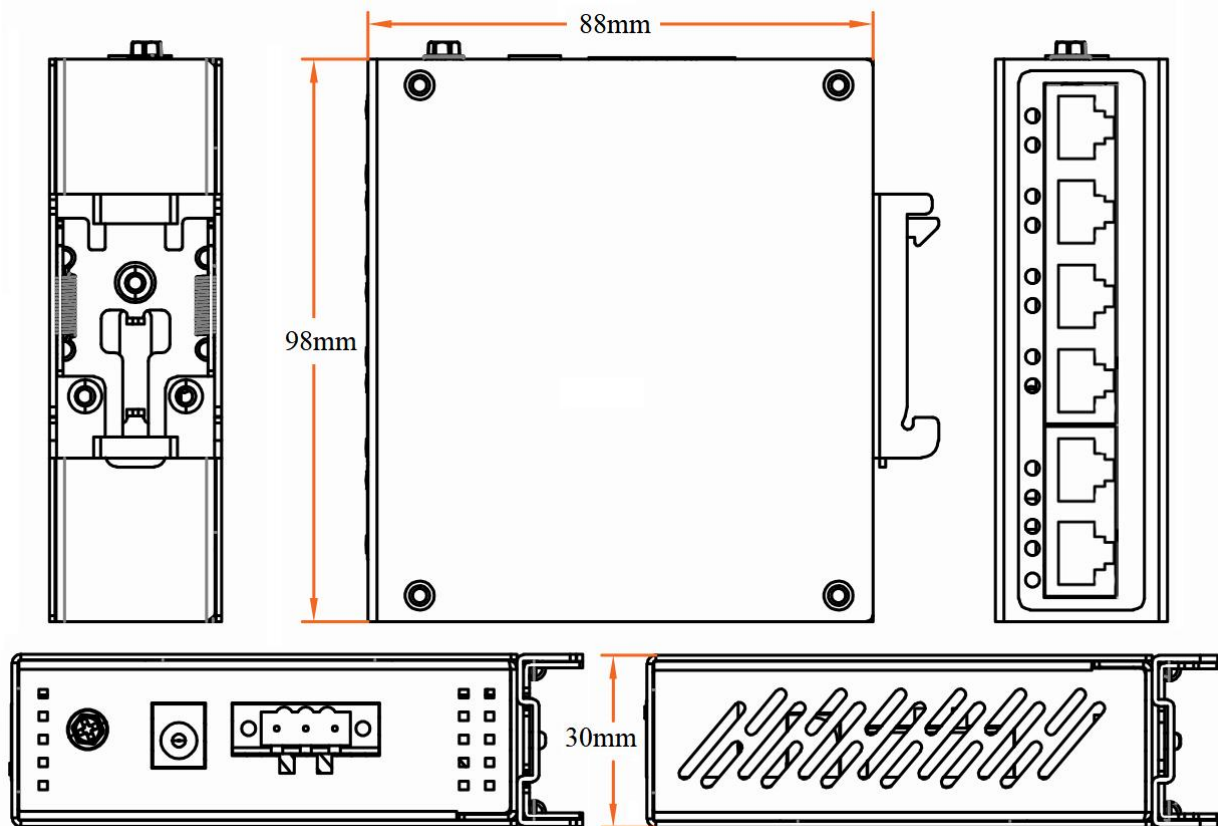
## TECHNICAL SPECIFICATION

Model	ONV-IPS3064
<b>Interface Characteristics</b>	
Fixed Port	1*DC5521 power socket 6*10/100/1000Base-T RJ45 ports (Data) 2 sets V+, V- redundant DC power port (3P Phoenix terminal)
Ethernet Port	Port 1-6 can support 10/100/1000Base-T auto-sensing, full/ half duplex MDI/ MDI-X self-adaption
Twisted Pair Transmission	10BASE-T: Cat3,4,5 UTP (≤100 meters) 100BASE-TX: Cat5 or later UTP (≤100 meters) 1000BASE-T: Cat5e or later UTP (≤100 meters)
<b>Chip Parameter</b>	
Network Protocol	IEEE 802.3 10BASE-T, IEEE 802.3i 10Base-T, IEEE 802.3u 100Base-TX, IEEE 802.3ab 1000Base-T, IEEE 802.3x

Forwarding Mode	Store and Forward (Full Wire Speed)
Switching Capacity	16Gbps (non-blocking)
Forwarding Rate @64byte	8.93Mpps
MAC	8K
Buffer Memory	2M
Jumbo Frame	9216bytes
LED Indicator	Power: PWR (Green), Network: Link G1-G6 (Green)
<b>Power Supply</b>	
Power Consumption	Standby<3W, Full load<6W
Working Voltage	DC12-48V, 3P industrial phoenix terminal, anti-reverse protection.
Power Supply	No, optional 12V/24W or 24V/24W industrial power supply
<b>Physical Parameter</b>	
Operation Temp/ Humidity	-40~+75°C, 5%~90% RH Non condensing
Storage Temp/ Humidity	-40~+85°C, 5%~95% RH Non condensing
Dimension (L*W*H)	98*88*30mm
Net /Gross Weight	0.25kg / 0.35kg
Installation	Desktop, 35mm DIN Rail
<b>Certification &amp; Warranty</b>	
Lightning Protection	Protection level: IP30 Lightning protection: 6KV 8/20us IEC61000-4-3 (RS):10V/m (80~1000MHz) FCC Part 15/CISPR22 (EN55022): Class B IEC61000-6-2 (Common Industrial Standard) IEC61000-4-9 (Pulsed magnet field): 1000A/m IEC61000-4-10 (Damped oscillation): 30A/m 1MHz IEC61000-4-12/18 (Shockwave): CM2.5kV, DM1kV

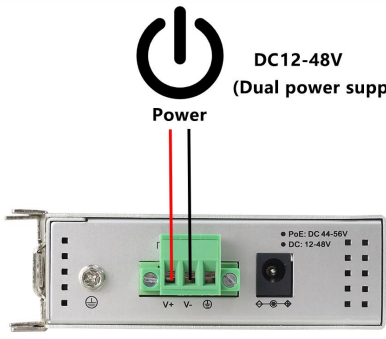
	<p>IEC61000-4-4(EFT): Power cable: <math>\pm 4\text{kV}</math>, data cable: <math>\pm 2\text{kV}</math></p> <p>IEC61000-4-16 (Common-mode transmission): 30V, 300V, 1s</p> <p>IEC61000-4-2 (ESD): <math>\pm 8\text{kV}</math> contact discharge, <math>\pm 15\text{kV}</math> air discharge</p> <p>IEC61000-4-6 (Radio frequency transmission): 10V(150kHz~80MHz)</p> <p>IEC61000-4-8 (Power frequency magnetic field): 100A/m, 1000A/m, 1s-3s</p> <p>IEC61000-4-5 (Surge): Power cable: CM<math>\pm 4\text{kV}</math>/ DM<math>\pm 2\text{kV}</math>, data cable: <math>\pm 4\text{kV}</math></p>
Mechanical Properties	IEC60068-2-6 (Anti Vibration), IEC60068-2-32 (Free Fall), IEC60068-2-27 (Anti Shock)
Certification	CCC, CE mark, commercial, CE/LVD EN62368-1, FCC Part 15 Class B, RoHS
Warranty	5 years, lifelong maintenance.

## DIMENSION



## APPLICATION

-  **Plug and play**
-  **Wide temperature range**
-  **DIN Rail installation**

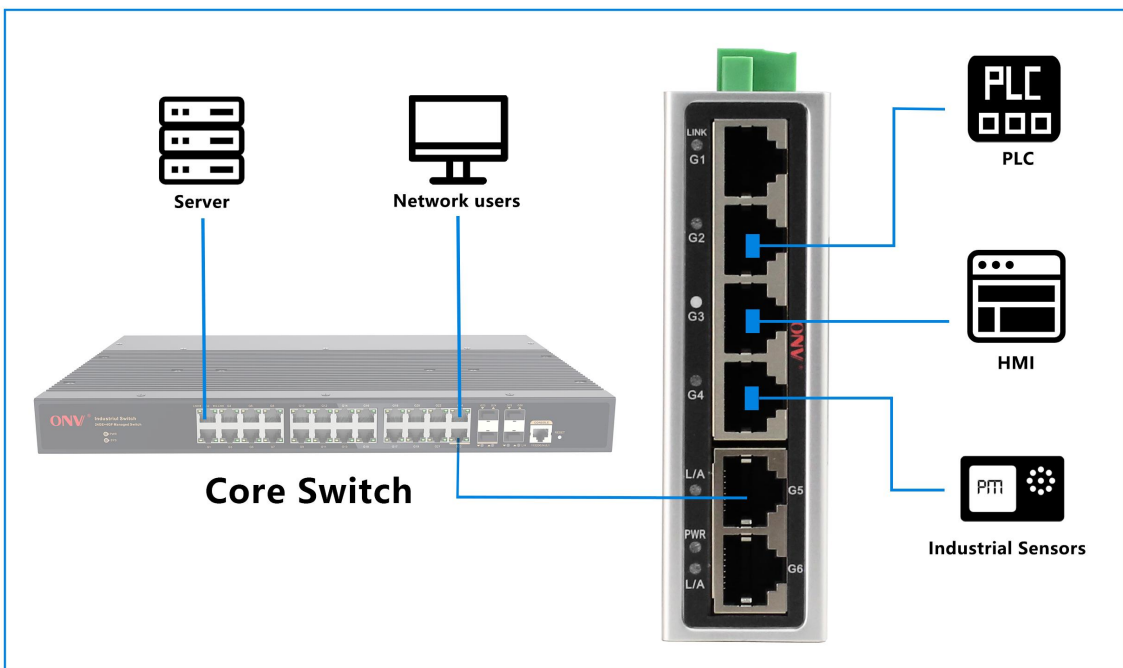


DC12-48V  
(Dual power supply)

Power

V+ V-

PoE: DC 44-58V  
DC 12-48V



## ORDERING INFORMATION

Model	Description	Recommended Power Supply
ONV-IPS3064	Unmanaged industrial Ethernet switch with 6*10/100/1000M RJ45 ports. It can support dual DC redundant power input and DIN Rail mounting.	24W

**Note:** The power supply is not included and needs to be purchased.

## PACKING LIST

	Content	Qty	Unit
Packing List	6-port gigabit industrial Ethernet switch	1	SET
	User Guide	1	PC
	Warranty Card and Certificate of Conformity	1	PC

## POWER SUPPLY

Product	Model	Description	Unit
24W DIN Rail Industrial Power Supply	GWS-DP24-12	DIN Rail 24W single set of output power supply Input Voltage: AC100V~240V 50-60H, 0.35A Output Voltage: DC12V, 2.0A Operation Temperature: -40°C to +70°C	PC
24W DIN Rail Industrial Power Supply	GWS-DP24-24	DIN Rail 24W single set of output power supply Input Voltage: AC100V~240V 50-60H, 0.35A Output Voltage: DC24V, 1.0A Operation Temperature: -40°C to +70°C	PC

## CONTACT US

**ONV** Optical Network Video Technologies (Shenzhen) Co., Ltd.

Tel: 0086-755-33376606

Fax: 0086-755-33376608

Email: onv@onv.com.cn

Skype: onv@onv.com.cn

WeChat ID: ONV-PoE-IoT

Website: www.onvcom.com

Headquarter Address: Room 1003, Block D, Terra Building, Futian District, Shenzhen

Factory Address: Building B3, Galaxy Artificial Intelligence Industrial Park, No. 333, Zhongkai 6th Road, Chenjiang Street, Zhongkai High-tech Zone, Huizhou