

## Product Datasheet

# 2-port Gigabit Single-mode Single Fiber Media Converter (ONV1110S-SCX-O-A3)



## OVERVIEW

The ONV1110S-SCX-O-A3 is a Gigabit single-mode single fiber media converter independently developed by ONV. It has 1\*10/100/1000Base-T RJ45 port and 1\*1.25G uplink SC fiber port. Users can select different optical modules, such as multi-mode dual fiber, single-mode dual fiber, and single-mode single fiber. The media converter adopts enterprise-level telecom-grade chip solutions with stable performance, excellent quality, and high-cost performance. It is suitable for optical fiber access application scenarios such as security monitoring, wireless coverage, intelligent transportation, and safe cities to form a cost-effective and stable communication network. Unmanaged mode, plug and play, no configuration, easy to use.

## FEATURE

### ■ Gigabit photoelectric Ethernet conversion transmission

- ◇ Support non-blocking wire-speed forwarding.

- ◇ Support full-duplex based on IEEE 802.3x and half-duplex based on Backpressure.
- ◇ Support Gigabit RJ45 port and SC fiber port combination, which enables users to flexibly build networking to meet the needs of various scenarios.

#### ■ Easy to use and simple to maintain

- ◇ Support full-duplex/ half-duplex working mode with auto-negotiation function.
- ◇ Automatic identification of twisted pair MDI/MDI-X cross lines and parallel lines.
- ◇ LED working status indication for network diagnosis and fault checking, reducing maintenance workload.
- ◇ Plug and play, no configuration, centralized power supply and centralized connection management through 2U-14 slot rack.
- ◇ Compatible with IEEE802.3ab 1000Base-T, IEEE802.3z 1000Base-X network protocols, port 10/100/1000M rate auto-negotiation.

#### ■ Stable and reliable

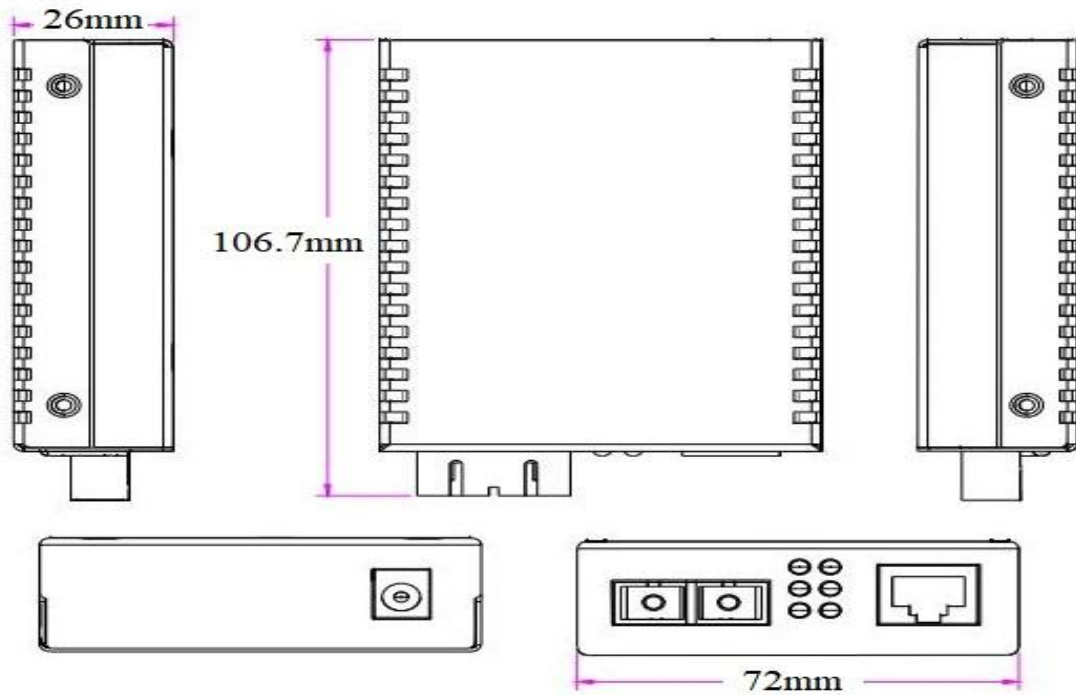
- ◇ CCC, CE, FCC, RoHS.
- ◇ Low power consumption, no fan, galvanized steel housing, and excellent heat dissipation ensure stable operation of the product.

## TECHNICAL SPECIFICATION

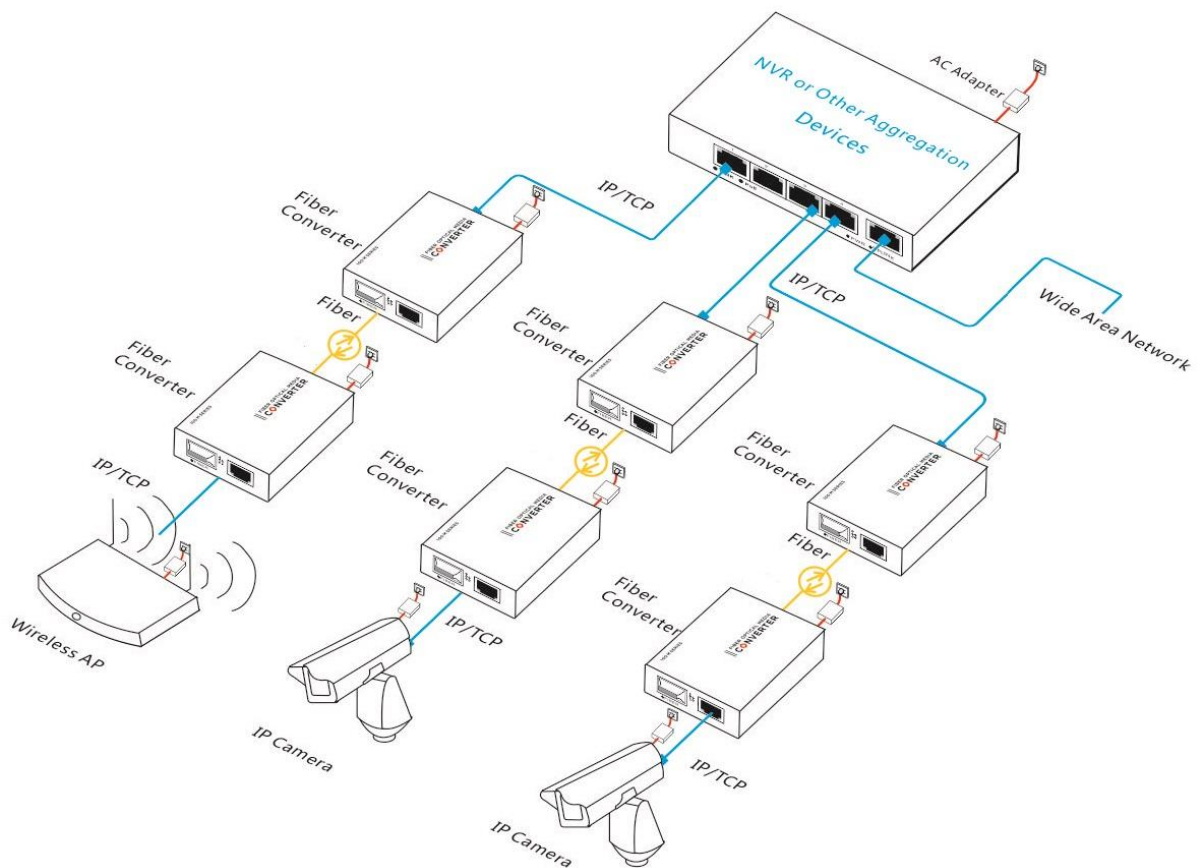
Model	ONV1110S-SCX-O-A3	ONV1110S-SCX-O-B3
<b>Interface Characteristics</b>		
Fixed Port	1*1.25G uplink SC fiber port (Data) 1*10/100/1000Base-T RJ45 port (Data)	
Ethernet Port	10/100/1000Base-T auto-sensing, full/ half duplex MDI/ MDI-X self-adaption	
Twisted Pair Transmission	10BASE-T: Cat3,4,5 UTP(≤100 meters) 100BASE-TX: Cat5 or later UTP(≤100 meters) 1000BASE-T: Cat5e or later UTP(≤100 meters)	
Optical Fiber Port	Single-mode single fiber SC port	

Optical Module	Emitting: 1310nm/ 0-3km Receiving: 1550nm/ 0-3km	Emitting: 1550nm/ 0-3km Receiving: 1310nm/ 0-3km
<b>Chip Parameter</b>		
Network Protocol	IEEE 802.3 10BASE-T, IEEE 802.3i 10Base-T, IEEE 802.3u 100Base-TX, IEEE 802.3ab 1000Base-T, IEEE 802.3z 1000Base-X, IEEE 802.3x	
Forwarding Mode	Store and forward (Full wire speed)	
Switching Capacity	2.0Gbps (non-blocking)	
Forwarding Rate @64byte	3.0Mpps	
MAC	2K	
Buffer Memory	1M	
Jumbo Frame	1632byte	
LED Indicator	Power: PWR (Green), Optical fiber/ Network: L/A (Green), Half/ Full duplex: FDX (Green), 100M: 100 (Green), Gigabit: 1000 (Green)	
<b>Power Supply</b>		
Total PWR/ Input Voltage	3.5W/ (5VDC)	
Power Consumption	Standby<1W, Full Load<4W	
<b>Physical Parameter</b>		
Operation Temp/ Humidity	-20°C~+55°C, 5%~90% RH Non condensing	
Storage Temp/ Humidity	-40°C~+85°C, 5%~95% RH Non condensing	
Dimension (L*W*H)	106.7*72*26mm	
Net /Gross Weight	0.25kg/ 0.45kg	
Installation	Desktop	
<b>Certification &amp; Warranty</b>		
Lightning Protection	Lightning protection: 4KV 8/20us, Protection level: IP30	
Certification	CCC, CE mark, commercial, CE/LVD EN62368-1, FCC Part 15 Class B, RoHS	
Warranty	3 years, lifelong maintenance.	

## DIMENSION



## APPLICATION



## ORDERING INFORMATION

Model	Description
ONV1110S-SCX-O-A3	Gigabit <b>single-mode single fiber</b> media converter with 1*10/100/1000M RJ45 port and 1*1.25G SC fiber port. 1310nm/ 3km. Total power is 4W. External power supply.
ONV1110S-SCX-O-B3	Gigabit <b>single-mode single fiber</b> media converter with 1*10/100/1000M RJ45 port and 1*1.25G SC fiber port. 1550nm/ 3km. Total power is 4W. External power supply.
ONV1110-MCX-O	Gigabit <b>multi-mode dual fiber</b> media converter with 1*10/100/1000M RJ45 port and 1*1.25G SC fiber port. 850nm/ 0-550m. Total power is 4W. External power supply.
ONV1110-SCX-O	Gigabit <b>single-mode dual fiber</b> media converter with 1*10/100/1000M RJ45 port and 1*1.25G SC fiber port. 1310nm/ 0-20km. Total power is 4W. External power supply.
ONV1110S-SCX-O-A	Gigabit <b>single-mode single fiber</b> media converter with 1*10/100/1000M RJ45 port and 1*1.25G SC fiber port. 1310nm/ 0-20km. Total power is 4W. External power supply.
ONV1110S-SCX-O-B	Gigabit <b>single-mode single fiber</b> media converter with 1*10/100/1000M RJ45 port and 1*1.25G SC fiber port. 1550nm/0-20km. Total power is 4W. External power supply.
ONV1110-MLX-F	Gigabit <b>multi-mode dual fiber</b> media converter with 1*10/100/1000M RJ45 port and 1*1.25G SFP fiber port. 850nm/ 0-550m. Total power is 4W. External power supply.
ONV1110-SLX-F	Gigabit <b>single-mode dual fiber</b> media converter with 1*10/100/1000M RJ45 port and 1*1.25G SFP fiber port. 1310nm/ 0-20km. Total power is 4W. External power supply.
ONV1110S-SLX-A	Gigabit <b>single-mode single fiber</b> media converter with 1*10/100/1000M RJ45 port and 1*1.25G SFP fiber port. 1310nm/ 0-20km. Total power is 4W.

	External power supply.
ONV1110S-SLX-B	Gigabit <b>single-mode single fiber</b> media converter with 1*10/100/1000M RJ45 port and 1*1.25G SFP fiber port. 1550nm/0-20km. Total power is 4W. External power supply.

## PACKING LIST

	Content	Qty	Unit
Packing List	2-port gigabit single-mode single fiber media converter	1	Set
	5V/1A Power Adapter	1	PC
	User Guide	1	PC
	Warranty Card and Certificate of Conformity	1	PC

## CONTACT US

**ONV** Optical Network Video Technologies (Shenzhen) Co., Ltd.

Tel: 0086-755-33376606

Fax: 0086-755-33376608

WeChat: ONV-PoE-IoT

Email: onv@onv.com.cn

Skype: onv@onv.com.cn

Website: www.onvcom.com

Headquarter Address: Room 1003, Block D, Terra Building, Futian District, Shenzhen

Factory Address: Building B3, Galaxy Artificial Intelligence Industrial Park, No. 333, Zhongkai 6th Road, Chenjiang Street, Zhongkai High-tech Zone, Huizhou

