

Product Datasheet

Backup Power

(IoT7000-UPS220-DG)



OVERVIEW

The IoT7000-UPS220-DG is a backup power for intelligent operation and maintenance boxes. It adopts a DIN rail structure and can be installed in a security monitoring box, power control box, traffic control box, and light pole control box. It can provide backup power output for the operation and maintenance terminal, switch, and ONU after the mains electricity is interrupted. The backup power supply provides two types of backup power outputs, DC12V and AC220V, which can meet the needs of various AC and DC power supply operations and maintenance terminals and switches. It uses supercapacitors as energy storage elements, which can automatically switch to the built-in UPS power supply at the moment of power failure, ensuring that the equipment sends the power outage information back to the monitoring center in time.

FEATURE

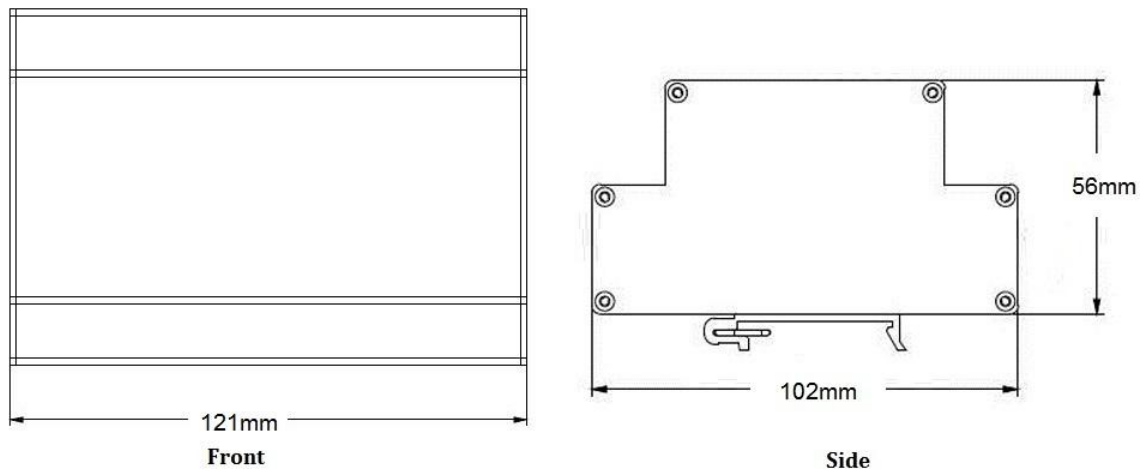
- ◇ 1*Power-off alarm signal interface.
- ◇ Support DIN Rail and wall-mounted installation.

- ◇ Two backup power outputs: DC12V and AC220V.
- ◇ Supercapacitor design, no need to replace batteries.
- ◇ Aluminum alloy shell, super heat dissipation, and sturdy and durable.

TECHNICAL SPECIFICATION

| Model | IoT7000-UPS220-DG |
|-------------------------------------|--|
| Power Input | |
| AC220V | Input voltage range: 90-264VAC, 47-63Hz Rated input voltage: 100-240VAC, 50-60Hz 1*AC220V input, 3P industrial terminal connection |
| Power Output | |
| AC220V | 1*AC220V/5A output, max load is 1100W, 2P industrial terminal connection |
| UPS Backup Power | 1*DC12V&AC220V UPS backup power output (backup duration 5S), max load 60W, 3P industrial terminal connection. |
| DC12V | 1*12V/5A output, max load is 70W, 2P terminal connection |
| Power-off Alarm | 1*Alarm signal output port (Normally low-level 0.3VDC, power-off high-level $\geq 3.3V$) |
| Physical Parameter | |
| Operation Temp/ Humidity | -40~+70°C, 5%~90% RH Non condensing |
| Storage Temp/ Humidity | -40~+85°C, 5%~95% RH Non condensing |
| MTBF | >100,000H |
| Dimension (L*W*H) | 121*102*56mm |
| Net /Gross Weight | <0.7kg/ <0.9kg |
| Installation | DIN Rail, Wall-mounted |
| Certification & Warranty | |
| Lightning Protection | Lightning protection: 6KV 8/20us, Protection level: IP40 |
| Certification | CCC, CE mark, commercial, CE/LVD EN62368-1, FCC Part 15 Class B, RoHS |
| Warranty | 5 years, lifelong maintenance |

DIMENSION



PACKING LIST

| | Content | Qty | Unit |
|--------------|---|-----|------|
| Packing List | Backup Power | 1 | Set |
| | User Guide | 1 | PC |
| | Warranty Card and Certificate of Conformity | 1 | PC |

CONTACT US

ONV Optical Network Video Technologies (Shenzhen) Co., Ltd.

Tel: 0086-755-33376606

Fax: 0086-755-33376608

Email: onv@onv.com.cn

Skype: onv@onv.com.cn

WeChat ID: ONV-PoE-IoT

Website: www.onvcom.com

Headquarter Address: Room 1003, Block D, Terra Building, Futian District, Shenzhen

Factory Address: Building B3, Galaxy Artificial Intelligence Industrial Park, No. 333, Zhongkai 6th Road, Chenjiang Street, Zhongkai High-tech Zone, Huizhou