

Product Datasheet

6-port 10/100M Industrial PoE Switch

(ONV-IPS1064P)



OVERVIEW

The ONV-IPS1064P is a 10/100M industrial PoE switch independently developed by ONV. It has 6*10/100M adaptive RJ45 ports. Port 1-4 can support IEEE 802.3 af/at PoE standard and single-port PoE power up to 30W. As a PoE power supply device, it can automatically detect and recognize the power-receiving equipment that meets the standard and supply power through the network cable. The network cable can supply power to PoE terminal devices such as wireless AP, IP cameras, and industrial sensors. It also meets the network environment that needs a high-density PoE power supply. It is suitable for intelligent transportation, rail transit, power industry, mining, petroleum, and sea transportation. Industrial scenes such as metallurgy and green energy, construction form a cost-effective, stable, and reliable communication network. Unmanaged mode, plug and play, no configuration, easy to use.

FEATURE

- 10/100M access

- ◇ Support non-blocking wire-speed forwarding.
- ◇ Support full-duplex based on IEEE 802.3x and half-duplex based on Backpressure.
- ◇ Support 10/100M PoE port and uplink RJ45 port combination, which enables users to flexibly build networking to meet the needs of various scenarios.

■ Smart PoE power supply

- ◇ Comply with IEEE 802.3 af/at PoE standard, automatically identify PoE devices for power supply, and not damage non-PoE devices.
- ◇ 4*10/100Base-TX RJ45 ports can support PoE power supply to meet the needs of PoE power supply in various scenarios in the industrial field.

■ Stable and reliable

- ◇ CCC, CE, FCC, RoHS.
- ◇ The user-friendly panel can show the device status through the LED indicator of PWR, Link, and PoE.
- ◇ Low power consumption, no fan, aluminum housing, and excellent heat dissipation to ensure the stable operation of the switch.

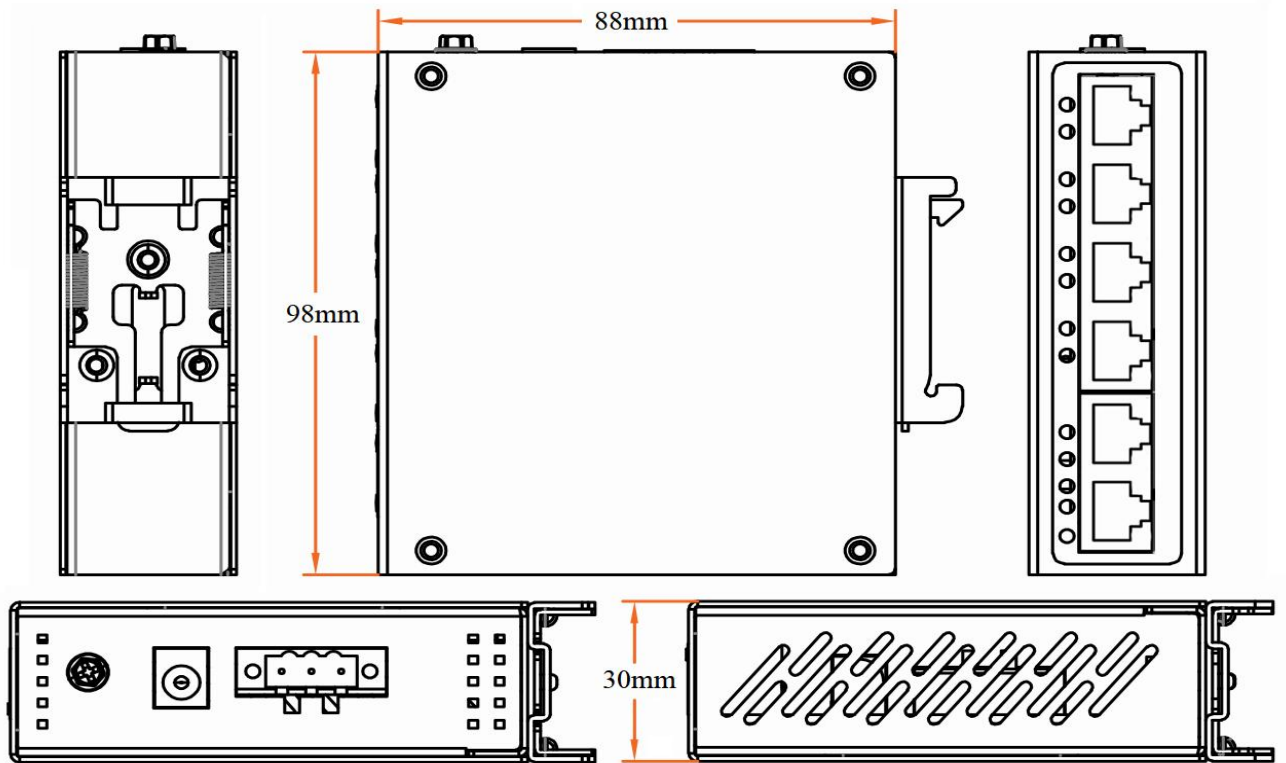
TECHNICAL SPECIFICATION

Model	ONV-IPS1064P
Interface Characteristics	
Fixed Port	2*10/100Base-TX RJ45 ports (Data) 4*10/100Base-TX PoE ports (Data/ Power)
Ethernet Port	Port 1-6 can support 10/100Base-T(X) auto-sensing, full/ half duplex MDI/ MDI-X self-adaption
Twisted Pair Transmission	10BASE-T: Cat3,4,5 UTP (≤100 meters) 100BASE-T: Cat5e or later UTP (≤100 meters)
Chip Parameter	
Network Protocol	IEEE 802.3 10BASE-T, IEEE 802.3i 10Base-T, IEEE 802.3u 100Base-TX,


	IEEE 802.3x
Forwarding Mode	Store and Forward (Full Wire Speed)
Switching Capacity	1.6Gbps (non-blocking)
Forwarding Rate@64byte	0.89Mpps
MAC	2K
Buffer Memory	768K
Jumbo Frame	2048bytes
LED Indicator	Power: PWR (Green), Network: Link (Green), PoE: PoE (Green)
PoE & Power Supply	
PoE Port	Port 1-4
Power Supply Pin	1/2(+) 3/6 (-)
Max Power Per Port	30W, IEEE 802.3 af/at
Power Consumption	Standby<3W, Full load af<60W, at<120W
Working Voltage	DC44-56V, 3P industrial terminal and DC jack, support anti-reverse protection
Power Supply	No, optional 48V/60W and 48V/120W industrial power supply
Physical Parameter	
Operation Temp/ Humidity	-40~+75°C, 5%~90% RH Non condensing
Storage Temp/ Humidity	-40~+85°C, 5%~95% RH Non condensing
Dimension (L*W*H)	98*88*30mm
Net /Gross Weight	0.25kg/ 0.35kg
Installation	Desktop, 35mm DIN Rail
Certification & Warranty	
Lightning Protection	Protection level: IP30
	Lightning protection: 6KV 8/20us
	IEC61000-4-3 (RS):10V/m (80~1000MHz)
	FCC Part 15/CISPR22 (EN55022): Class A
	IEC61000-6-2 (Common Industrial Standard)
	IEC61000-4-9 (Pulsed magnet field): 1000A/m
	IEC61000-4-10 (Damped oscillation): 30A/m, 1MHz

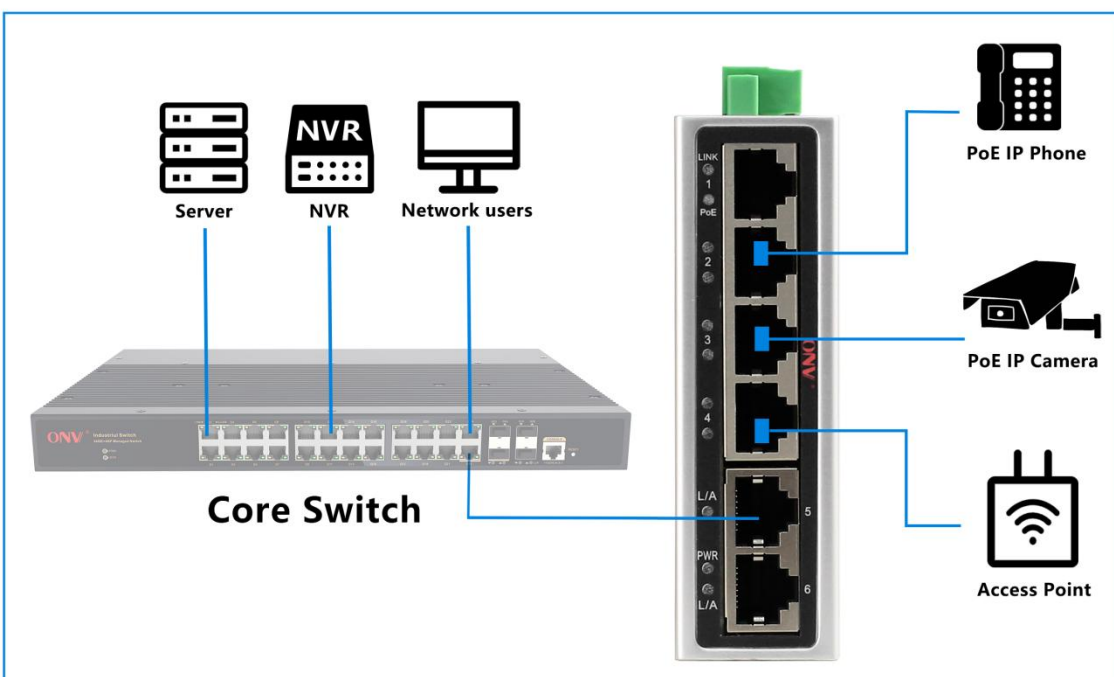
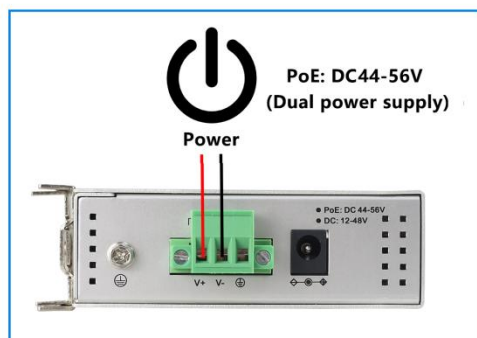
	<p>IEC61000-4-12/18 (Shockwave): CM 2.5kV, DM 1kV</p> <p>IEC61000-4-4(EFT): Power cable:±4kV, Data cable: ±2kV</p> <p>IEC61000-4-16 (Common-mode transmission): 30V, 300V, 1s</p> <p>IEC61000-4-2 (ESD): ±8kV contact discharge, ±15kV air discharge</p> <p>IEC61000-4-6 (Radio frequency transmission): 10V(150kHz~80MHz)</p> <p>IEC61000-4-8 (Power frequency magnetic field):100A/m, 1000A/m, 1s-3s</p> <p>IEC61000-4-5 (Surge): Power cable: CM±4kV/ DM±2kV, Data cable: ±4kV</p>
Mechanical Properties	IEC60068-2-6 (Anti Vibration), IEC60068-2-32 (Free Fall), IEC60068-2-27 (Anti Shock)
Certification	CCC, CE mark, commercial, CE/LVD EN62368-1, FCC Part 15 Class A, RoHS
Warranty	5 years, lifelong maintenance.

DIMENSION



APPLICATION

-  **Plug and play**
-  **Wide temperature range**
-  **DIN Rail installation**



ORDERING INFORMATION

Model	Description	Recommended Power Supply
ONV-IPS1064P	Unmanaged industrial PoE switch with 6*10/100M RJ45 ports. Port 1-4 can support IEEE 802.3 af/at PoE standard. It can support dual DC power input and DIN rail mounting.	60W/120W

Note: The power supply is not included and needs to be purchased.

PACKING LIST

Packing List	Content	Qty	Unit
	6-port 10/100M industrial PoE switch	1	Set
	User Guide	1	PC
	Warranty Card and Certificate of Conformity	1	PC

POWER SUPPLY

Product	Model	Description	Unit
65W Desktop Power Adapter	GWS-AP65-52	Desktop 65W single set of output power adapter Input Voltage: AC100V~240V 50-60Hz, 1.1A Output Voltage: DC52V, 1.25A Operation Temperature: -20°C to +65°C	PC
110W Desktop Power Adapter	GWS-AP110-52	Desktop 110W single set of output power adapter Input Voltage: AC100V~240V 50-60Hz, 2.0A Output Voltage: DC52V, 2.15A Operation Temperature: -20°C to +65°C	PC
60W DIN Rail Industrial Power Supply	GWS-DP60-48	DIN Rail 60W single set of output power supply Input Voltage: AC100V~240V 50-60Hz, 1.0A Output Voltage: DC48V, 1.25A Operation Temperature: -40°C to +70°C	PC
120W DIN Rail Industrial Power Supply	GWS-DP120-48	DIN Rail 120W single set of output power supply Input Voltage: AC100V~240V 50-60Hz, 2.3A Output Voltage: DC48V, 2.5A Operation Temperature: -40°C to +70°C	PC

CONTACT US

ONV Optical Network Video Technologies (Shenzhen) Co., Ltd.

Tel: 0086-755-33376606

Fax: 0086-755-33376608

Email: onv@onv.com.cn

Skype: onv@onv.com.cn

WeChat ID: ONV-PoE-IoT

Website: www.onvcom.com

Headquarter Address: Room 1003, Block D, Terra Building, Futian District, Shenzhen

Factory Address: Building B3, Galaxy Artificial Intelligence Industrial Park, No. 333, Zhongkai 6th Road, Chenjiang Street, Zhongkai High-tech Zone, Huizhou

