

Product Datasheet

6-port Gigabit Easy Managed Industrial PoE Switch (ONV-IPS5064PFM)



OVERVIEW

The ONV-IPS5064PFM is a Gigabit Easy managed industrial PoE fiber switch independently developed by ONV. It has 4*10/100/1000Base-T adaptive RJ45 ports and 2*100/1000Base-X uplink SFP fiber ports. Port 1-4 can support IEEE 802.3 af/at PoE standard and single-port PoE power up to 30W. As a PoE power supply device can automatically detect and recognize the power-receiving equipment that meets the standard and supplies power through the network cable. It can supply power to PoE terminal equipment such as wireless AP, IP cameras, VoIP phones, and industrial sensors through network cables, and meet the network environment that needs a high-density PoE power supply. It is suitable for intelligent transportation, rail transit, electric power, mining, metallurgy and green energy, and industrial scenes such as construction to set up a cost-effective and stable communication network.

The ONV-IPS5064PFM can support the ONV-NMS management cloud platform and

mobile APP operation and maintenance management, which can realize network topology management, link aggregation, port management, PoE management, remote operation and maintenance, etc. It has high reliability, easy installation and maintenance, a fast switching function, and multiple access ports, suitable for access to LAN devices of various sizes.

FEATURE

■ Gigabit access, uplink SFP fiber port

- ◇ Support non-blocking wire-speed forwarding.
- ◇ Support full-duplex based on IEEE 802.3x and half-duplex based on Backpressure.
- ◇ Support Gigabit RJ45 port and SFP port combination, which enables users to flexibly build networking to meet the needs of various scenarios.

■ Smart PoE power supply

- ◇ Comply with IEEE 802.3 af/at PoE standard, automatically identify PoE devices for power supply, and not damage non-PoE devices.
- ◇ Support remote PoE management function, realize remote power on/off of PoE port, check port power status, query PoE port fault, etc.
- ◇ 4*10/100/1000Base-T RJ45 ports can support PoE power to meet the needs of security monitoring, teleconferencing system, wireless coverage, and other scenarios.

■ Extreme Optimization, minimalist application

- ◇ Real-time fault alarm and fault location.
- ◇ Remote upgrade, remote restart, and factory reset.
- ◇ Local platform, cloud platform, and mobile APP operation and maintenance management.
- ◇ Visualized network topology management, VLAN division, QoS, link aggregation, ring network management, port mirroring, port control, and bandwidth management.
- ◇ According to industry application requirements, complex network management configurations are discarded, practical network management functions are retained,

and network deployment and centralized operation and maintenance can be quickly realized through the operation and maintenance platform.

■ Stable and reliable

- ◇ CCC, CE, FCC, RoHS.
- ◇ The user-friendly panel can show the device status through the LED indicator of PWR, Link, and PoE.
- ◇ Low power consumption, aluminum alloy housing, and excellent heat dissipation to ensure the stable operation of the switch.

TECHNICAL SPECIFICATION

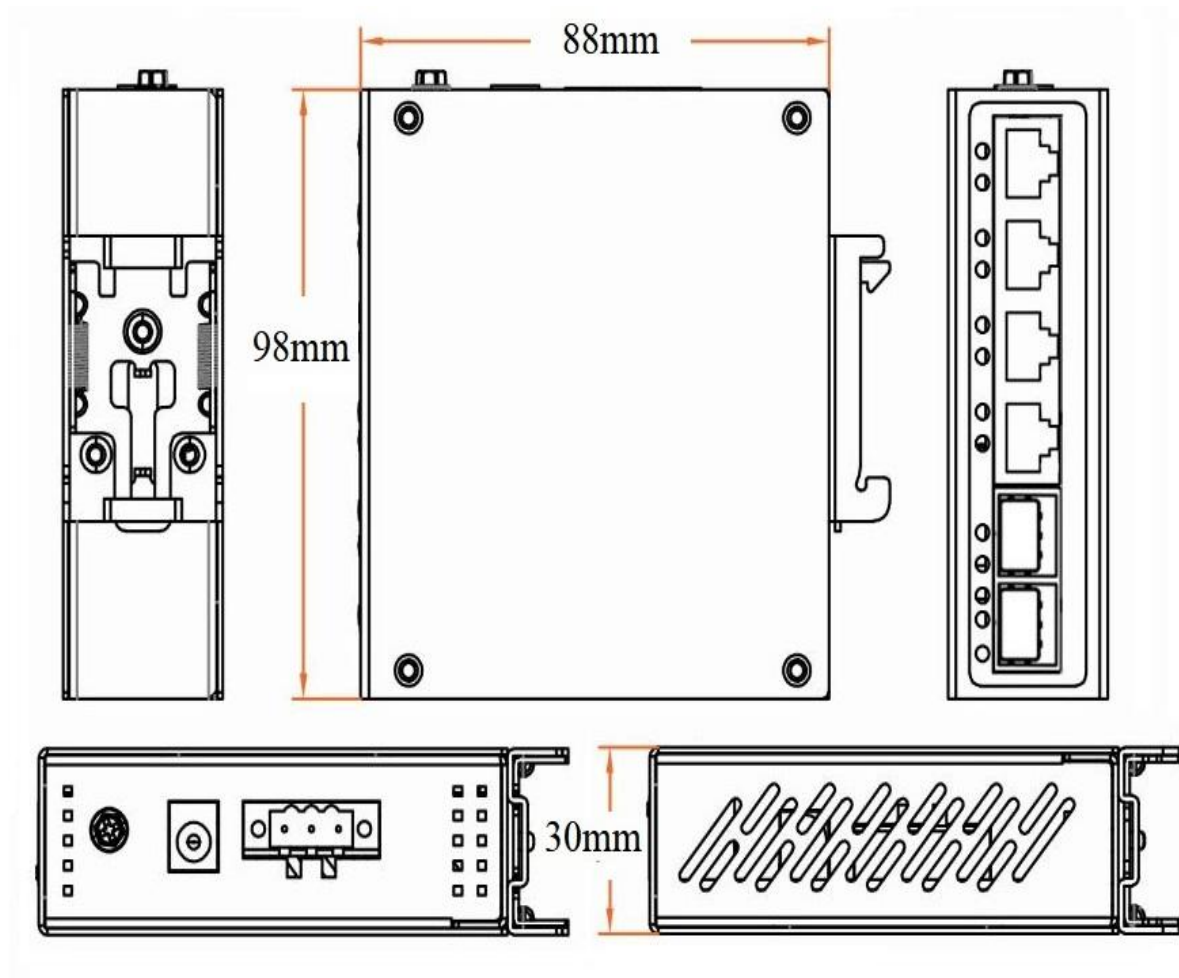
Model	ONV-IPS5064PFM
Interface Characteristics	
Fixed Port	4*10/100/1000Base-T PoE ports (Data/ Power) 2*100/1000Base-X uplink SFP fiber ports (Data)
Ethernet Port	Port G1-G4 can support 10/100/1000Base-T(X) auto-sensing, full/ half duplex MDI/ MDI-X self-adaption
Twisted Pair Transmission	10BASE-T: Cat3,4,5 UTP (≤100 meters) 100BASE-TX: Cat5 or later UTP (≤100 meters) 1000BASE-T: Cat5e or later UTP (≤100 meters)
Optical Fiber Port	Gigabit optical fiber interface, default no included optical module (optional single-mode/ multi-mode, single fiber/ dual fiber optical module. LC)
Optical Cable/ Distance	Multi-mode: 850nm/ 0-500m, Single-mode: 1310nm/ 0-40km, 1550nm/ 0-120km.
Chip Parameter	
Network Protocol	IEEE 802.3 10BASE-T, IEEE 802.3i 10Base-T, IEEE 802.3u 100Base-TX, IEEE 802.3ab 1000Base-T, IEEE 802.3z 1000Base-X, IEEE 802.3x
Forwarding Mode	Store and Forward (Full wire-speed)
Switching Capacity	12Gbps (non-blocking)

Forwarding Rate@64byte	8.93Mpps
MAC	2K
Buffer Memory	2M
Jumbo Frame	9.2K
LED Indicator	Power: PWR (Green), Network: Link (Yellow), PoE: PoE G1-G4 (Green), Fiber port: G5-G6 (Green)
Reset Switch	Press and hold for 6 seconds and release to restore the factory settings. Short press 2 times (1 second interval) to switch to the unmanaged state
PoE&Power Supply	
PoE Port	Port G1-G4
PoE Management	Remote on/off of PoE port, port power, and real-time status viewing
Power Supply Pin	1/2 (+) 3/6 (-)
Max Power Per Port	30W, IEEE 802.3 af/at
Power Consumption	Standby<6W, Full load af<60W, at<120W
Input Voltage/ Interface	DC44-56V, 3P industrial terminal and DC power jack, support anti-reverse protection.
Power Supply	No, optional 48V/60W or 48V/120W industrial power supply
Physical Parameter	
Operation Temp/ Humidity	-40~+75°C, 5%~90% RH Non condensing
Storage Temp/ Humidity	-40~+85°C, 5%~95% RH Non condensing
Dimension (L*W*H)	98*88*30mm
Net /Gross Weight	0.25kg/ 0.35kg
Installation	Desktop, 35mm DIN Rail
Certification & Warranty	
Lightning Protection	Protection level: IP30 Lightning protection: 6KV 8/20us IEC61000-4-3 (RS):10V/m (80~1000MHz) FCC Part 15/CISPR22 (EN55022): Class A IEC61000-6-2 (Common Industrial Standard)

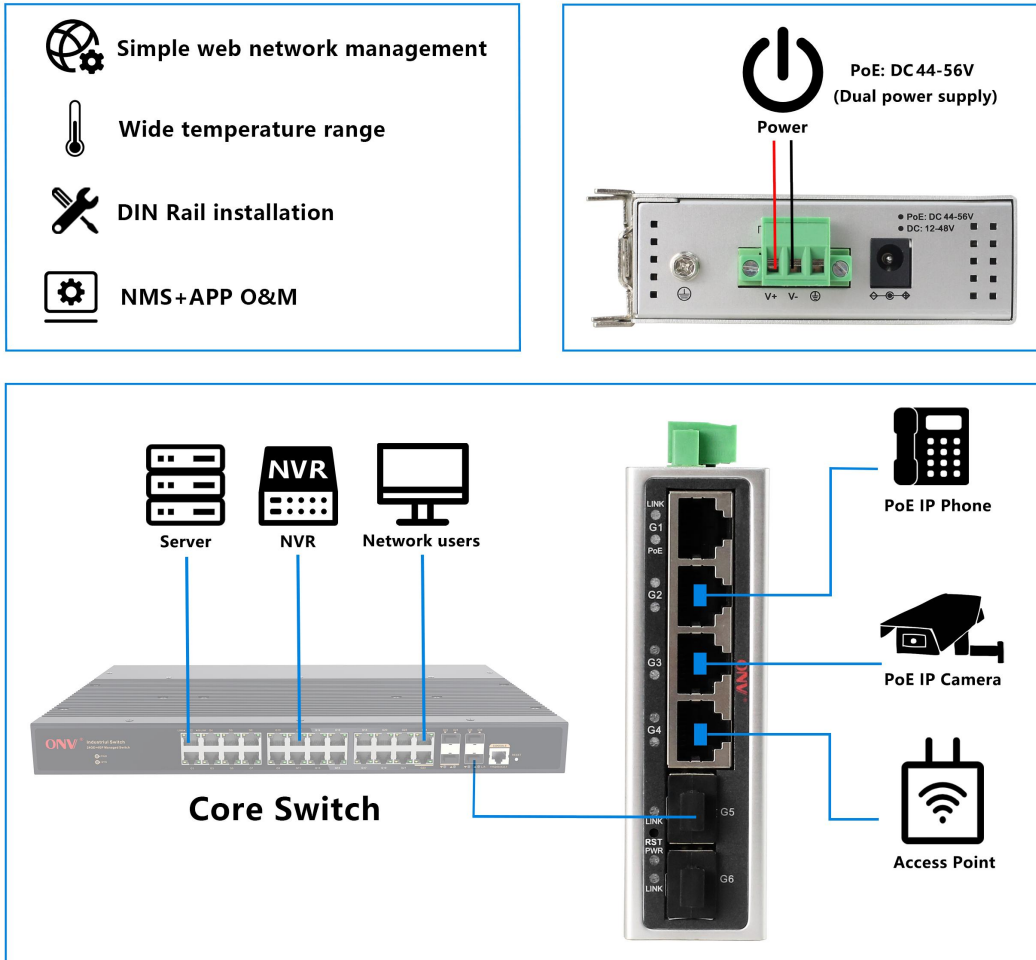
	IEC61000-4-9 (Pulsed magnet field):1000A/m IEC61000-4-10 (Damped oscillation): 30A/m, 1MHz IEC61000-4-12/18 (Shockwave): CM 2.5kV, DM 1kV IEC61000-4-4(EFT): Power cable:±4kV, Data cable: ±2kV IEC61000-4-16 (Common-mode transmission): 30V, 300V, 1s IEC61000-4-2 (ESD): ±8kV contact discharge, ±15kV air discharge IEC61000-4-6 (Radio frequency transmission): 10V(150kHz~80MHz) IEC61000-4-8 (Power frequency magnetic field):100A/m, 1000A/m,1s-3s IEC61000-4-5 (Surge): Power cable: CM±4kV/ DM±2kV, Data cable: ±4kV
Mechanical Properties	IEC60068-2-6 (Anti Vibration), IEC60068-2-32 (Free Fall), IEC60068-2-27 (Anti Shock)
Certification	CCC, CE mark, commercial, CE/LVD EN62368-1, FCC Part 15 Class A, RoHS
Warranty	5 years, lifelong maintenance.
Network Management Feature	
Interface	EEE Energy-saving and green Ethernet function Port traffic statistics, IEEE 802.3x flow control (Full-duplex) Port status display, Port duplex/ negotiation rate configuration
VLAN	Port-based IEEE802.1Q VLAN configuration (4K)
Port Aggregation	Static aggregation
Loop Protection	Loop protection function
Multicast	IGMP Snooping v1/v2, Max 256 multicast groups
Port Mirroring	Bidirectional data mirroring based on port
QoS	Diff-Serv QoS, Priority Mark/ Remark 8*Output queues of each port, 802.1p/DSCP priority mapping
Security	Broadcast storm control, Port isolation, Port speed limit
DHCP	DHCP Snooping
Management	ONV-NMS Cloud platform management Mobile APP operation and maintenance management

	One-key recovery, Cable Diagnose, Web Management (https)
System	Web browser: Mozilla Firefox 2.5 or higher, Google Chrome V42 or higher, Cat5 and above Ethernet cable TCP/IP, network adapter, and network operating system (such as Microsoft Windows, Linux, Mac OS X) installed on each computer in the network Cat5 and above Ethernet cable

DIMENSION



APPLICATION



ORDERING INFORMATION

Model	Description	Recommended Power Supply
ONV-IPS5064PFM	Easy managed industrial PoE switch with 2*100/1000M uplink SFP fiber ports and 4*10/100/1000M RJ45 ports. Port 1-4 can support IEEE 802.3 af/at PoE standard. It can support dual DC redundant power input (DC power jack and 3P Phoenix terminal connection) and DIN rail mounting.	60W/120W

Note: The optical module and power supply are not included and need to be purchased.

PACKING LIST

Packing List	Content	Qty	Unit
	6-port Gigabit Easy managed industrial PoE switch	1	Set
	User Guide	1	PC
	Warranty Card and Certificate of Conformity	1	PC

OPTICAL MODULE

Product	Model	Description	Unit
1.25G Optical Module	2630-G	Industrial optical module, 1.25G multi-mode dual fiber 850nm, transmission distance: 550m, LC interface, supports DDM function and hot plugging.	PC
	2632-G	Industrial optical module, 1.25G single-mode dual fiber 1310nm, transmission distance: 20km, LC interface, supports DDM function and hot plugging.	PC
	2612-T-G	Industrial optical module, 1.25G single-mode single fiber TX1310nm/ RX1550nm, transmission distance: 20km, LC interface, supports DDM function and hot plugging.	PC
	2613-R-G	Industrial optical module, 1.25G single-mode single fiber TX1550nm/ RX1310nm, transmission distance: 20km, LC interface, supports DDM function and hot plugging.	PC
	2612-T-SC-G	Industrial optical module, 1.25G single-mode single fiber TX1310nm/ RX1550nm, transmission distance: 20km, SC interface, supports DDM function and hot plugging.	PC
	2613-R-SC-G	Industrial optical module, 1.25G single-mode single fiber TX1550nm/ RX1310nm, transmission distance: 20km, SC interface, supports DDM function and hot plugging.	PC

POWER SUPPLY

Product	Model	Description	Unit
60W DIN Rail Industrial Power Supply	GWS-DP60-48	DIN Rail 60W single set of output power supply Input Voltage: AC100V~240V 50-60Hz, 1.0A Output Voltage: DC48V, 1.25A Operation Temperature: -40°C to +70°C	PC
120W DIN Rail Industrial Power Supply	GWS-DP120-48	DIN Rail 120W single set of output power supply Input Voltage: AC100V~240V 50-60Hz, 2.3A Output Voltage: DC48V, 2.5A Operation Temperature: -40°C to +70°C	PC

CONTACT US



Optical Network Video Technologies (Shenzhen) Co., Ltd.

Tel: 0086-755-33376606

Fax: 0086-755-33376608

Email: onv@onv.com.cn

Skype: onv@onv.com.cn

WeChat ID: ONV-PoE-IoT

Website: www.onvcom.com

Headquarter Address: Room 1003, Block D, Terra Building, Futian District, Shenzhen

Factory Address: Building B3, Galaxy Artificial Intelligence Industrial Park, No. 333,

Zhongkai 6th Road, Chenjiang Street, Zhongkai High-tech Zone, Huizhou

