

Product Datasheet

6-port Gigabit Industrial PoE Switch

(ONV-IPS33064P)



OVERVIEW

The ONV-IPS33064P is a Gigabit industrial PoE switch independently developed by ONV. It has 6*10/100/1000M adaptive RJ45 ports. Port 1-4 can support IEEE 802.3 af/at PoE standard and the single-port PoE power up to 30W. As a PoE power supply device, it can automatically detect and identify the power-receiving devices that meet the standards and power them through the network cable. It can power wireless AP, IP cameras, industrial sensors, and other PoE terminal devices through the network cable to meet the network environment that requires a high-density PoE power supply. It is suitable for industrial scenarios such as intelligent transportation, rail transportation, power industry, mining, petroleum, shipping, metallurgy, and green energy to build an economical, efficient, stable, and reliable communication network. Unmanaged mode, plug and play, no configuration, simple and convenient to use.

FEATURE

- **Gigabit wire speed forwarding**
- ◇ Support non-blocking wire-speed forwarding.

- ◇ Support full-duplex based on IEEE802.3x and half-duplex based on Backpressure.
- ◇ Support Gigabit RJ45 ports, high speed and high bandwidth connection to meet the needs of various scenarios.

■ Smart PoE power supply

- ◇ Comply with IEEE 802.3 af/at PoE standard, automatically identify PoE devices for power supply, and not damage non-PoE devices.
- ◇ 4*10/100/1000Base-T RJ45 ports can support PoE power supply to meet the needs of PoE power supply in various scenarios in the industrial field.
- ◇ Priority system for PoE port will supply power to the high priority level port first when the power budget is insufficient and avoid overwork of the device.

■ Stable and reliable

- ◇ CCC, CE, FCC, RoHS.
- ◇ The user-friendly panel can show the device status through the LED indicator of PWR, Link, and PoE.
- ◇ Low power consumption, aluminum alloy housing, and excellent heat dissipation to ensure stable operation of the switch.

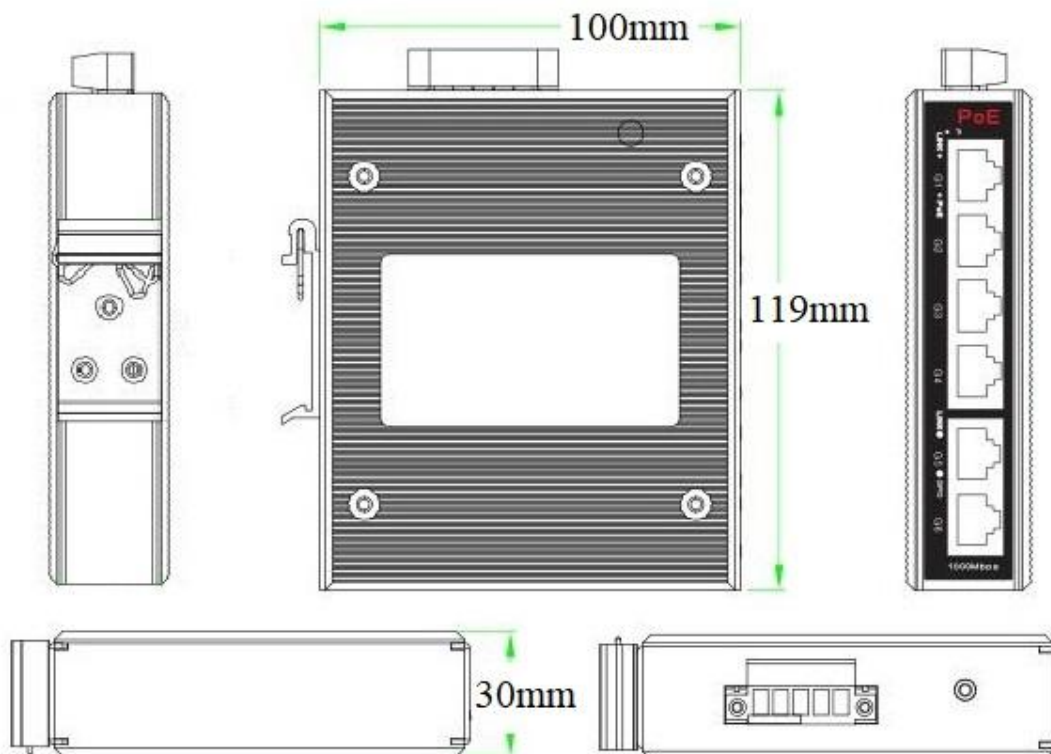
TECHNICAL SPECIFICATION

Model	ONV-IPS33064P
Interface Characteristics	
Fixed Port	4*10/100/1000Base-T PoE ports (Data/Power) 2*10/100/1000Base-T uplink RJ45 ports(Data) 2 set V+, V- redundant DC power port (5P industrial Phoenix terminal)
Ethernet Port	Port 1-6 can support 10/100/1000Base-T(X) auto-sensing, full/ half duplex MDI/ MDI-X self-adaption
Twisted Pair Transmission	10BASE-T: Cat3,4,5 UTP (≤100 meters) 100BASE-TX: Cat5 or later UTP (≤100 meters)

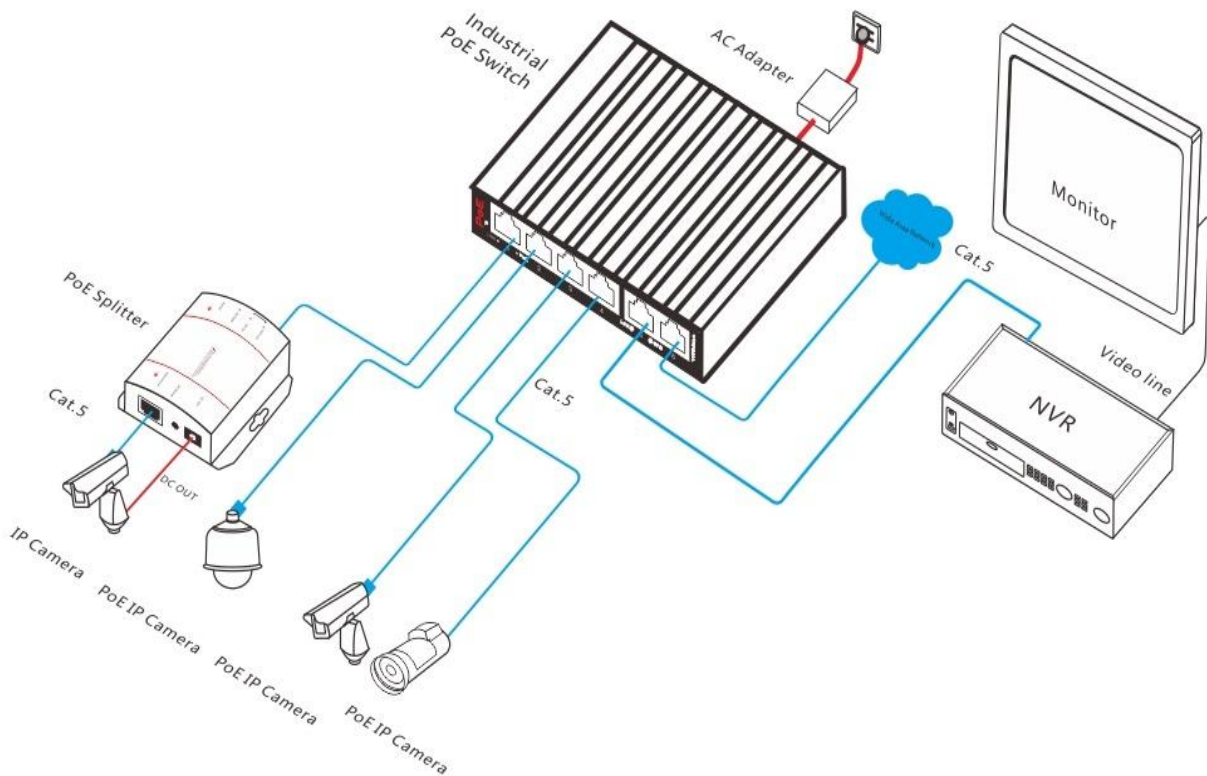
	1000BASE-T: Cat5e or later UTP (≤100 meters)
Chip Parameter	
Network Protocol	IEEE 802.3 10BASE-T, IEEE 802.3i 10Base-T, IEEE 802.3u 100Base-TX, IEEE 802.3ab 1000Base-T, IEEE 802.3x
Forwarding Mode	Store and Forward (Full Wire Speed)
Switching Capacity	12Gbps (non-blocking)
Forwarding Rate@64byte	8.93Mpps
MAC	2K
Buffer Memory	2M
Jumbo Frame	9.2K
LED Indicator	POE: PoE (Green), Speed: SPD (Green), Power: PWR (Green), Network: Link (Yellow)
PoE& Power Supply	
PoE Port	Port 1-4
Power Supply Pin	1/2(+) 3/6 (-)
Max Power Per Port	30W, IEEE 802.3 af/at
Power Consumption	Standby<5W, Full load af<60W, at<120W
Input Voltage/ Interface	DC48-57V, 5P industrial Phoenix terminal, support anti-reverse protection.
Power Supply	No, optional 48V/60W or 48V/120W industrial power supply
Physical Parameter	
Operation Temp/ Humidity	-40~+80°C, 5%~90% RH Non condensing
Storage Temp/ Humidity	-40~+85°C, 5%~95% RH Non condensing
Dimension	119*100*30mm
Net /Gross Weight	0.4kg/ 0.5 kg
Installation	Desktop, 35mm DIN Rail
Certification & Warranty	
Lightning Protection	IEC61000-4-3 (RS):10V/m (80~1000MHz) FCC Part 15/CISPR22 (EN55022): Class A IEC61000-6-2 (Common Industrial Standard)

	<p>IEC61000-4-9 (Pulsed magnet field): 1000A/m</p> <p>IEC61000-4-10 (Damped oscillation): 30A/m 1MHz</p> <p>IEC61000-4-12/18 (Shockwave): CM2.5kV, DM1kV</p> <p>Protection level: IP40, Lightning protection: 6KV 8/20us</p> <p>IEC61000-4-4(EFT): Power cable: $\pm 4kV$, data cable: $\pm 2kV$</p> <p>IEC61000-4-16 (Common-mode transmission): 30V, 300V, 1s</p> <p>IEC61000-4-2 (ESD): $\pm 8kV$ contact discharge, $\pm 15kV$ air discharge</p> <p>IEC61000-4-6 (Radio frequency transmission): 10V(150kHz~80MHz)</p> <p>IEC61000-4-8 (Power frequency magnetic field): 100A/m, 1000A/m, 1s-3s</p> <p>IEC61000-4-5 (Surge): Power cable: CM$\pm 4kV$/ DM$\pm 2kV$, data cable: $\pm 4kV$</p>
Mechanical Properties	IEC60068-2-6 (Anti Vibration), IEC60068-2-27 (Anti Shock), IEC60068-2-32 (Free Fall)
Certification	CE mark, commercial, CE/LVD EN62368-1, FCC Part 15 Class A, RoHS
Warranty	5 years, lifelong maintenance.

DIMENSION



APPLICATION



ORDERING INFORMATION

Model	Description	Recommended Power Supply
ONV-IPS33064P	Unmanaged industrial PoE switch with 6*10/100/1000M RJ45 ports. Port 1-4 can support IEEE 802.3 af/at PoE standard. It can support dual DC redundant power input (Phoenix terminal connection) and DIN rail mounting.	60W/120W

Note: The power supply is not included and needs to be purchased.

PACKING LIST

	Content	Qty	Unit
Packing List	6-port Gigabit industrial PoE switch	1	Set
	User Guide	1	PC
	Warranty Card and Certificate of Conformity	1	PC

POWER SUPPLY

Product	Model	Description	Unit
60W DIN Rail Industrial Power Supply	GWS-DP60-48	DIN Rail 60W single set of output power supply Input Voltage: AC100V~240V 50-60Hz, 1.0A Output Voltage: DC48V, 1.25A Operation Temperature:-40°C to +70°C	PC
120W DIN Rail Industrial Power Supply	GWS-DP120-48	DIN Rail 120W single set of output power supply Input Voltage: AC100V~240V 50-60Hz, 2.3A Output Voltage: DC48V, 2.5A Operation Temperature:-40°C to +70°C	PC

RELATED PRODUCT

Model	Description
ONV-IPS33064PF	Unmanaged industrial PoE fiber switch with 4*10/100/1000M RJ45 ports and 2*1000M uplink SFP fiber ports. Port 1-4 can support dual DC redundant power input (Phoenix terminal connection) and DIN rail mounting.
ONV-IPS33064PFG	Unmanaged industrial PoE fiber switch with 5*10/100/1000M RJ45 ports and 1*1000M uplink SFP fiber port. Port 1-4 can support dual DC redundant power input (Phoenix terminal connection) and DIN rail mounting.

ONV-IPS33108P	Unmanaged industrial PoE switch with 10*10/100/1000M RJ45 ports, Port 1-8 can support dual DC redundant power input (Phoenix terminal connection) and DIN rail mounting.
ONV-IPS33108PF	Unmanaged industrial PoE fiber switch with 8*10/100/1000M RJ45 ports and 2*1000M uplink SFP fiber ports. Port 1-8 can support dual DC redundant power input (Phoenix terminal connection) and DIN rail mounting.
ONV-IPS33128PF	Unmanaged industrial PoE fiber switch with 10*10/100/1000M RJ45 ports and 2*1000M uplink SFP fiber ports. Port 1-8 can support dual DC redundant power input (Phoenix terminal connection) and DIN rail mounting.

CONTACT US

ONV Optical Network Video Technologies (Shenzhen) Co., Ltd.

Tel: 0086-755-33376606

Fax: 0086-755-33376608

Email: onv@onv.com.cn

Skype: onv@onv.com.cn

WeChat ID: ONV-PoE-IoT

Website: www.onvcom.com

Headquarter Address: Room 1003, Block D, Terra Building, Futian District, Shenzhen

Factory Address: Building B3, Galaxy Artificial Intelligence Industrial Park, No. 333, Zhongkai 6th Road, Chenjiang Street, Zhongkai High-tech Zone, Huizhou

