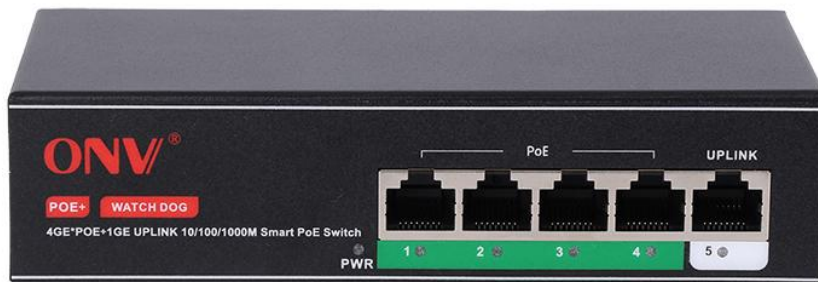


Product Datasheet

5-port Gigabit Smart PoE Switch

(ONV-H3054PS)



OVERVIEW

The ONV-H3054PS is a smart PoE switch. It has 4*10/100/1000M RJ45 ports and 1*10/100/1000M uplink RJ45 port. Port 1-4 can support IEEE802.3af/at PoE standard and single-port PoE power up to 30W. PoE port can support the watchdog servo function. When the port communication fails, the corresponding port PoE will automatically restart and restore network communication. PoE power supply has a delayed start function. The port power supply is turned on in sequence (within 2 seconds) to prevent the load from starting up with excessive current, and the power supply causes power overload protection. As a PoE power supply device, it can automatically detect and identify the power-receiving device that meets the standard and power it through the network cable. It can power wireless AP, IP camera, VoIP, video access control intercom, and other PoE terminal devices through the network cable to meet the network environment that requires a high-density PoE power supply. It is suitable for small and medium-sized enterprises such as hotels, campuses, parks, banks, hospitals, and factories to build economical and efficient networks. Unmanaged mode, plug and play, no configuration, simple and convenient to use.

FEATURE

■ Gigabit access

- ◇ Support non-blocking wire-speed forwarding.
- ◇ Support full-duplex based on IEEE802.3x and half-duplex based on Backpressure.
- ◇ Provide 5*10/100/1000Base-T RJ45 ports that allow users to flexibly network to meet the networking requirements of various scenarios.

■ Smart PoE power supply

- ◇ 5*10/100/1000Base-T RJ45 ports support PoE power to meet the needs of PoE power in various scenarios in the security field.
- ◇ Comply with IEEE802.3af/at PoE standard, automatically identify PoE devices for power supply, and not damage non-PoE devices.
- ◇ PoE port can support the watchdog function, which can automatically detect the data communication status in real time. When the port load crashes, the corresponding port PoE will automatically restart and repair the network communication.
- ◇ PoE port has a delayed startup function. The ports start completely within 2 seconds from left to right (the first port) to prevent the instantaneous unified power supply from causing instantaneous overload and power overload protection. It effectively solves the problem of power overload protection caused by capacitive load or large power required at startup.

■ Stable and reliable

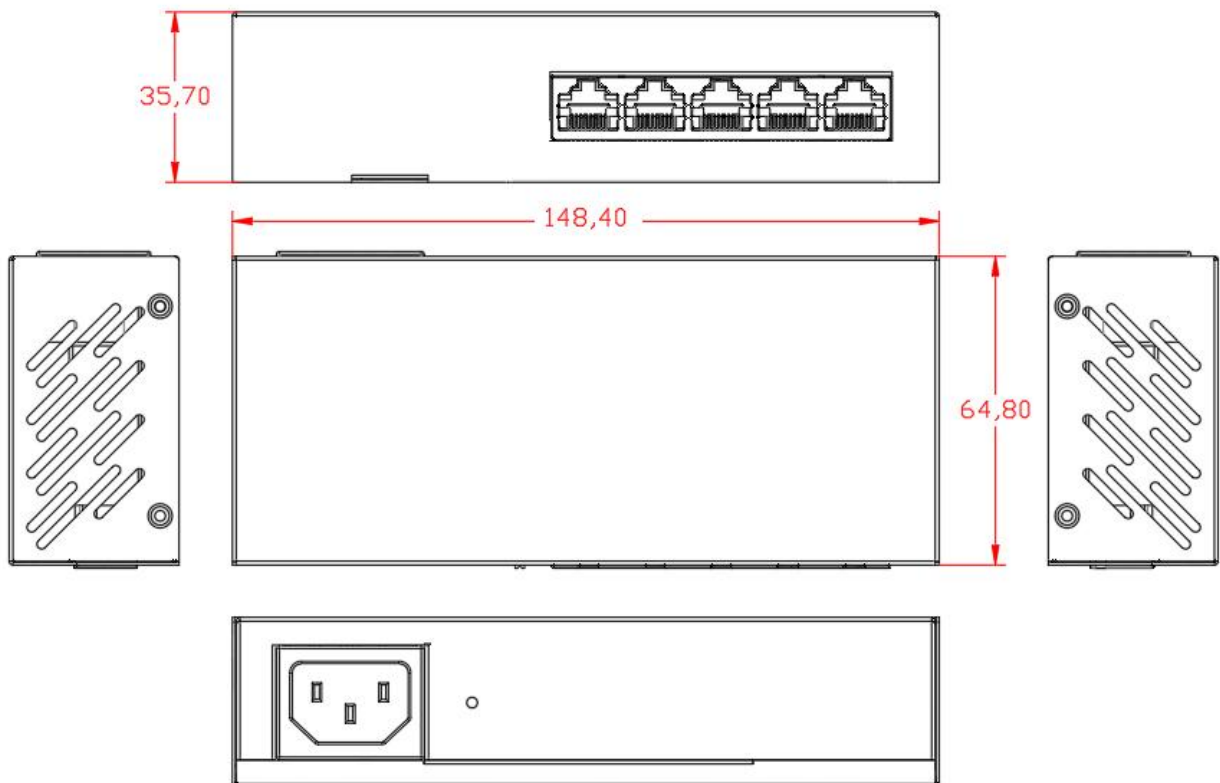
- ◇ CE, FCC, RoHS.
- ◇ Plug and play, no configuration, easy to use and maintain.
- ◇ The user-friendly panel can show the device status through the LED indicator of P and Link.
- ◇ Low power consumption, galvanized steel casing, with ventilation holes, and excellent heat dissipation ensure stable operation of the switch.

TECHNICAL SPECIFICATION

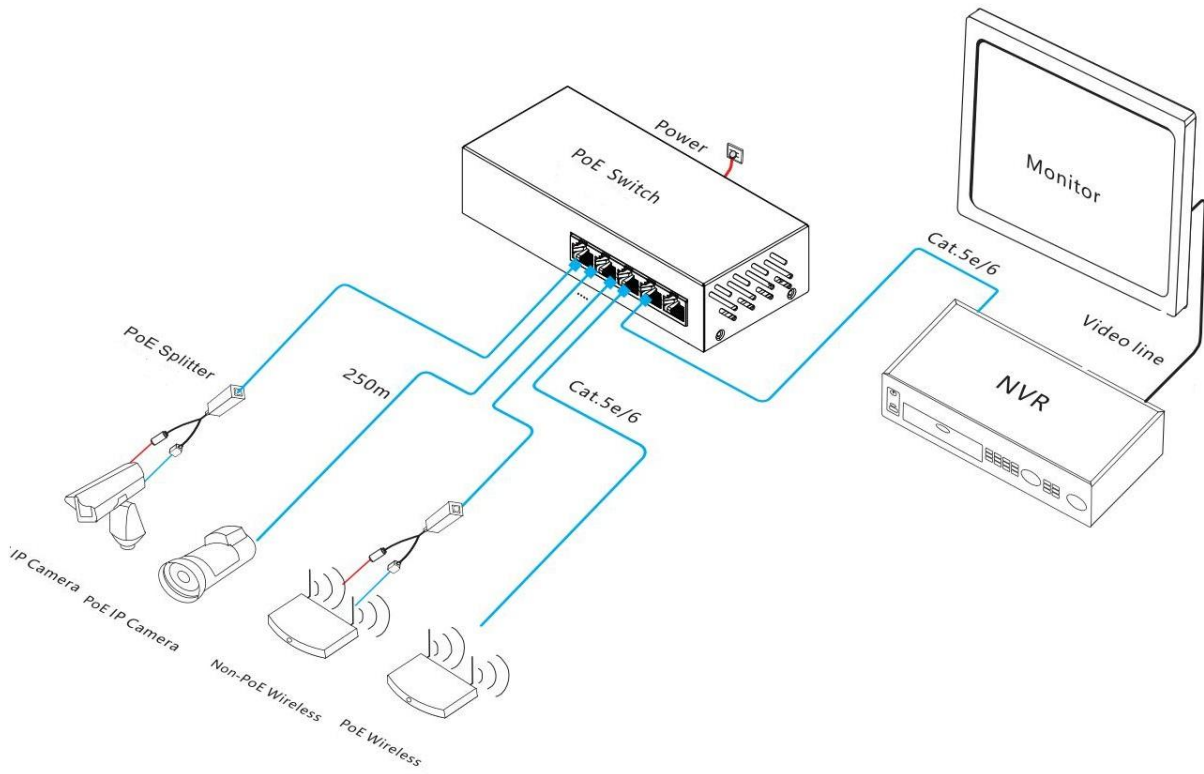
Model	ONV-H3054PS
Interface Characteristics	
Fixed Port	4*10/100/1000Base-T PoE ports (Data /Power) 1*10/100/1000Base-T uplink RJ45 port (Data)
Ethernet Port	Port 1-5 can support 10/100/1000Base-T(X) auto-sensing, full/ half duplex MDI/ MDI-X self-adaption
Twisted Pair Transmission	10BASE-T: Cat3,4,5 UTP (≤100 meters) 100BASE-TX: Cat5 or later UTP (≤100 meters) 1000BASE-T: Cat5e or later UTP (≤100 meters)
Chip Parameter	
Network Protocol	IEEE802.3 10BASE-T, IEEE802.3i 10Base-T, IEEE802.3u 100Base-TX, IEEE802.3ab 1000Base-T, IEEE802.3x
Forwarding Mode	Store and forward (Full wire speed)
Switching Capacity	10Gbps (non-blocking)
Forwarding Rate@64byte	7.44Mpps
MAC	2K
Buffer Memory	1M
Jumbo Frame	16K
LED Indicator	Power: PWR (Green), Network: Link (Green)
PoE& Power Supply	
PoE Port	Port 1-4
Power Supply Pin	1/2(+) 3/6(-)
Max Power Per Port	30W, IEEE802.3af/at
Total PWR/ Input Voltage	65W/ (AC160-240V)
Power Consumption	Standby<4W, full load<60W
Power Supply	Built-in power supply, AC160-240V 50-60Hz, 1.0A
Physical Parameter	

Operation Temp/ Humidity	-20~+50°C, 5%~90% RH non condensing
Storage Temp/ Humidity	-40~+75°C, 5%~95% RH non condensing
Dimension (L*W*H)	148.4*64.8*35.7mm
Net /Gross Weight	0.32kg/ 0.48kg
Installation	Desktop, Wall mount
Certification& Warranty	
Lightning Protection	Lightning protection: 4KV 8/20us, Protection level: IP30
Certification	CE mark, commercial, CE/LVD EN62368-1, FCC Part 15, RoHS
Warranty	1 year, lifelong maintenance.

DIMENSION



APPLICATION



ORDERING INFORMATION

Model	Description	Built-in Power Supply
ONV-H3054PS	Smart PoE switch with 5*10/100/1000M RJ45 ports. Port 1-4 can support IEEE802.3af/at PoE standard. It has watchdog function and delayed start function. Built-in power supply.	65W

PACKING LIST

	Content	Qty	Unit
Packing List	5-port Gigabit smart PoE switch	1	Set
	AC Power Cable	1	PC
	User Guide	1	PC
	Warranty Card and Certificate of Conformity	1	PC

CONTACT US

ONV Optical Network Video Technologies (Shenzhen) Co., Ltd.

Tel: 0086-755-33376606

Fax: 0086-755-33376608

WeChat: ONV-PoE-IoT

Email: onv@onv.com.cn

Skype: onv@onv.com.cn

Teams: onv@onv.com.cn

Website: www.onvcom.com

Headquarter Address: Room 1003, Block D, Terra Building, Futian District, Shenzhen

Factory Address: Building B3, Galaxy Artificial Intelligence Industrial Park, No. 333, Zhongkai 6th Road, Chenjiang Street, Zhongkai High-tech Zone, Huizhou

