

Product Datasheet

7-port Gigabit PoE Switch

(ONV-H3064PFD-1BT)



OVERVIEW

The ONV-H3064PFD-1BT is a Gigabit PoE fiber switch independently developed by ONV. It has 6*10/100/1000Base-T RJ45 ports and 1*1000Base-X uplink SFP fiber port. Port 1 supports PoE++ power supply, with a single-port PoE power of up to 60W and backward compatibility. Port 2-4 supports PoE+ power supply, with a single-port PoE power of up to 30W. The PoE ports support a watchdog function; if a port experiences a communication failure, the corresponding port's PoE will automatically restart, restoring network communication without affecting the normal operation of other ports, effectively reducing manual intervention and maintenance costs. It can power PoE terminal devices such as wireless APs, network cameras, VoIP phones, and video intercoms via Ethernet cables, meeting the needs of network environments requiring high-density/high-power PoE power supply. It is suitable for small and medium-sized enterprises such as hotels, campuses, industrial parks, government and enterprise units, banks, hospitals, communities, and factories to build cost-effective networks. Plug and play, no configuration, easy to use.

FEATURE

■ Gigabit access, uplink RJ45/ SFP fiber port

- ◇ Support non-blocking wire-speed forwarding for smoother transmission.
- ◇ Support full-duplex based on IEEE802.3x and half-duplex based on Backpressure.
- ◇ Provide Gigabit RJ45 ports and uplink RJ45/SFP fiber port for flexible networking and meets the networking requirements of various scenarios.

■ Smart PoE power supply

- ◇ 4*10/100/1000Base-T RJ45 ports support PoE power supply, meeting the PoE power supply needs of various scenarios in the security field.
- ◇ Compliant with PoE standards, backward compatible, automatically identifies PoE devices, and supplies power without damaging non-PoE devices. Port 1 have a max PoE output power of 60W per port. Port 2-4 have a max PoE output power of 30W per port.

■ Innovative function

- ◇ **PoE watchdog:** The watchdog function is enabled by default for port 1-4, which can automatically detect the data communication status in real-time. When the port communication fails, the corresponding port PoE will automatically restart.
- ◇ **Long distance + VLAN mode (E):** When the switch is turned to ON (default OFF), the rate of ports 1-4 is 10M, and the maximum transmission distance is up to 250 meters. At the same time, the physical VLAN isolation function of ports 1-4 is enabled.

■ Stable and reliable

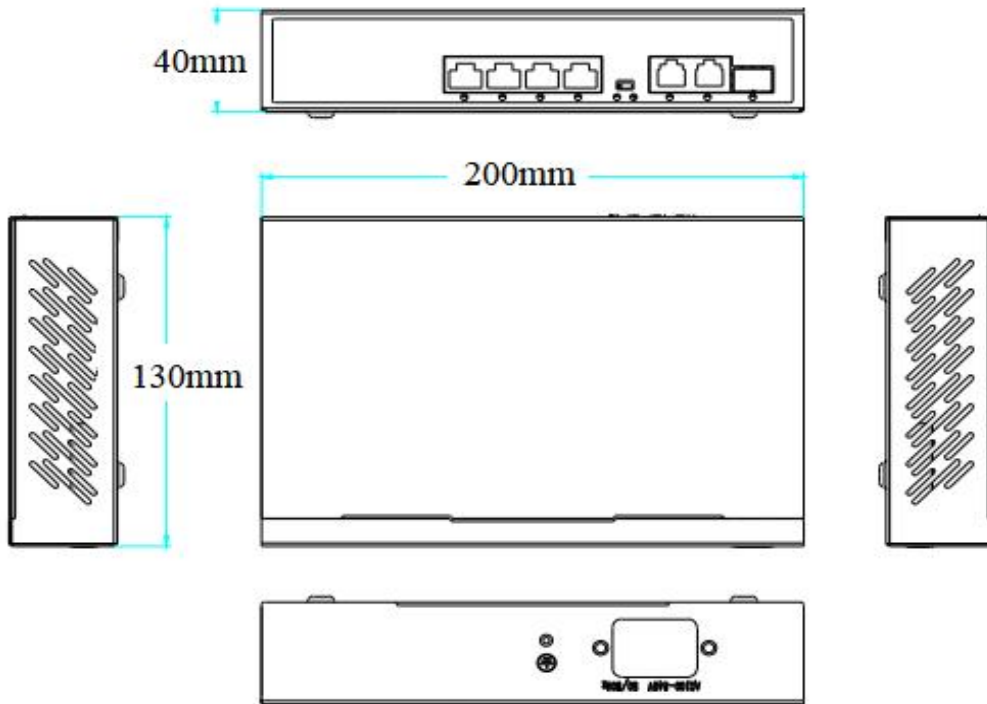
- ◇ CE, FCC, RoHS.
- ◇ Plug and play, no configuration, simple and convenient.
- ◇ The user-friendly panel can show the device status through the LED indicators of PWR, Link, and PoE.
- ◇ Low power consumption, galvanized steel housing, and excellent heat dissipation to ensure the stable operation of the switch.

TECHNICAL SPECIFICATION

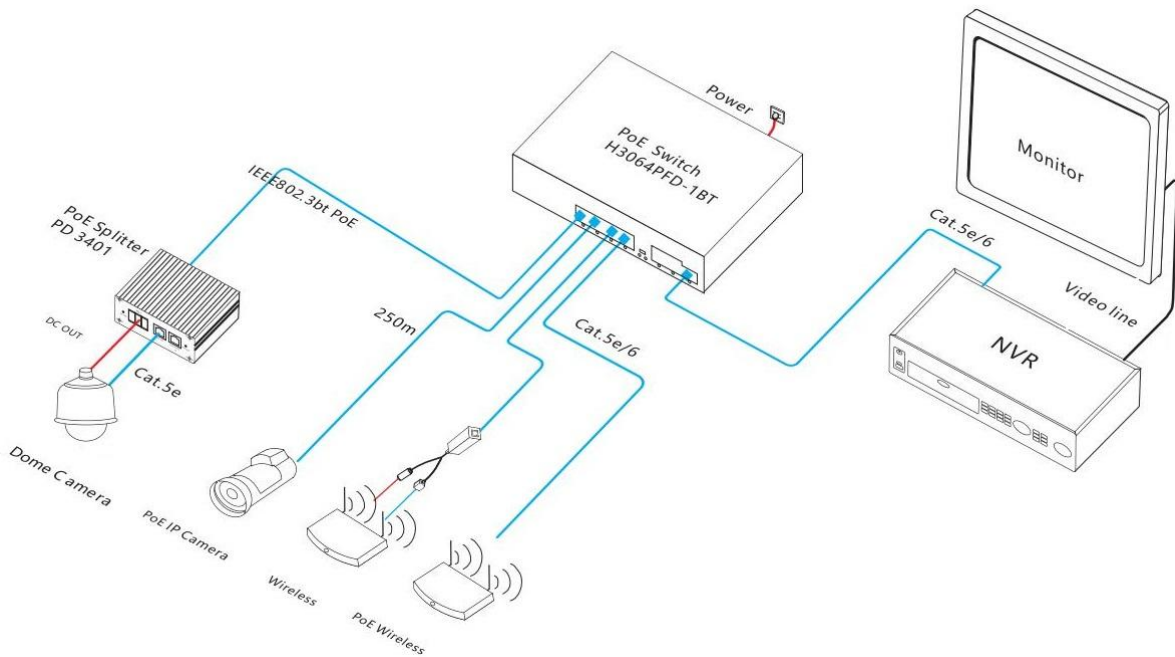
Model	ONV-H3064PFD-1BT
Interface Characteristics	
Fixed Port	1*1000Base-X uplink SFP fiber port (Data) 2*10/100/1000Base-T uplink RJ45 ports (Data) 3*10/100/1000Base-T PoE ports (Data/ Power) 1*10/100/1000Base-T bt PoE port (Data/ Power)
Ethernet Port	Port 1-6 can support 10/100/1000Base-T(X) auto-sensing, full/ half duplex MDI/ MDI-X self-adaption
Twisted Pair Transmission	10BASE-T: Cat3,4,5 UTP (≤250 meters) 100BASE-TX: Cat5 or later UTP (≤100 meters) 1000BASE-T: Cat5e or later UTP (≤100 meters)
Optical Fiber Port	Gigabit optical fiber interface, default does not include optical module (optional single-mode/ multi-mode, single fiber/ dual fiber optical module, LC)
Optical Cable/ Distance	Multi-mode: 850nm/ 0-550m, Single-mode: 1310nm/ 0-40km, 1550nm/ 0-120km
Function Switch	E file: Long distance transmission and VLAN isolation function, Default-OFF, enable-ON, when opening, port 1-4 support 10M/250 meter transmission and VLAN isolation
Chip Parameter	
Network Protocol	IEEE802.3 10BASE-T, IEEE802.3i 10Base-T, IEEE802.3u 100Base-TX, IEEE802.3ab 1000Base-T, IEEE802.3z 1000Base-X, IEEE802.3x
Forwarding Mode	Store and forward (Full wire speed)
Switching Capacity	14Gbps (non-blocking)
Forwarding Rate@64byte	10.42Mpps
MAC	2K
Buffer Memory	2M

Jumbo Frame	9.2K
LED Indicator	Power: PWR (Green), Function switch: Extend (Green), Network: Link (Green), PoE: PoE (Red)
PoE& Power Supply	
PoE Port	Port 1 support PoE++ power, Port 2-4 support PoE+ power
Power Supply Pin	Port 1 default 1/2,4/5(+), 3/6,7/8(-), Port 2-4 default 1/2(+) 3/6(-)
Max Power Per Port	60W, PoE++
Total PWR/ Input Voltage	65W/ (AC100-240V)
Power Consumption	Standby<3W, full load<65W
Power Supply	Built-in power supply, AC100~240V 50-60Hz, 1.0A
Physical Parameter	
Operation Temp/ Humidity	-20~+55°C, 5%~90% RH non-condensing
Storage Temp/ Humidity	-40~+80°C, 5%~95% RH non-condensing
Dimension (L*W*H)	200*130*40mm
Net /Gross Weight	0.6kg/ 0.9kg
Installation	Desktop, Wall mount
Certification& Warranty	
Lightning Protection	Lightning protection: 4KV 8/20us, Protection level: IP30
Certification	CE mark, commercial, CE/LVD EN62368-1, FCC Part 15, RoHS
Warranty	1 year, lifelong maintenance

DIMENSION



APPLICATION



ORDERING INFORMATION

Model	Description	Built-in Power Supply
ONV-H3064PFD-1BT	PoE switch with 6*10/100/1000M RJ45 ports and 1*1000Base-X uplink SFP fiber ports. Port 1-4 default support PoE watchdog (auto-restart PoE). Adjustment function switch, Port 1-4 support 10M/250 meter transmission and VLAN isolation. Built-in power supply.	52V/65W

Note: The optical module and mounting ear are not included and need to be purchased.

PACKING LIST

	Content	Qty	Unit
Packing List	7-port Gigabit PoE switch	1	PC
	AC Power Line	1	PC
	User Guide	1	PC
	Warranty Card and Certificate of Conformity	1	PC

OPTICAL MODULE

Product	Model	Description	Unit
1.25G Optical Module	2630	SFP optical module, 1.25G multi-mode dual fiber 850nm, transmission distance: 0.55km, 2*LC interface. supports DDM function and hot plugging.	PC
	2632	SFP optical module, 1.25G single-mode dual fiber 1310nm, transmission distance: 20km, 2*LC interface. supports DDM function and hot plugging.	PC
	2612-T	SFP optical module, 1.25G single-mode single fiber TX1310nm,	PC

		transmission distance: 20km, LC interface. supports DDM function and hot plugging.	
	2613-R	SFP optical module, 1.25G single-mode single fiber TX1550nm, transmission distance: 20km, LC interface. supports DDM function and hot plugging.	PC
Power Module	2633	1.25G SFP optical module transfers to 10/100/1000M RJ45 port.	PC

CONTACT US



Optical Network Video Technologies (Shenzhen) Co., Ltd.

Tel: 0086-755-33376606

Fax: 0086-755-33376608

WeChat: ONV-PoE-IoT

Email: onv@onv.com.cn

Skype: onv@onv.com.cn

Teams: onv@onv.com.cn

Website: www.onvcom.com

Headquarter Address: Room 1003, Block D, Terra Building, Futian District, Shenzhen

Factory Address: Building B3, Galaxy Artificial Intelligence Industrial Park, No. 333, Zhongkai 6th Road, Chenjiang Street, Zhongkai High-tech Zone, Huizhou

